

Embrace Inline

EMB-2-6X3-S

EMB-2-8X3-S

EMB-2-12X3-S

Embrace™ Fabric Backwalls can be connected together easily with a simple clamp system to create 15ft, 20ft, and 30ft inline backwall displays. Embrace displays feature seamless, clean, crisp lines due to the push-fit fabric graphics that hug the collapsible frame. Embrace Inline Kits include your choice of either single or double-sided graphics and also the choice of front or full fitted graphics with end caps. The graphic is one, long piece!



features and benefits:

- Lightweight straight collapsible white frame
- Stabilizer feet included
- Perimeter channel bars connect to frame and hold push-fit fabric graphics
- Simple assembly
- Premium opaque fabric graphic with SEG beading offered with or without end caps
- Multiple carry bags and light clips included for most units
- Lifetime hardware warranty against manufacturer defects

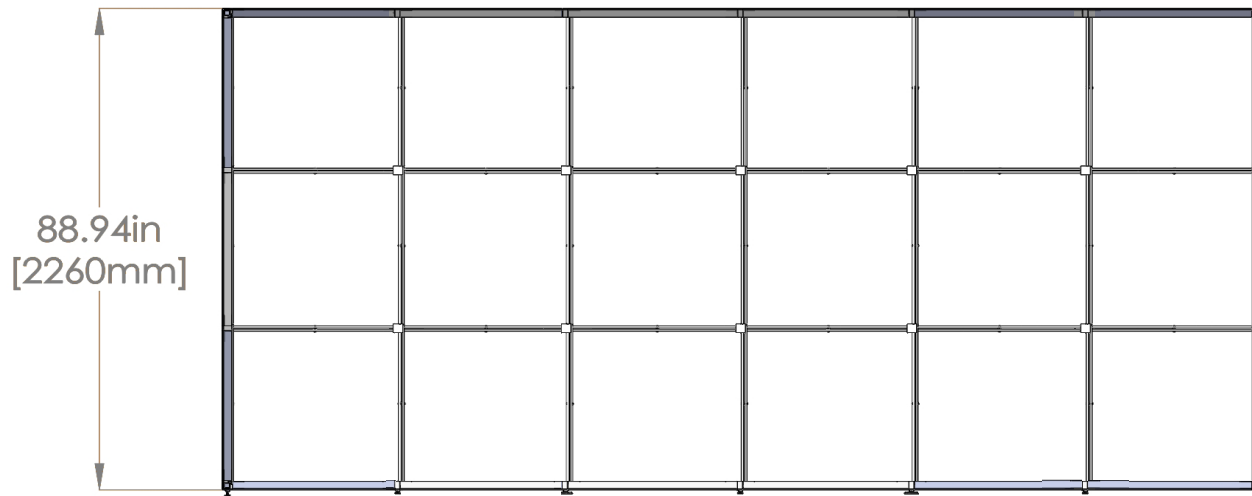
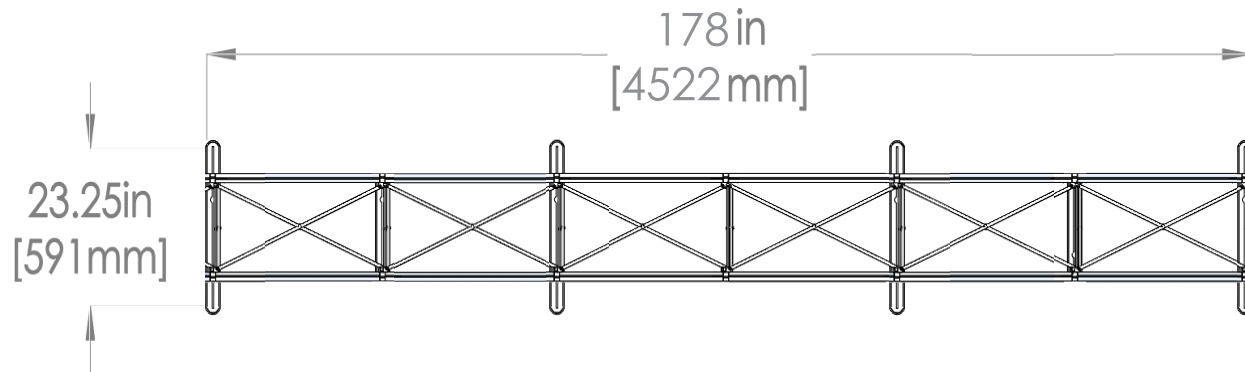
dimensions:

Hardware	Graphic
<p>Assembled unit:</p> <p>6X3: 178" w x 88.94" h x 23.25" d 4522mm(w) x 2260mm(h) x 591mm(d)</p> <p>8X3: 230.31" w x 88.94" h x 23.25" d 5850mm(w) x 2260mm(h) x 591mm(d)</p> <p>12X3: 345.47" w x 88.94" h x 23.25" d 8775mm(w) x 2260mm(h) x 591mm(d)</p> <p>Approximate weight:</p> <p>6X3: 80 lbs / 37 kg</p> <p>8X3: 96 lbs / 44 kg</p> <p>12X3: 147 lbs / 67 kg</p>	<p>Refer to related graphic template for more information.</p> <p>One year warranty.</p> <p>Visit: www.exhibitors-handbook.com/graphic-templates</p>
<p>Shipping</p> <p>Shipping dimensions:</p> <p>6X3 and 8X3: 2 Boxes 12X3: 3 Boxes</p> <p>39" l x 15" h x 11" d 991mm(l) x 381mm(h) x 280mm(d)</p> <p>Approximate total shipping weight:</p> <p>6X3: 84 lbs / 39 kg</p> <p>8X3: 100 lbs / 46 kg</p> <p>12X3: 153 lbs / 70 kg</p>	<p>additional information:</p> <p>Graphic material: Dye-sublimation SEG push-fit fabric</p> <p>*Lights sold separately, not included.</p> <p>Do not attempt to connect frames lying on the floor. Frames must always be upright when assembling.</p>

We are continually improving and modifying our product range and reserve the right to vary the specifications without prior notice. All dimensions and weights quoted are approximate and we accept no responsibility for variance. E&OE. See Graphic Templates for graphic bleed specifications.

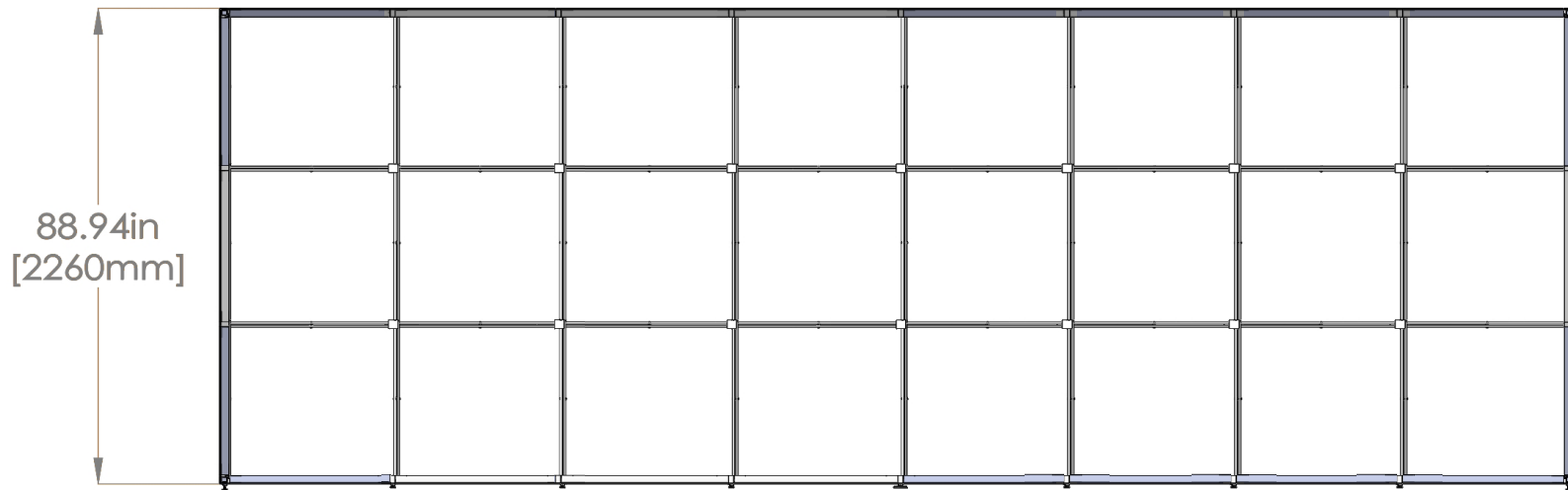
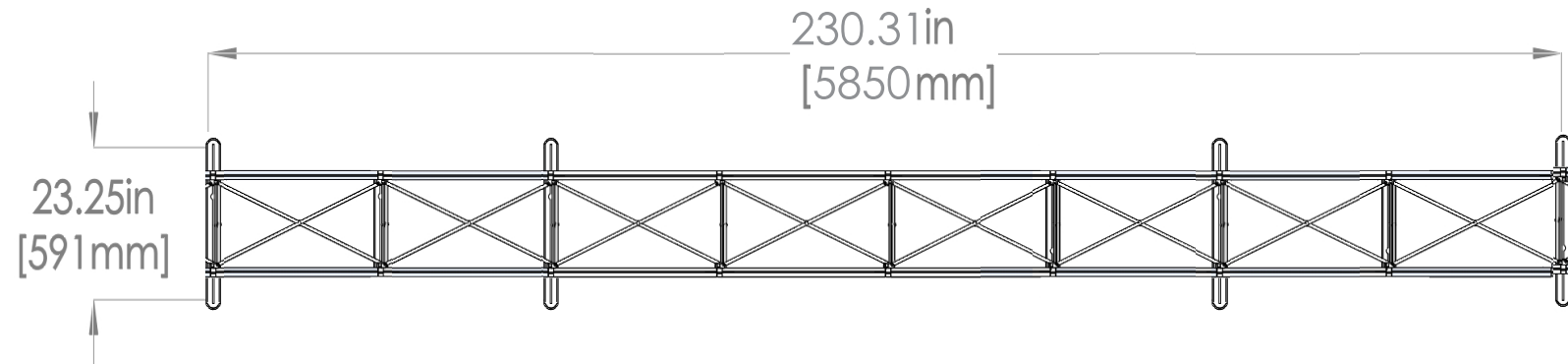
Dimensions

EMB-2-6X3-S



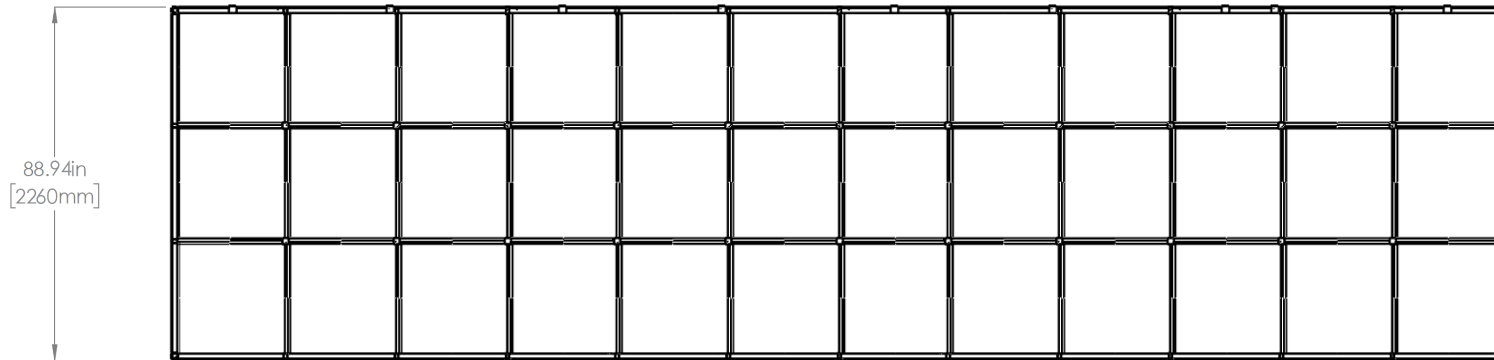
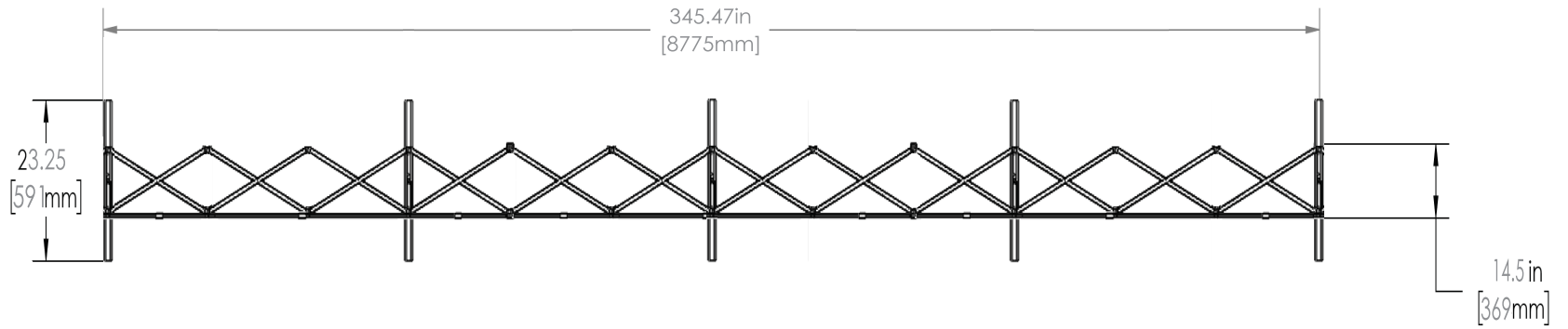
Dimensions

EMB-2-8X3-S



Dimensions

EMB-2-12X3-S



Embrace - Included In Your Kit

Linking Instructions

6x3

QTY

- 16 - Channel Bars (EMB-2-CB-3)
- 4 - Embrace Foot (EMB-2-FOOT)
- 6 - Straight Connector (EMB-SL-CONNECTOR)

12x3

QTY

- 12 - Channel Bars (EMB-2-CB-3)
- 12 - Channel Bars (EMB-2-CB-4)
- 5 - Embrace Foot (EMB-2-FOOT)
- 12 - Straight Connector (EMB-SL-CONNECTOR)

8x3

QTY

- 8 - Channel Bars (EMB-2-CB-3)
- 4 - Channel Bars (EMB-2-CB-4)
- 4 - Embrace Foot (EMB-2-FOOT)
- 6 - Straight Connector (EMB-SL-CONNECTOR)

*** Quantity required shown. Assembled units may leave additional unused hardware.**

Embrace - Graphic Options

Linking Instructions

EMB-6x3-SF-G



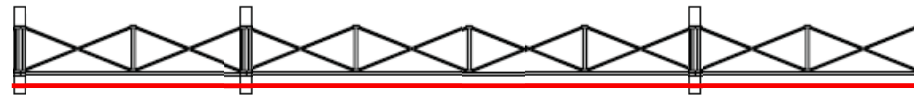
SINGLE FRONT SIDE GRAPHIC

EMB-6X3-SFEC-G



SINGLE FRONT SIDE GRAPHIC WITH ENDCAPS

EMB-8x3-SF-G



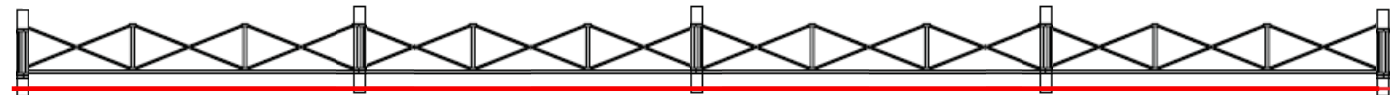
SINGLE FRONT SIDE GRAPHIC

EMB-8X3-SFEC-G



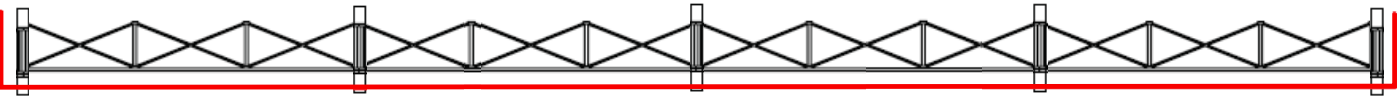
SINGLE FRONT SIDE GRAPHIC WITH ENDCAPS

EMB-12X3-SF-G



SINGLE FRONT SIDE GRAPHIC

EMB-12X3-SFEC-G

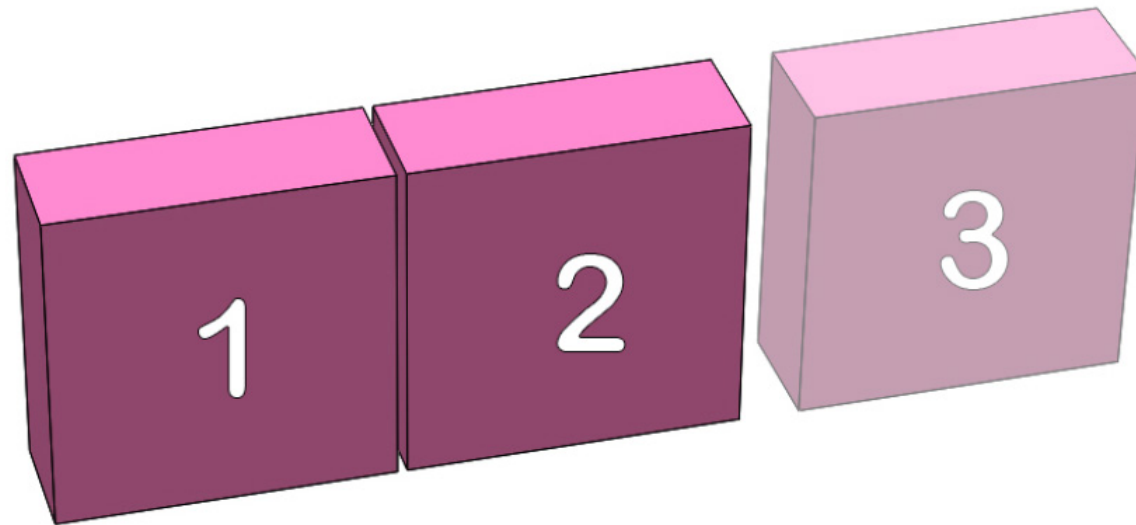


SINGLE FRONT SIDE GRAPHIC WITH ENDCAPS

Embrace - Build Sequence

Linking Instructions

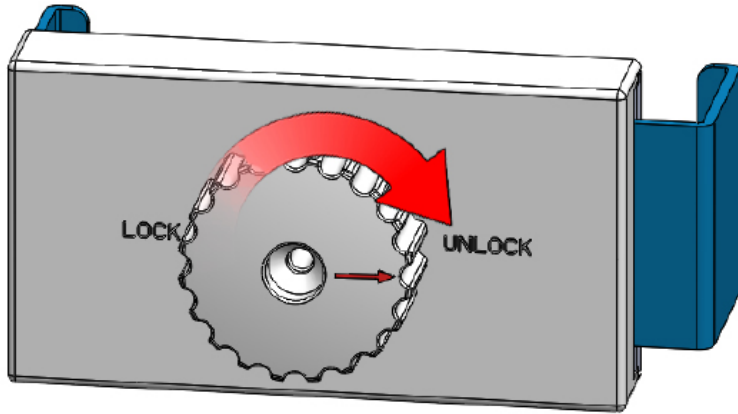
For safety best practice, follow this sequence of assembly steps.



Embrace

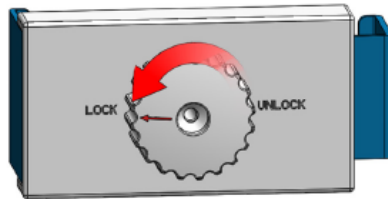
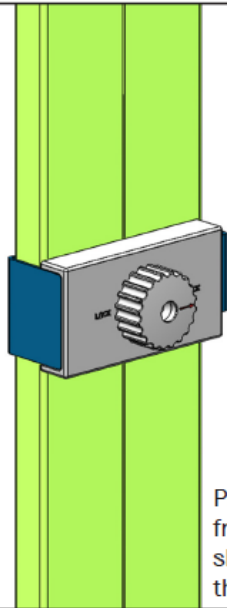
Linking Instructions

1

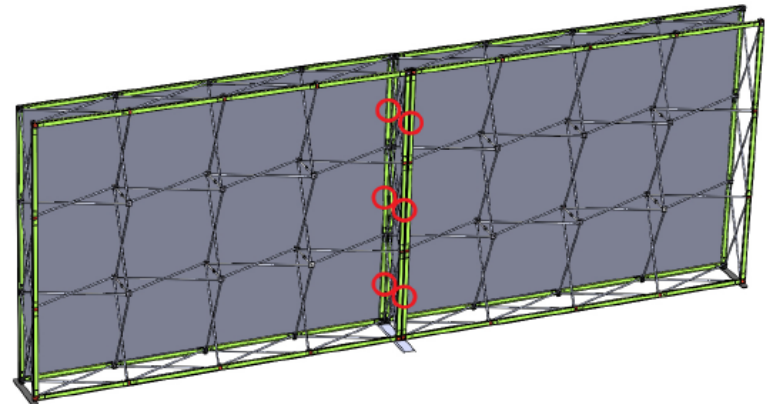


Prepare your straight connectors by setting them to the "Unlock" position as shown.

2

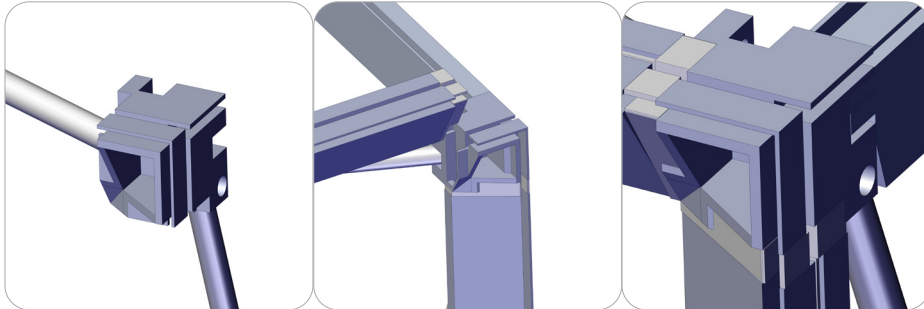


Place your Straight Connectors onto each quadrant, both front and back of the units, on the INSIDE of the frame as shown in the figure right. Lock each connector by setting the knob to the "Lock" position as shown.



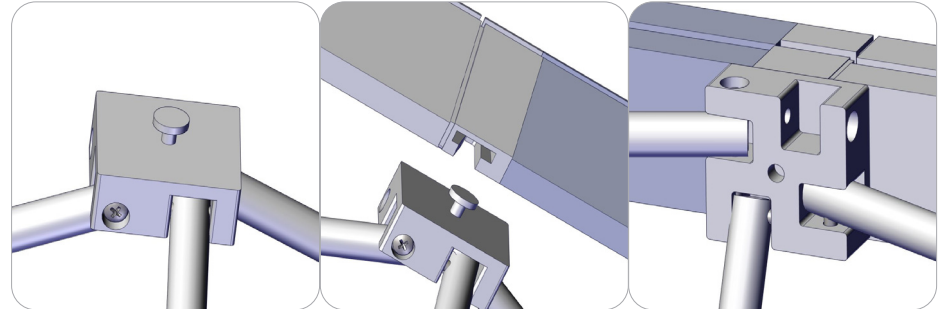
Connection Methods & Notes

Connection Method 1: Corner Hub & End Cap



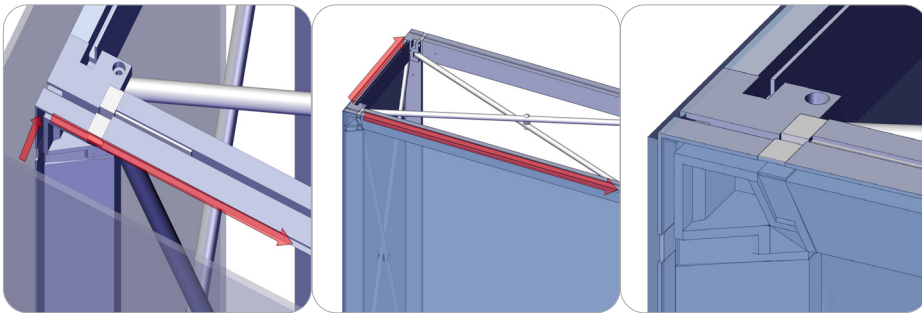
The scissor frames will have this corner hub installed on all four corners, front and back of the frame. This corner hub takes the end caps of the channel bars. The end caps of the channel bar will snap into place.

Connection Method 2: Middle Hub & Middle Cap

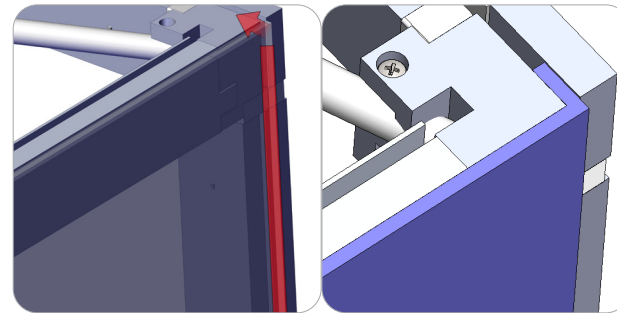


The scissor frames will have middle hubs with a metal prong installed on all four sides front and left and right sides of back. Attach the middle caps of the channel bars onto the middle hubs. The middle caps of the channel bar will snap into place.

Connection Method 3: Silicon Edge Graphics



To apply the silicone edge graphic, start by pressing the SEG into the top left corner hub of the frame. Continue to press the SEG into the extrusion bar fabric channel. Keep pressing the SEG into the bar fabric channel until you make down to the bottom right corner hub of the frame. This also works for the second printed graphic option on the back side of the frame when horizontal channel bars are installed.



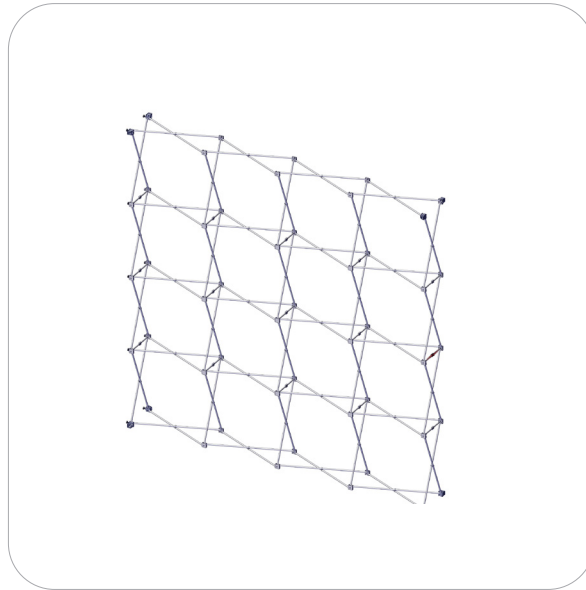
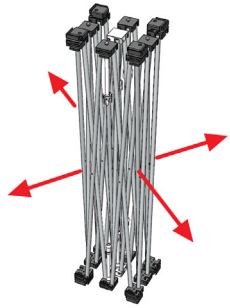
As an optional feature, the front printed graphic may have end cap graphics with silicone edge. Pull the end cap silicone edge to the top of the back corner hub. Start to press in the SEG into the hub and work your way down the side channel. Do the same for the opposite end cap.

Kit Assembly

Step by Step

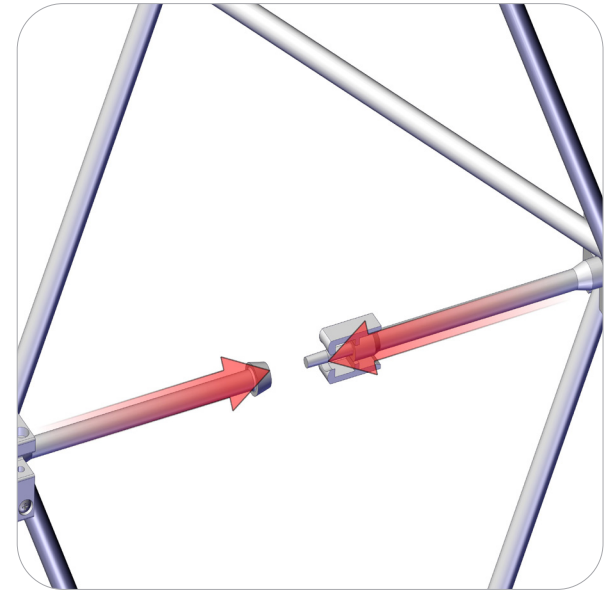
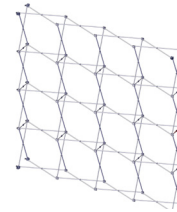
Step 1.

Begin with the scissor frame, expand it flat out on the floor.



Step 2.

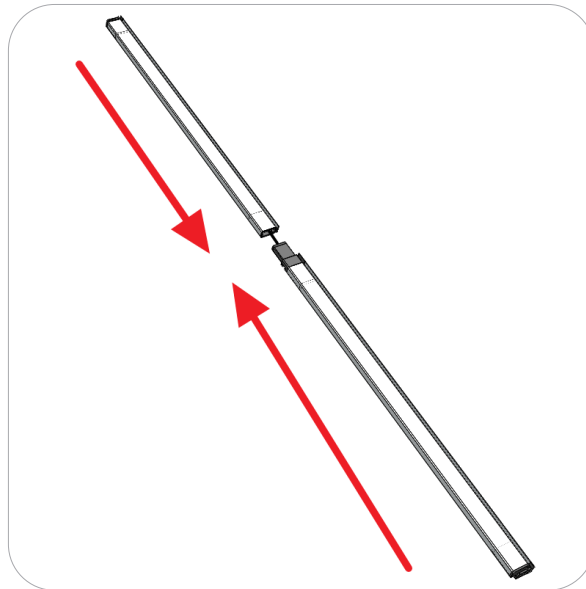
With the frame flat on the floor, snap all the locking arms into place. The side with the dove tail hub design is the bottom of the frame.



Step 3.

Gather all the bungee channel bars and slide them together.

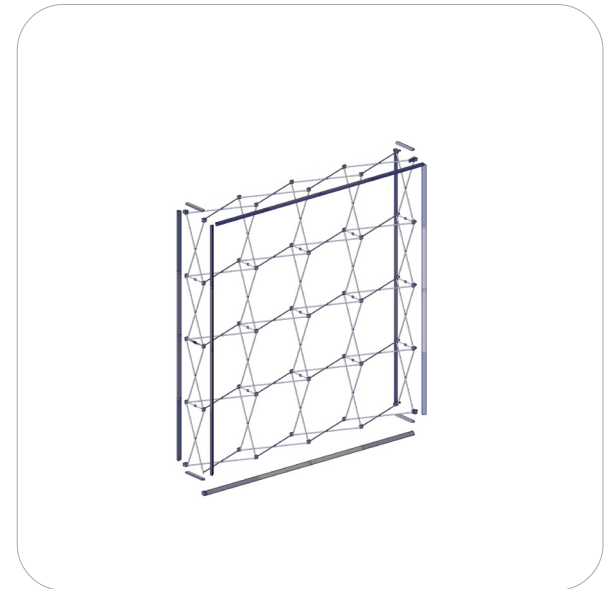
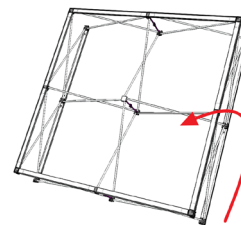
EMB-2-CB-1 (Non-Bungee)
EMB-2-CB-2 (Shown)
EMB-2-CB-3
EMB-2-CB-4
EMB-2-CB-5



Step 4.

With the frame laid out flat on the floor, carefully attach the channel bars onto the front and back side of the frame. You can stand the frame upright without the stabilizing bases if your frame is 2 quads high or less.

Reference Connection Method(s) 1 and 2 for more details.

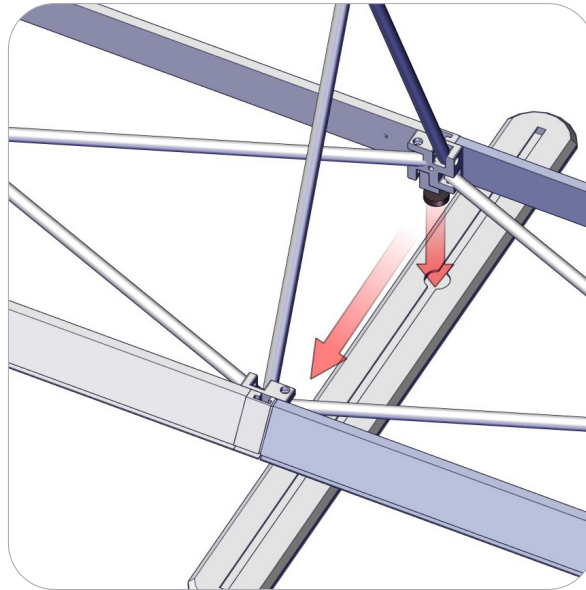
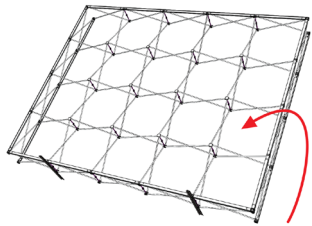


Kit Assembly

Step by Step

Step 5.

Attach the stabilizing bases on the frames that are 3 quads high or taller. Secure them in place while you stand the frame upright.

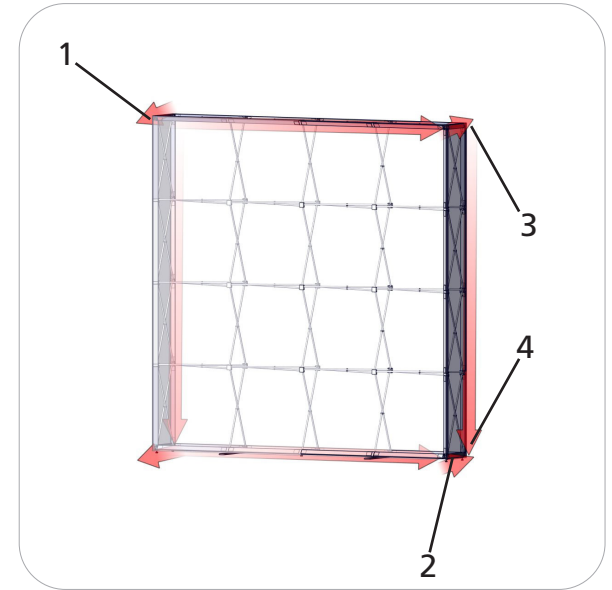


Step 6.

First, take the front graphic with end caps and attach it to the frame. Start at point 1 and work the silicon edge into the channel bars ending at point 2.

Then, take the end cap and fold it back towards the back channel starting at point 3. Work the silicon edge down to point 4. Do the same for the opposite end cap.

Reference Connection Method(s) 3 for more details.

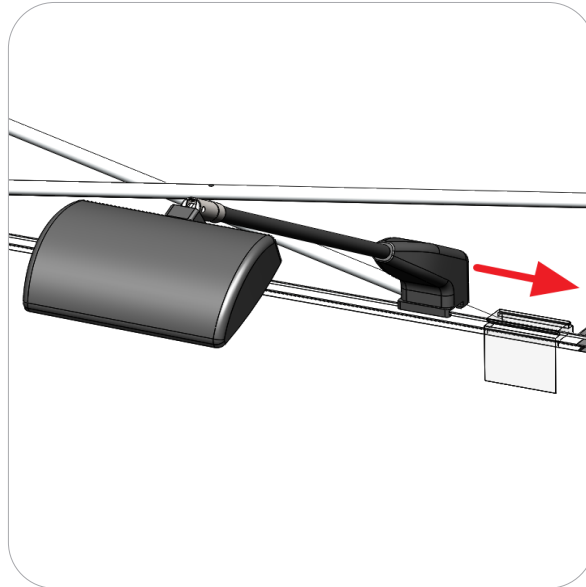
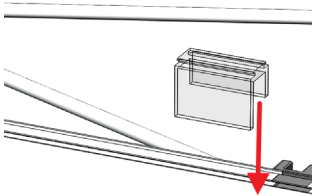


Step 7.

Optional spot light clip setup.

First, slide the light clip onto the frame top channel. Place it symmetrically centered. Next, slide the light onto the clip.

Spot lights sold separately.



Step 8.

Setup is complete.

