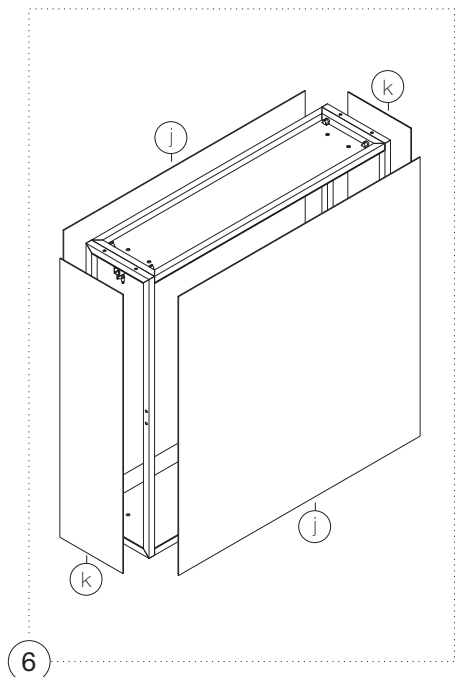
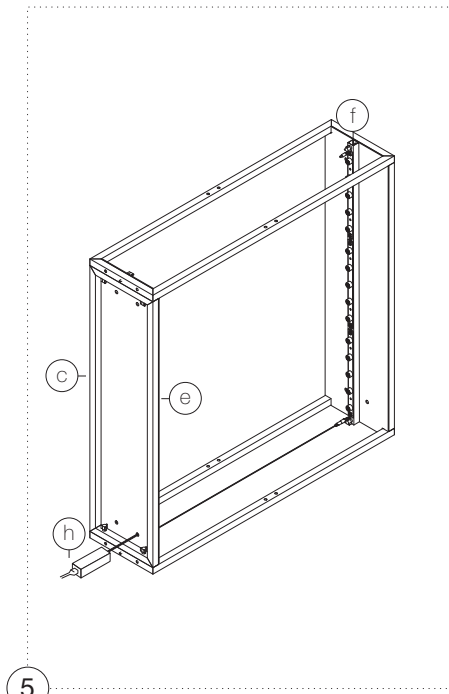
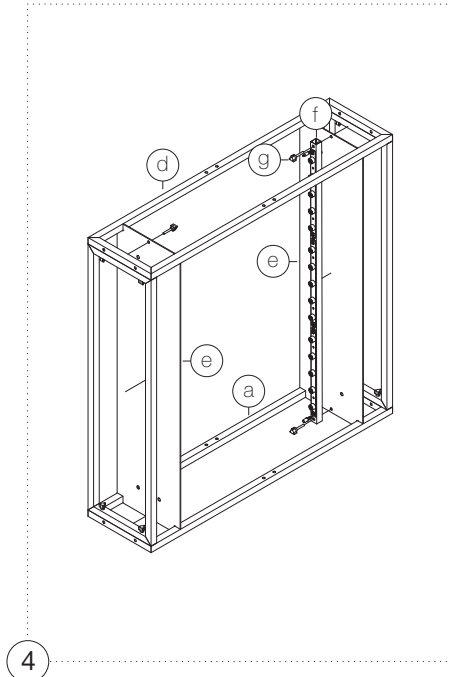
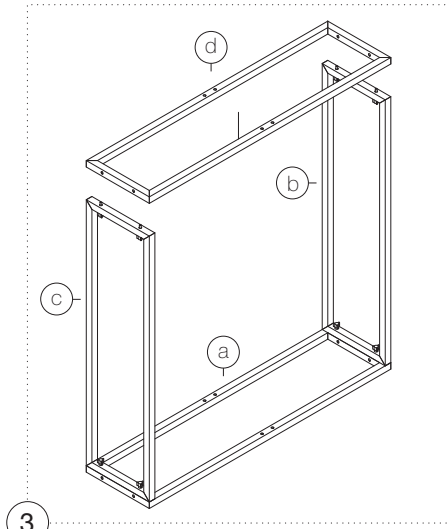
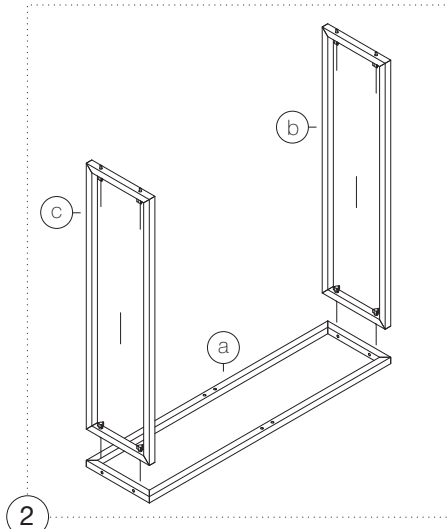
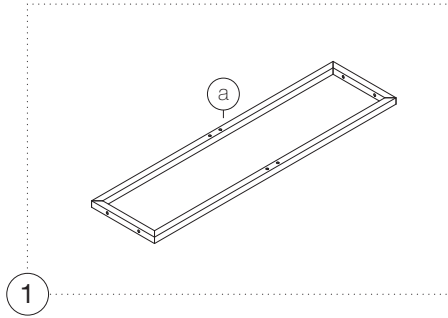


- 1 Lay one vertical frame (a) on the ground.
- 2 Attach the top (b) and bottom (c) horizontal frames to the vertical frame (a), making connections where the stickers match.
- 3 Attach the other vertical frame (d) to the other side of the horizontal frames (b, c).
- 4 Attach the reflectors (e) and lightbar (f) to the ends of the vertical frames (a, d) using the thumbscrews (g) provided.
- 5 Connect the power supply (h) to the female end of the lightbar (f) attached to the bottom horizontal frame (c) by threading the cord through the hole in the reflector (e).
- 6 Stand the frame upright and plug the power supply into an outlet. Apply the backlit graphics (j) and side panels (k) to the outside of the frame.



Final Assembly

