

# Vector Frame Kit 24

## VF-K-24

The innovative, contemporary and clean appearance of the Vector Frame™ line of exhibit kits will captivate your audience. Kits feature push-fit fabric graphics, easy-to-assemble extrusion frames, accent lighting, tables, counters, literature accessories, monitor mounts and interior LED edge lighting where indicated.



## features and benefits:

- 50mm silver extrusion frame
- Single-sided SEG dye-sublimated push-fit fabric graphics
- Counters available in four thermoform finishes, shown below
- Max monitor weight = 25 lbs / 11.3 kgs
- Kit includes frame, four fabric graphic panels, two fabric graphic counters, two monitor mounts, two 120 watt lights, and three wheeled molded cases
- Lifetime hardware warranty against manufacturer defects

## dimensions:

### Hardware

Assembled Unit:  
219.5" w x 102" h x 22.25" d  
5575mm(w) x 2591mm(h) x 565mm(d)

Counter 03:  
38.5" w x 40.5" h x 19.88" d  
978mm(w) x 1029mm(h) x 505mm(d)

### Shipping

Shipping Dimensions - ships in 3 cases:  
Three OCH2 cases:  
52" l x 29" h x 15" d  
1321mm(l) x 737mm(h) x 381mm(d)

Approximate shipping weight (entire kit):  
325.34 lbs / 147.57 kgs

### Graphic

Refer to related graphic templates for more information

Visit: [www.exhibitors-handbook.com/graphic-templates](http://www.exhibitors-handbook.com/graphic-templates)

## additional information:

Graphic material:  
Dye-sublimated fabric

Tabletop color options:



silver



black



mahogany



natural

Lights included: Lumina 200 120 watt floodlight, curved arm, black finish, 19.5" from end to end

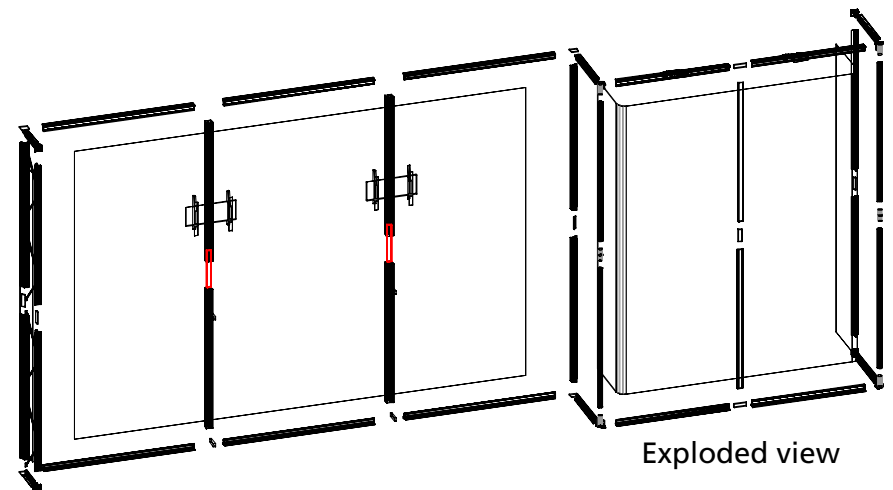
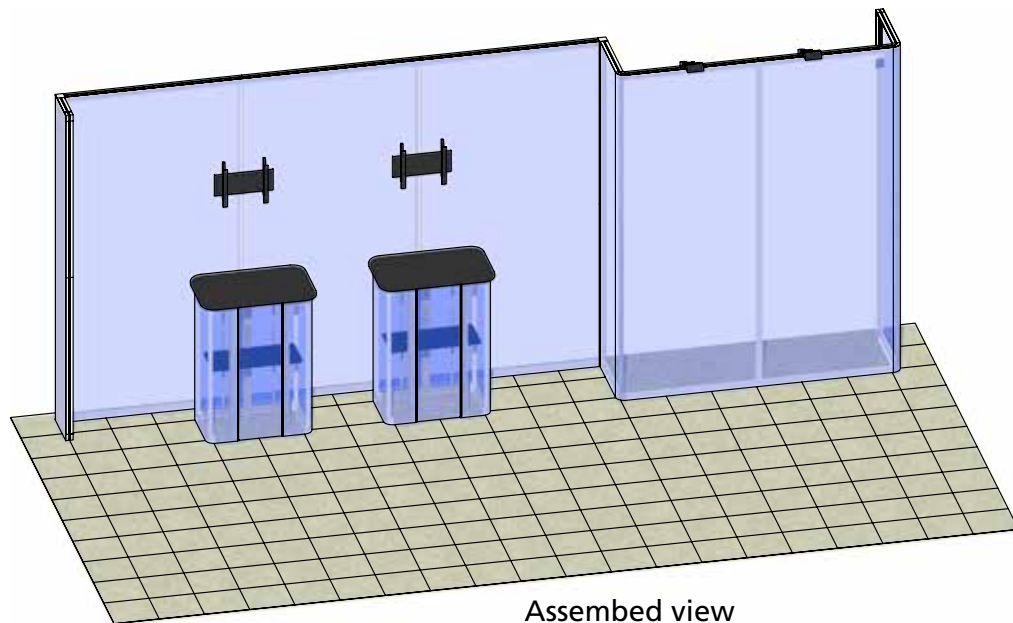
Monitors not included; Max monitor weight = 25 lbs / 11.3 kgs

Counter max weight = 50 lbs / 22.68 kgs

We are continually improving and modifying our product range and reserve the right to vary the specifications without prior notice. All dimensions and weights quoted are approximate and we accept no responsibility for variance. E&OE. See Graphic Templates for graphic bleed specifications.

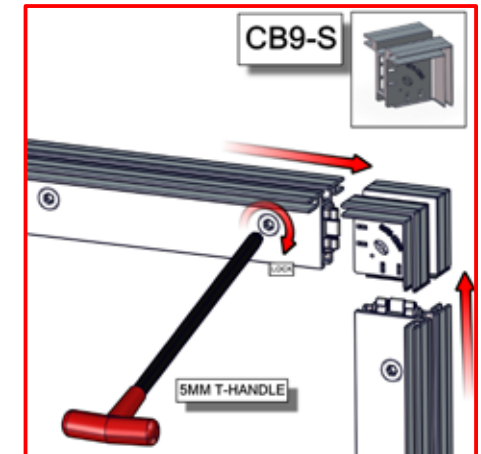
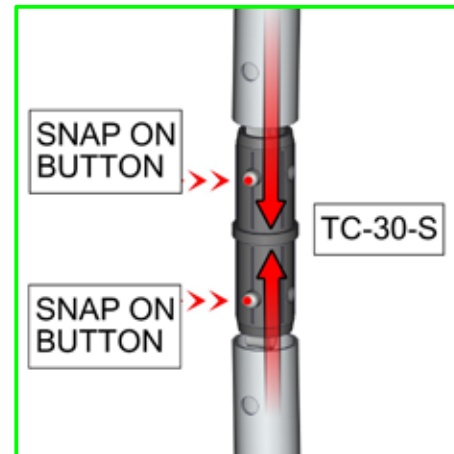
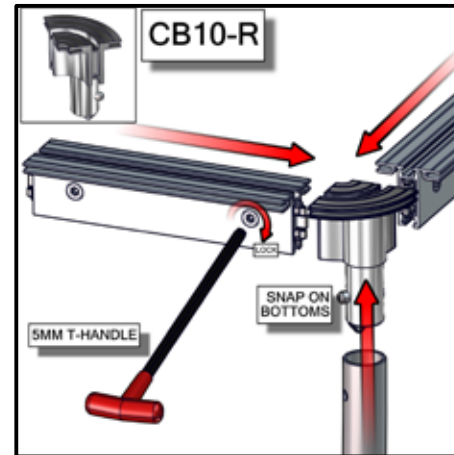
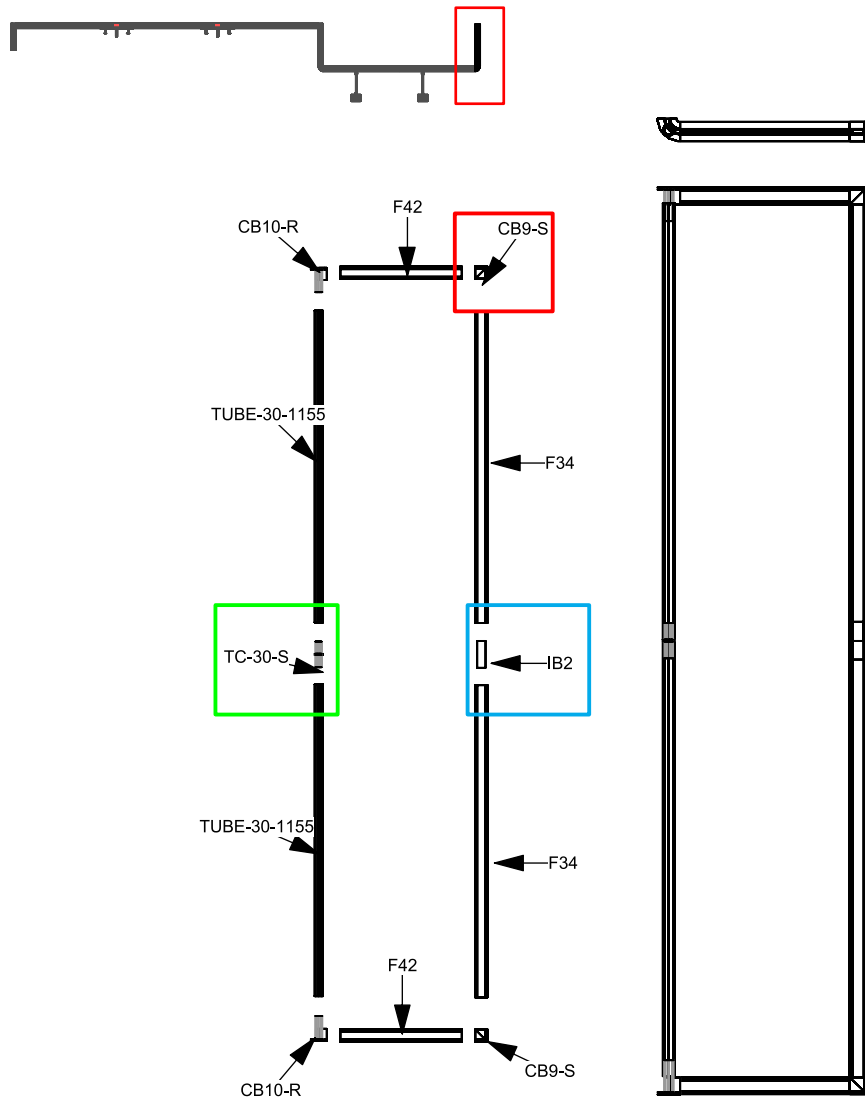
Parts Included:

Code	Qty	Description
VF-K-16-A-G	x1	300MM (11.81")W X 2400MM (94.5")H FABRIC GRAPHIC W/FCE-2 ALL SIDES
VF-K-16-B-G	x1	260MM (10.25")W X 2400MM (94.5")H FABRIC GRAPHIC W/FCE-2 ALL SIDES
VF-K-16-C-G	x1	3600MM (141.73")W X 2400MM (94.5")H FABRIC GRAPHIC W/FCE-2 ALL SIDES
VF-K-16-D-G	x1	2825MM (111.25")W X 2400MM (94.5")H FABRIC GRAPHIC W/FCE-2 ALL SIDES
PMFC2-90-CAP	x4	PMFC2 90 DEGREE EXTRUSION CAP
STS-1	x8	SLIM TRUSS SPACER
MM-MB	x2	MEDIUM MONITOR BRACKET FOR MONITORS 15" - 40"
LUM-200-ORL-B LN-3P-LT-FXT	x2	BLACK 200W HALOGEN LIGHT FIXTURE ETL APPROVED
IB2	x7	PH INLINE CONNECTOR
CB9-S	x4	50MM SQUARE PHCF2 CORNER BRACKET
CB9-R	x4	50MM ROUND PHCF2 CORNER BRACKET
CB9	x4	CB9 CORNER BRACKET
F22	x4	1193MM (46.97") PMFC2-90 EXTRUSION - WITH IB2 LOCK HOLES BOTH SIDES
F30	x4	1200MM (47.24") PHFC2 EXTRUSION WITH IB2 HOLE ONE SIDE - WITH LOCK ONE END
F32	x2	1200MM (47.24") PHFC2 EXTRUSION WITH IB2 HOLE TWO SIDES
F34	x4	1155MM (45.47") PHFC2 EXTRUSION WITH IB2 HOLE ONE SIDE - WITH LOCK ONE END
F37	x4	900MM (35.43") PHFC2 EXTRUSION WITH IB2 HOLE ONE SIDE - WITH LOCK ONE END
F42	x4	450MM (17.72") PHFC2 EXTRUSION WITH IB2 HOLE ONE SIDE - WITH LOCK ONE END
F44	x2	210MM (8.28") PHFC2 EXTRUSION WITH LOCKS TWO ENDS
TUBE-30-1155	x4	1155MM X 30MM TUBE WITH ES30 HOLES BOTH ENDS
TC-30-S	x2	INLINE CONNECTOR FOR 30 TUBING
VE-45	x2	PH4SC-300MM (11.81") EXTRUSION WITH TENSION GLIDES
VE-67	x4	1155MM (45.47") 50MM PM2S SQUARE EXTRUSION WITH STOP AT 155MM WITH LOCK ONE END
VE-76	x4	100MM (3.94") PH1 EXTRUSION WITH LOCKS TWO ENDS
VE-85	x2	1155MM LENGTH OF PH1 EXTRUSION - WITH IB2 LOCK HOLES ONE SIDE - SLIDE LOCK ONE SIDE



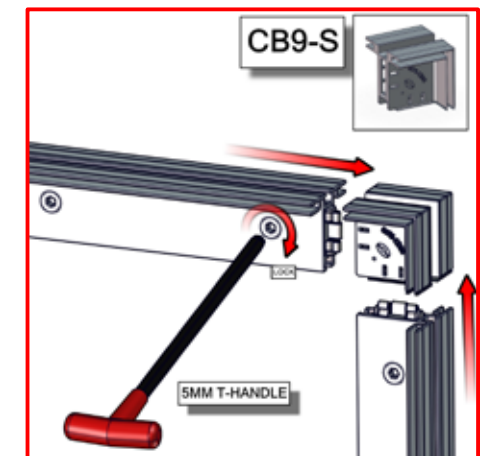
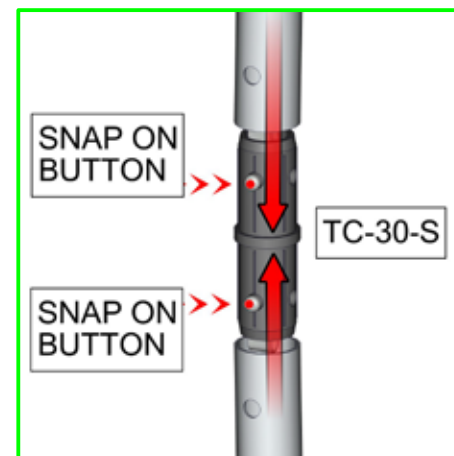
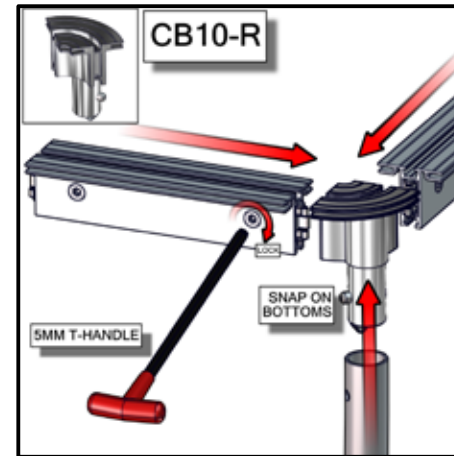
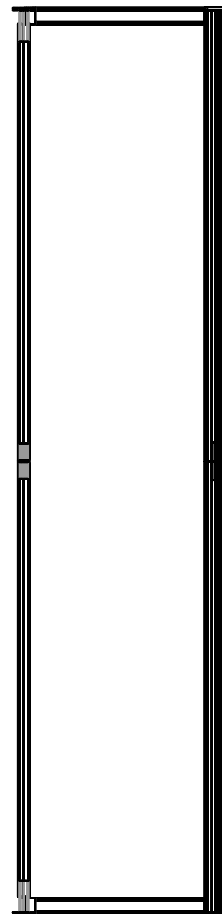
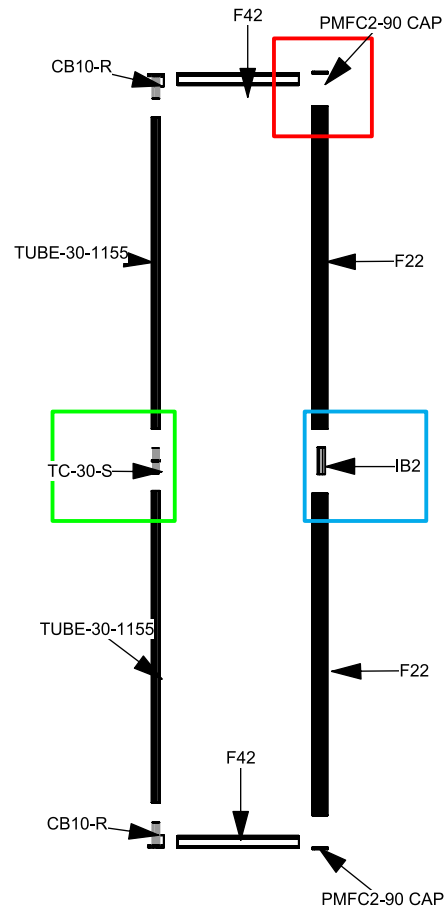
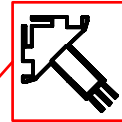
## Step 1: Assemble Right End Frame

Arrange pieces on the floor as shown in the diagram below. Assemble frame by locking CB9-R's and CB9-S's to the F42s and F34. Press snap on button to lock TUBE-30-1155 to CB10-R on top and bottom. When locking be sure to turn each cam a little bit and then go back and tighten to the proper tension. Take care to turn locks only half a turn. Slide the IB2 into the extrusion to connect side. Tighten to the proper tension to lock extrusions together.



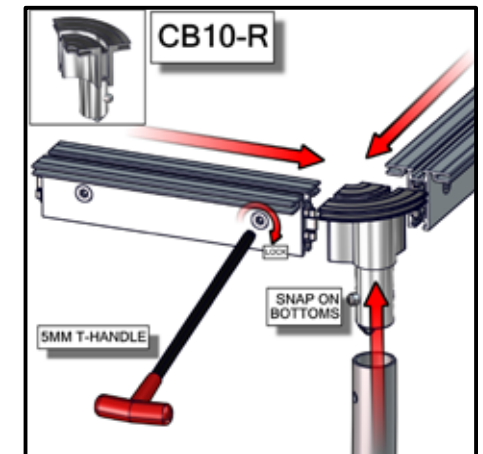
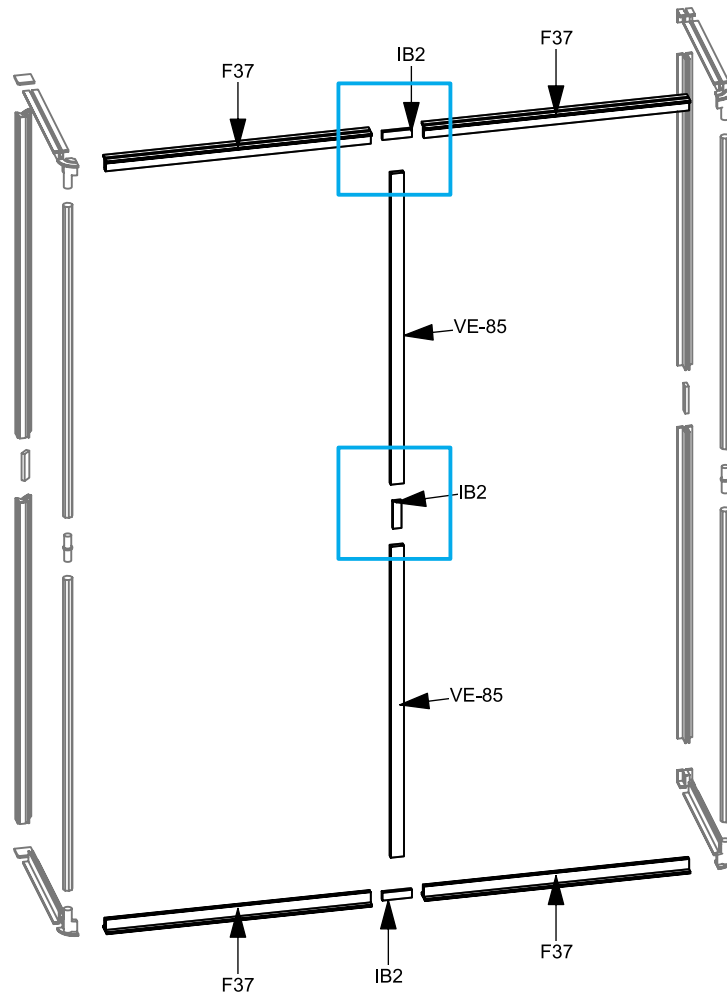
## Step 2: Assemble Middle Frame

Arrange pieces on the floor as shown in the diagram below. Assemble frame by locking CB9-R's and CB9-S's to the F42s and F22. Press snap button to lock TUBE-30-1155 to CB10-R on top and bottom. When locking be sure to turn each cam a little bit and then go back and tighten to the proper tension. Take care to turn locks only half a turn. Slide the IB2 into the extrusion to connect side. Tighten to the proper tension to lock extrusions together.



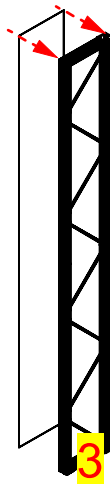
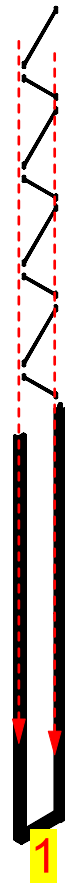
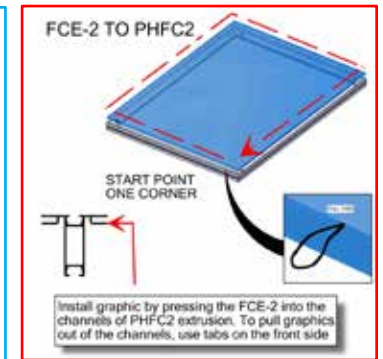
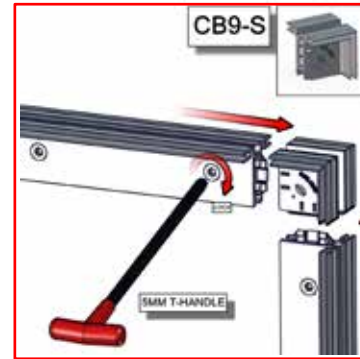
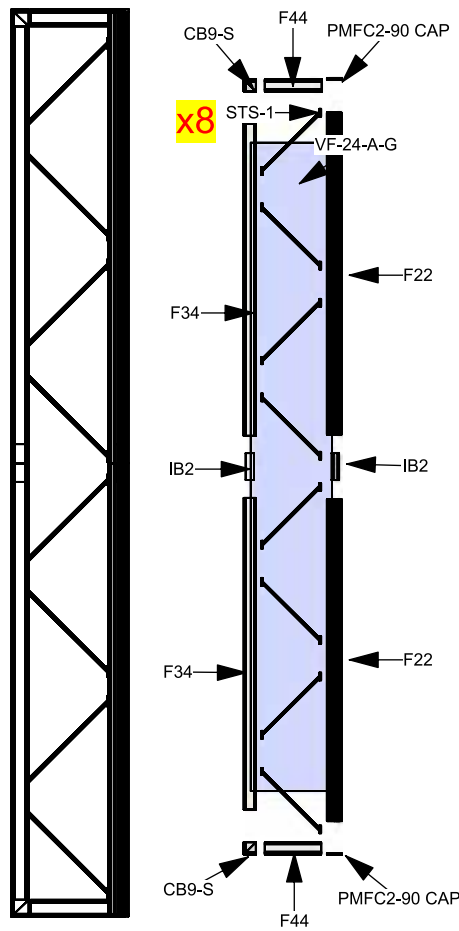
### Step 3: Assemble Right Frame

Arrange pieces on the floor as shown in the diagram below. Assemble frame by locking F37 to VE-85. Slide the IB2 into the extrusion to connect. Lock extrusions together with middle and end frames. When locking be sure to turn each cam a little bit and then go back and tighten to the proper tension. Take care to turn locks only half a turn. Tighten to the proper tension to lock extrusions together.



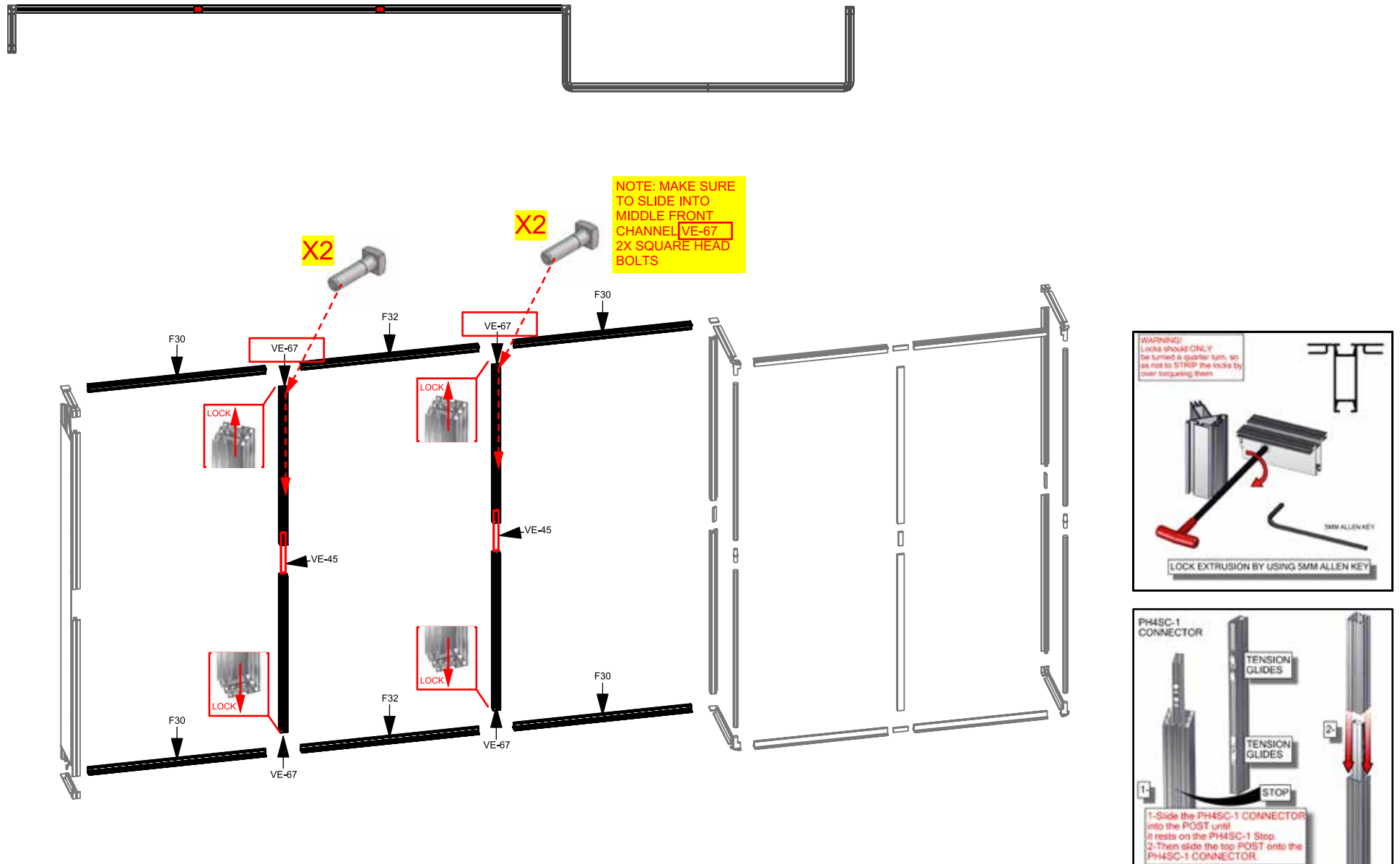
## Step 4: Assemble Truss End Section

Arrange pieces on the floor as shown in the diagram below. To assemble frame, lock CB9-S to F44, F34 and F22s. Slide the IB2 into the extrusion to connect sides. Tighten to the proper tension to lock extrusions together. Install graphic by pressing the FCE-2 edge of graphic into the channel of the extrusion. Start in upper left corner and insert in remaining corners, then push graphic into each side. Assure graphics are tightly inserted.



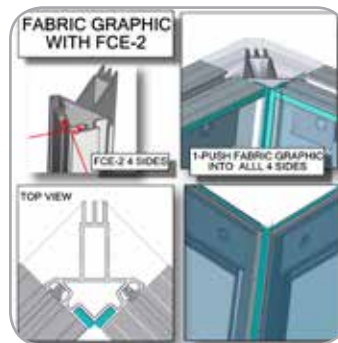
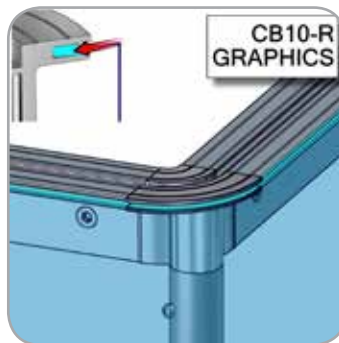
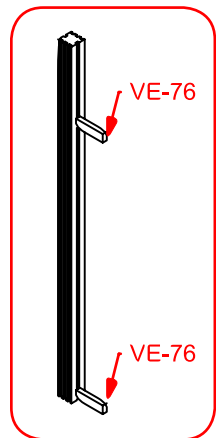
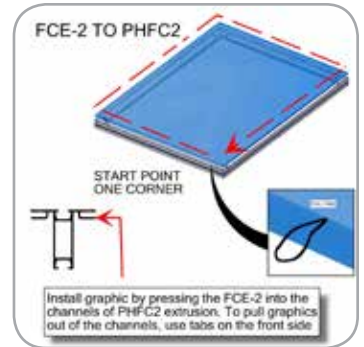
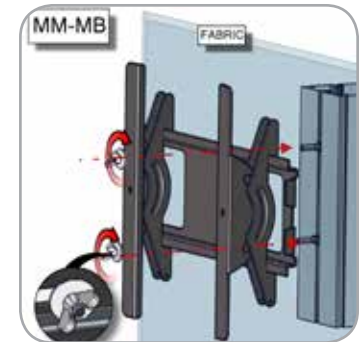
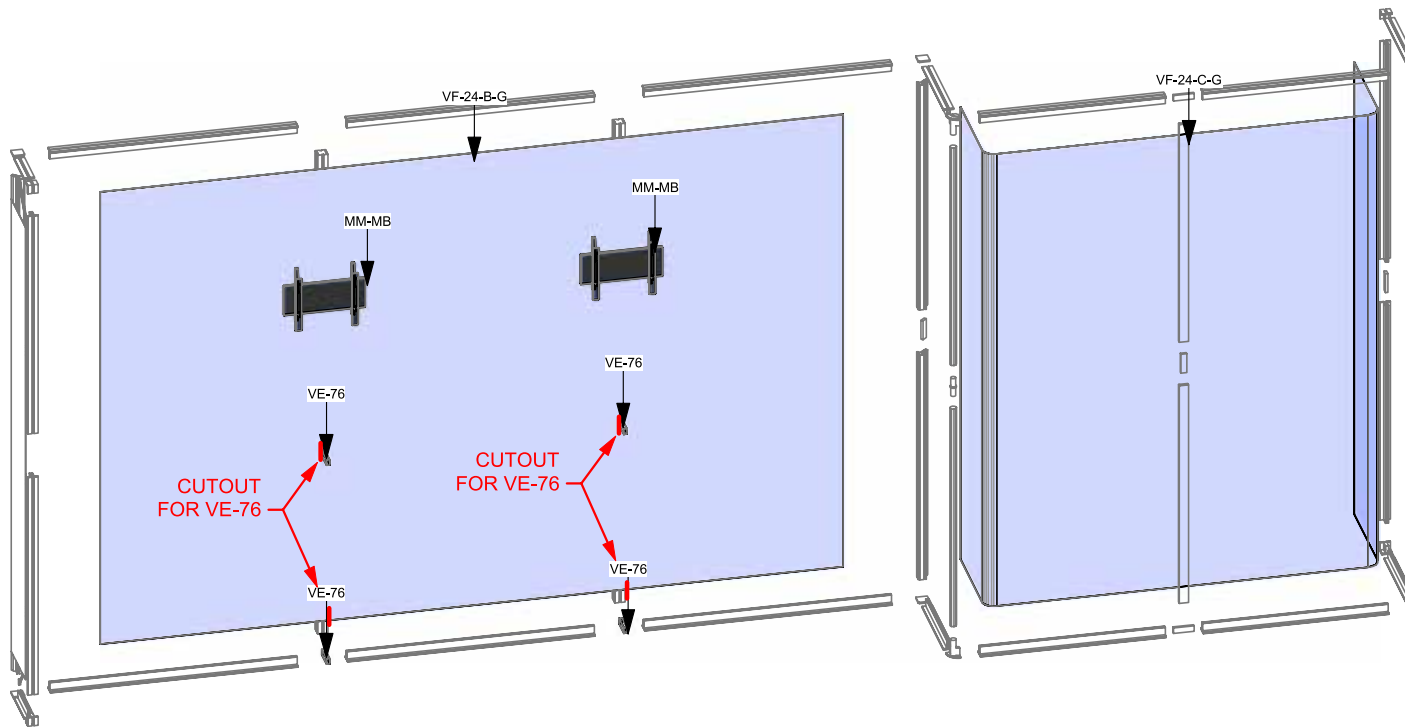
## Step 5: Assemble Center Frame

Arrange pieces on the floor as shown in the diagram below. To assemble frame, start at bottom locking VE-67 to the F30s and F32s. Slide the IB2 into the extrusion to connect sides. When locking be sure to turn each cam a little bit and then go back and tighten to the proper tension. Take care to turn locks only half a turn. Tighten to the proper tension to lock extrusions together. \*Important: before securing F30s to F32 at top, make sure to slide into middle front channel of VE-67 two square head bolts for monitor mount.



## Step 6: Attach Graphics & Monitor Mount

Install graphic(s) by pressing the FCE-2 edge of graphic into the channel of the extrusion. Start in upper left corner and insert in remaining corners, then push graphic into each side. Align graphic with cutout for VE-76. Assure graphics are tightly inserted. Secure monitor mounts with washer and wingnut.



Push fabric with FCE-2 edge folded over into each corner of frame.



Press into the middle of the inside channel and continue around perimeter.



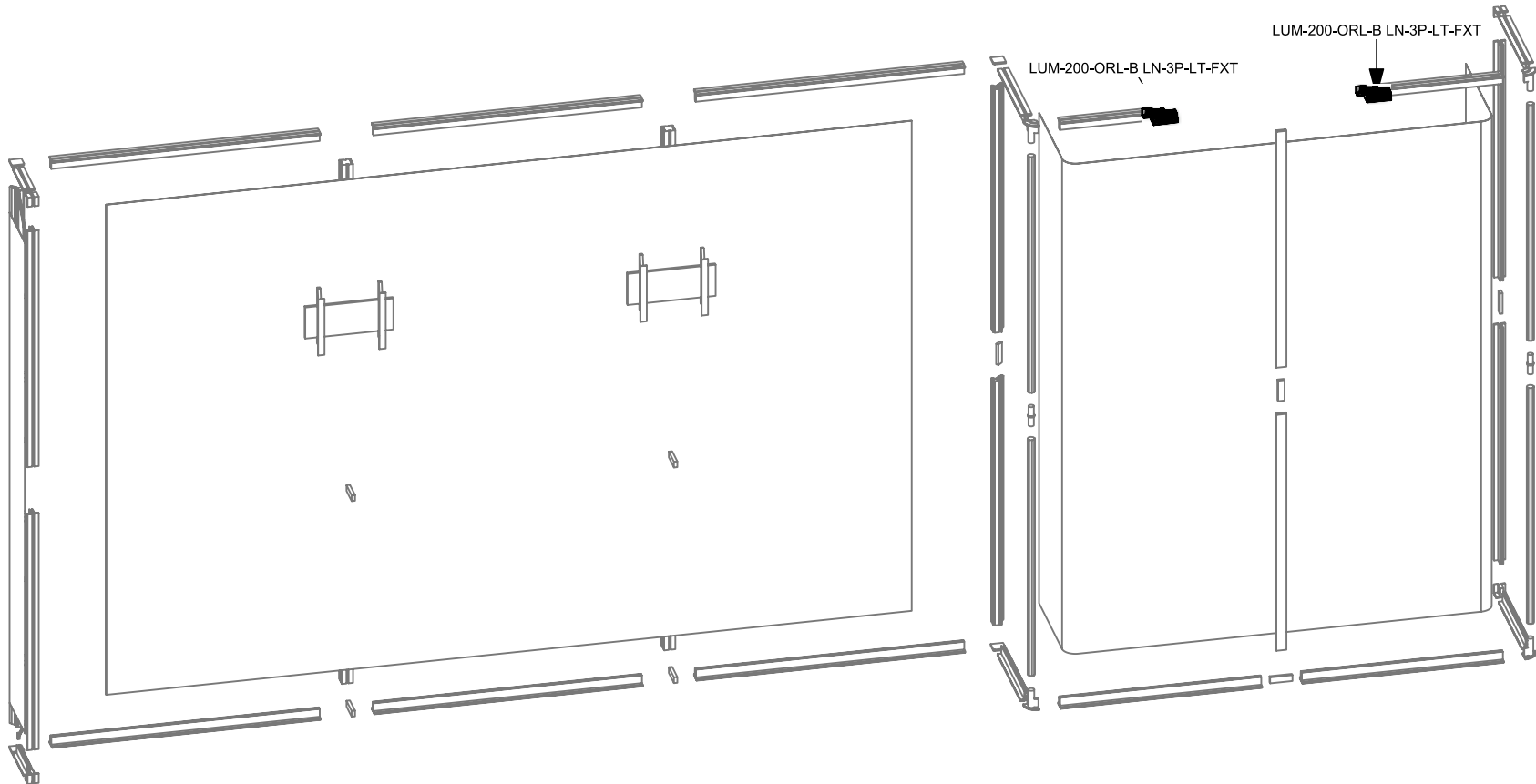
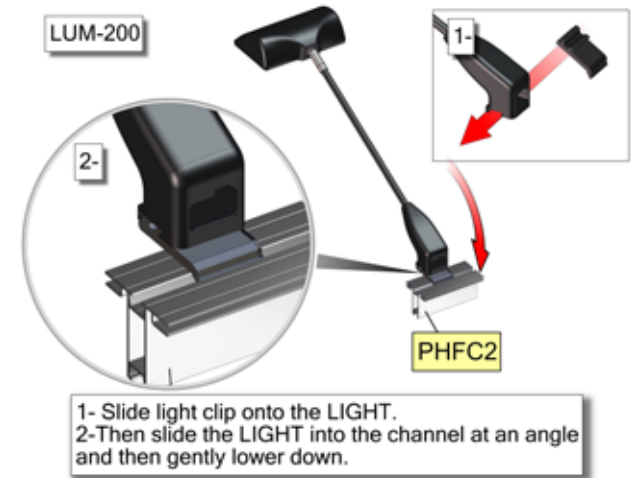
To remove graphic, use the pull tab and gently pull graphic from frame.

**Graphic Storage & Care:** Graphics should be folded with the graphic facing inward and stored in a ziplock / sealable plastic bag. Spot clean by wiping with a damp white cloth. If washing is necessary, use a commercial size front-loading washing machine, gental cycle with cool water. Line dry flat. Dry cleaning is NOT recommended to prevent shrinkage.



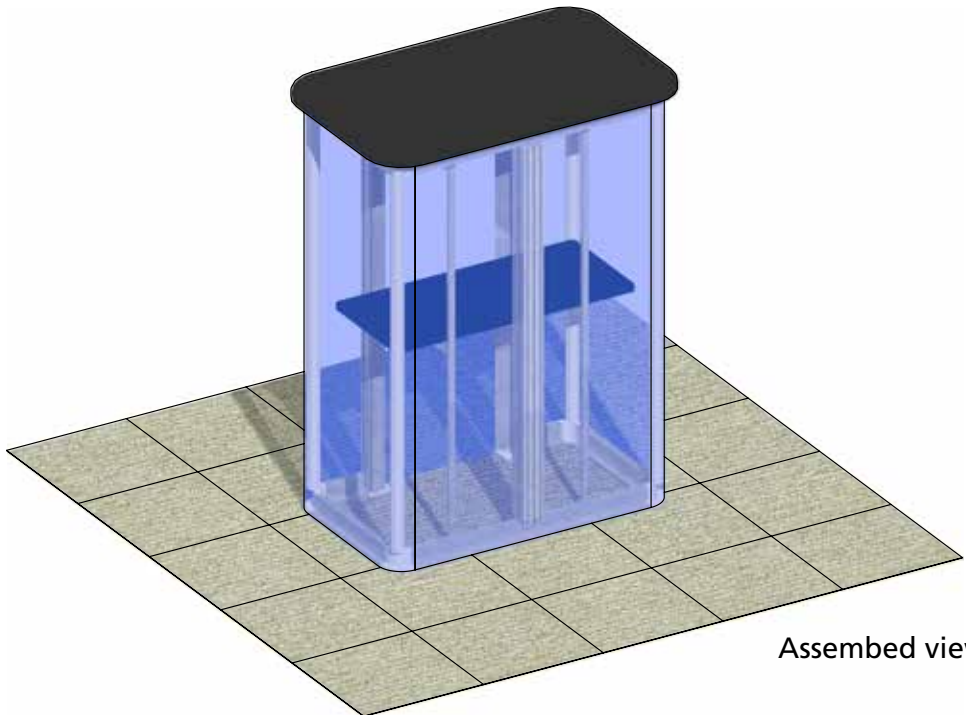
## Step 7: Attach Lights

Slide light clip onto each light. Then slide light into the extrusion channel at an angle and gently lower down and repeat for each light.

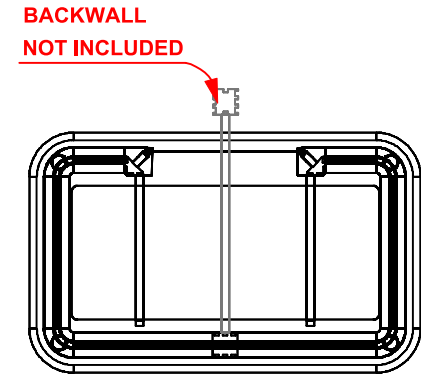


Parts Included:

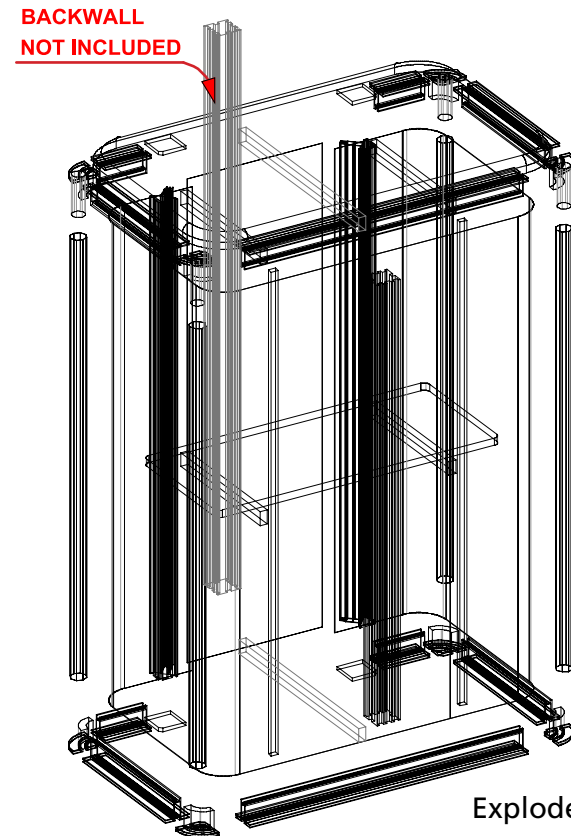
Code	Qty	Description
F40	x2	600MM (23.62") PHFC2 EXTRUSION WITH LOCKS TWO ENDS
F43	x4	300MM (11.81") PHFC2 EXTRUSION WITH LOCKS TWO ENDS
F48	x4	100MM (3.94") PHFC2 EXTRUSION WITH LOCKS TWO ENDS
F24	x2	986MM (38.32") PMFC2-90 EXTRUSION - WITH IB2 LOCK HOLES BOTH SIDES
CB10-R	x8	50MM ROUND PHCF2 CORNER BRACKET
VFC-04-CT	x1	COUNTERTOP FOR VECTOR COUNTER VFC-04
VFC-04-CT-S	x1	INTERNAL SHELF FOR VECTOR COUNTER VFC-04
VFC-03-B-G	x1	291MM (11.48") X 1000MM (39.38")H FABRIC GRAPHIC W/FCE-2 ALL SIDES
VFC-04-A-G	x1	1860MM (73.25")W X 1000MM (39.38")H FABRIC GRAPHIC W/FCE-2 ALL SIDES
TUBE-30-910	x4	910MM (35.82") LENGTH 30MM (1.18") TUBE
PMFC2-90 CAP	x4	PMFC2 90 DEGREE EXTRUSION CAP
VE-80	x4	288MM (11.34") PH1 EXTRUSION WITH IB2 LOCK HOLES BOTH SIDES
VE-68	x1	910MM (35.82") 50MM PM2S SQUARE EXTRUSION WITH LOCKS TWO ENDS
PE-1000	x2	1000MM (39.38") PE EXTRUSION



Assembled view



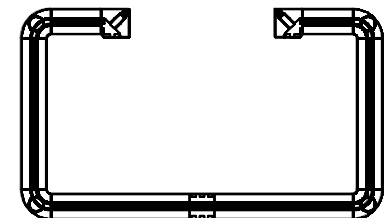
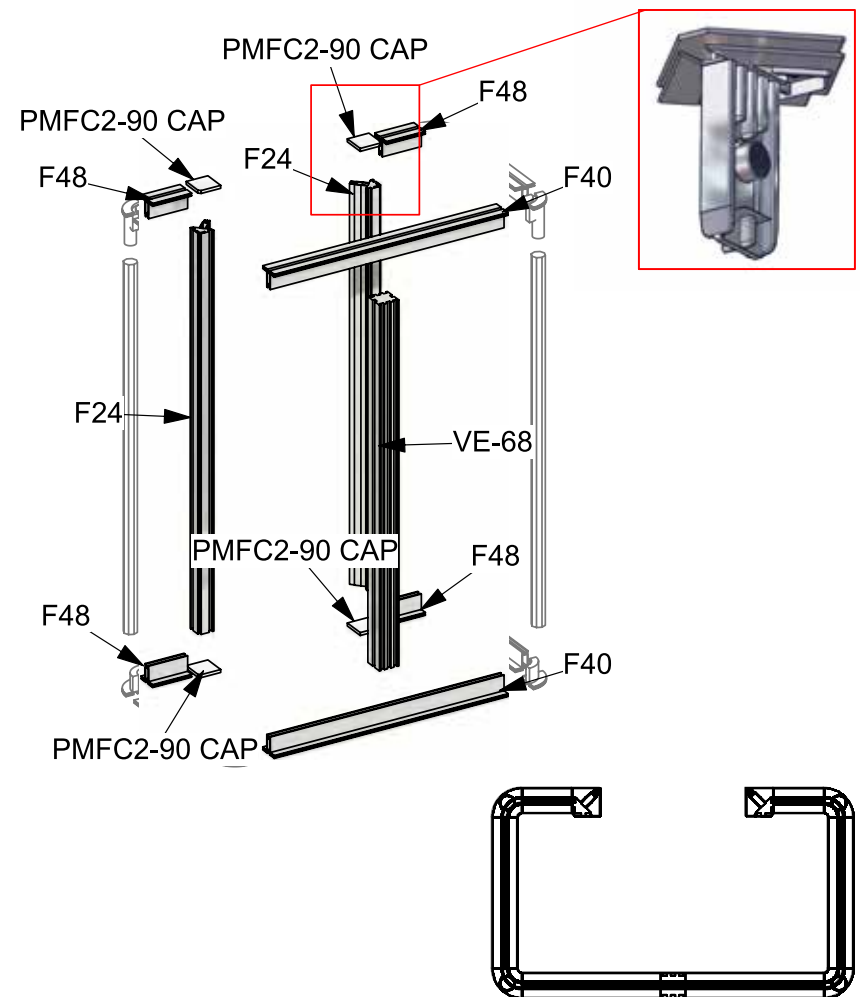
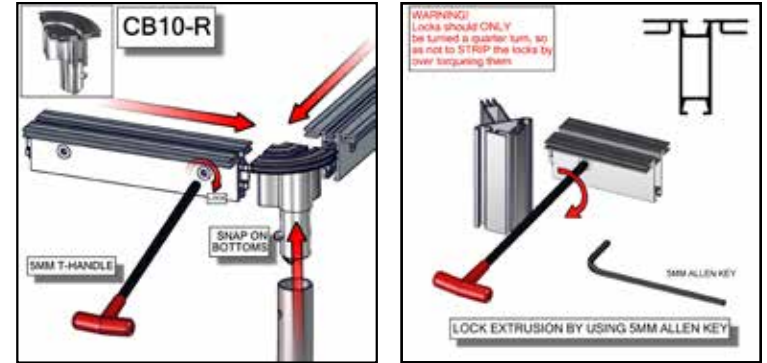
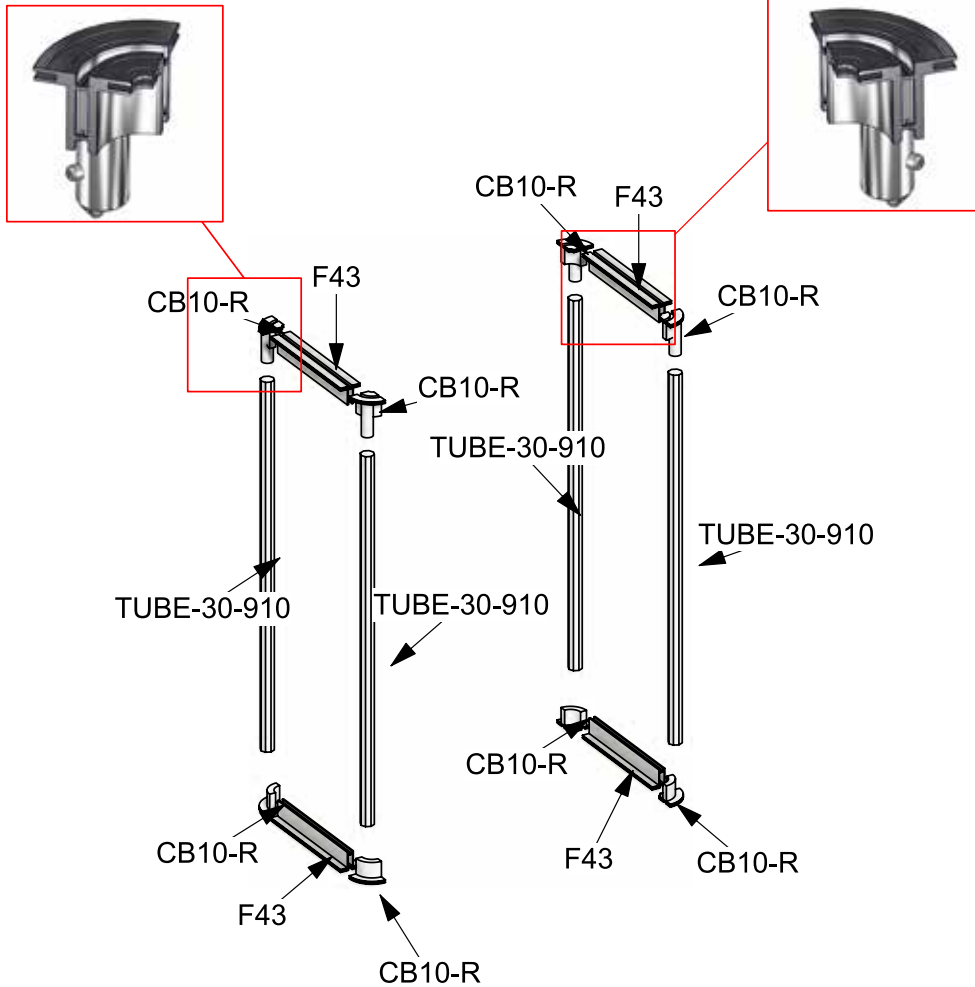
Overhead view



Exploded view

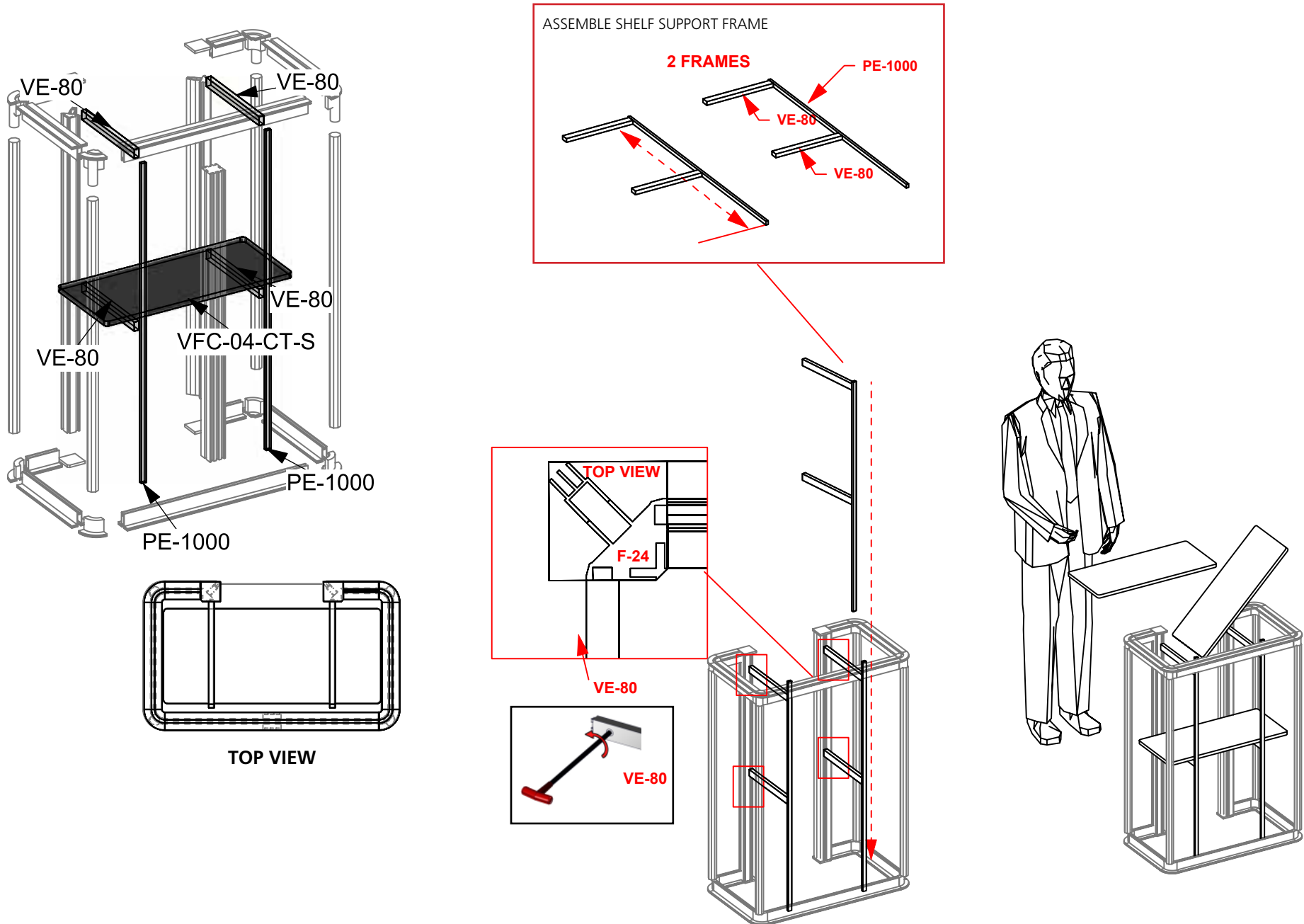
## Step 1: Assemble Counter Frame

Arrange pieces on the floor as shown in the diagram below. Assemble frame sides by locking F43s and TUBE-30-910s to the CB10-Rs. Continue frame assembly by locking F40 to VE-68 to the extrusion. When locking be sure to turn each cam a little bit and then go back and tighten to the proper tension. Take care to turn locks only a quarter turn, so as to not strip the locks by over tightening.



## Step 2: Install Internal Shelf

Assemble shelf support frame by securing VE-80 to PE-1000 extrusion. With VE-80 secured to PE-1000, slide PE-1000 into counter frame as shown below. Lock each frame to F-24 using Allen Key. Install internal shelf (VFC-02-CT-S) on top of VE-80s.



### Step 3: Apply Graphics & Attach Countertop

Apply push-fit fabric graphic(s) by pressing the FCE-2 edge of graphic into the channel of the extrusion. Start in upper left corner, go across the top and then down the sides to the bottom. Repeat for each side. Assure each graphic is tightly inserted. When taking graphics off, take care to gently pull by attached pull tab. Next, gently place the countertop onto the completed frame. Lock countertop into place using Hex Key. Lock countertop into place using Hex Key.

