

Vector Frame Kit 22

VF-K-22

The innovative, contemporary and clean appearance of the Vector Frame™ line of exhibit kits will captivate your audience. Kits feature push-fit fabric graphics, easy-to-assemble extrusion frames, accent lighting, tables, counters, literature accessories, monitor mounts and interior LED edge lighting where indicated.



features and benefits:

- 50mm silver extrusion frame
- Single-sided SEG dye-sublimated push-fit fabric graphics
- Counters available in four thermoform finishes, shown below
- Counters max weight = 50 lbs / 22.7 kgs
- Monitor - 32" - 55" Max Weight = 80lbs
- Kit includes frame, three fabric graphic panels, four rigid graphic wing accents, three counters, two monitor mounts, two 120 watt lights, and four wheeled molded cases
- Lifetime hardware warranty against manufacturer defects

dimensions:

Hardware

Assembled Unit:
228.25" w x 102" h x 37.75" d
5798mm(w) x 2591mm(h) x 959mm(d)

Counter 06 (attached to backwall):
41.625" w x 40.5" h x 20.75" d
1057mm(w) x 1029mm(h) x 527mm(d)

Counter 05 (freestanding):
39.76" w x 40.5" h x 22.75" d
1010mm(w) x 1029mm(h) x 578mm(d)

Shipping

Packing Cases:
3 OCH2
1 OCE

Shipping Dimensions:
OCH2:
52" l x 30" w x 15" h
1321mm(l) x 762mm(w) x 381mm(h)

OCE:
66" l x 18" w x 18" h
1676mm(l) x 457mm(w) x 457mm(h)

Approximate shipping weight (entire kit):
409 lbs / 185 kgs

Graphic

Refer to related graphic template for more information.

Visit:
www.exhibitors-handbook.com/graphic-templates

additional information:

Graphic material:
Dye-sublimated fabric, rigid sintra graphics

Tabletop color options:



Refer to related graphic templates for more information

Lights included: Lumina 200 120 watt floodlight, curved arm, black finish, 19.5" from end to end

Monitors not included

We are continually improving and modifying our product range and reserve the right to vary the specifications without prior notice. All dimensions and weights quoted are approximate and we accept no responsibility for variance. E&OE. See Graphic Templates for graphic bleed specifications.

Included In Your Kit

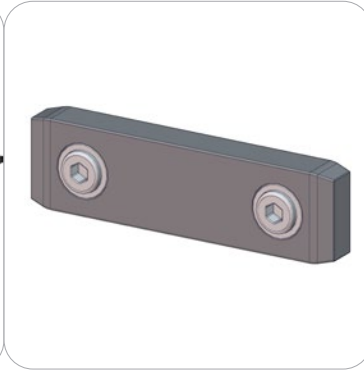
Tools, Components, Connectors, & Extrusions



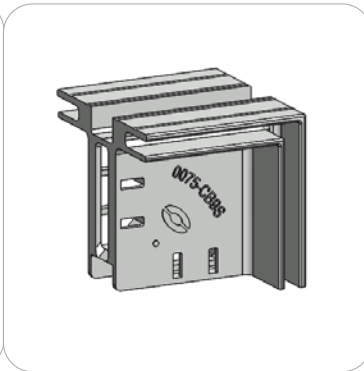
ALLEN KEY SET x1



SW-FOOT-500-2 x2



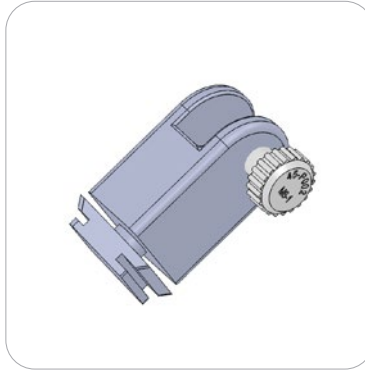
IB2 x11



CB9-S x6



CB9-R x6



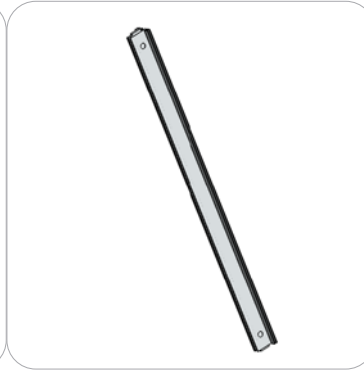
PANEL CLAMP x8



LUM-200-ORL x2



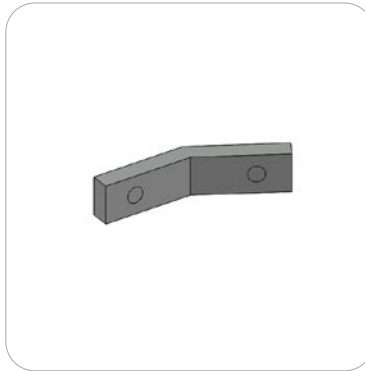
EXT-M-MB x2



PHFC2-1155-L-L x4



PHFC2-1155-L-L1 x12



PH1-152-135-L-L x6



PH1-1155-L1-S x2



PHFC2-8R-30-L-L1 x4



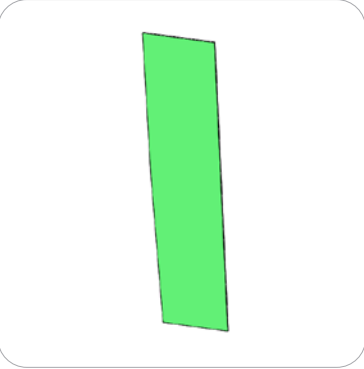
PM2S2-1155-A165-L x4

Included In Your Kit

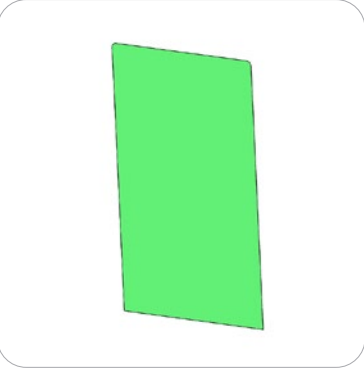
Graphics



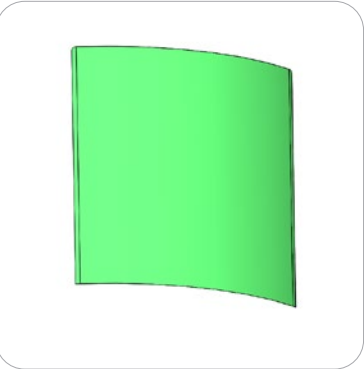
VF-22-A-G x1



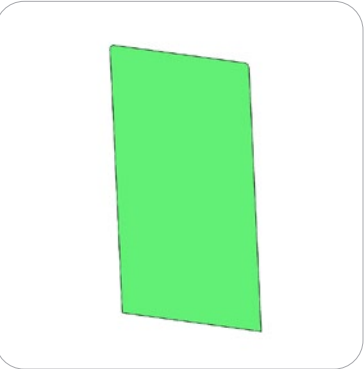
VF-22-B-G x1



VF-22-C-G x1



VF-22-D-G x1



VF-22-E-G x1



VF-22-F-G x1



VF-22-G-G x1

Counters



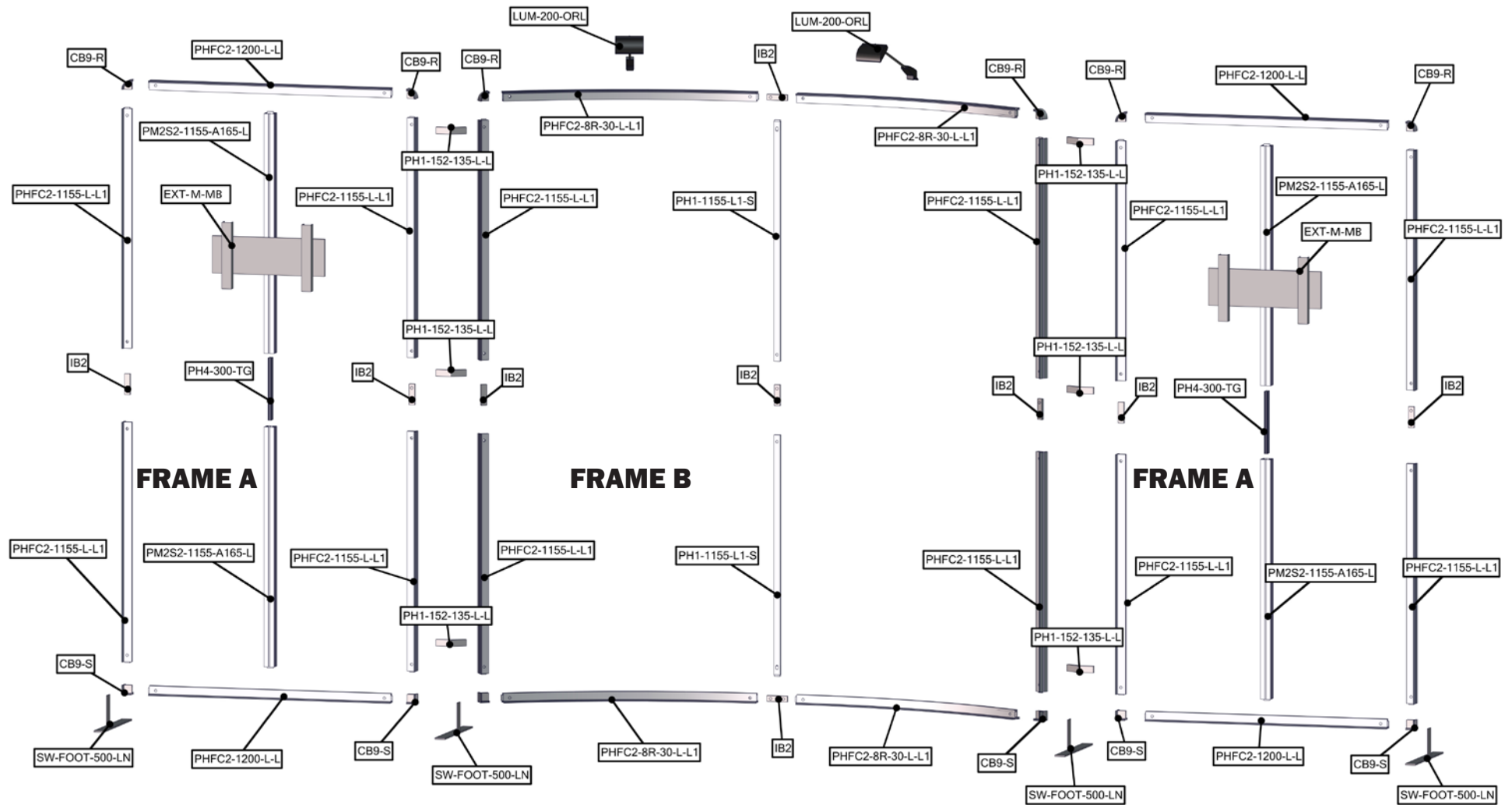
VFC-05 x1



VFC-06 x2

Exploded View

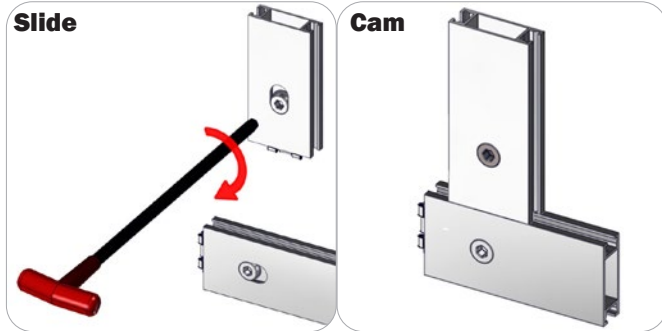
VF-K-22



Connection Methods

Extrusion based structures use a number of different yet simple connection methods. Your kit will include one or more of the connection methods shown below. Steps within the Kit Assembly will reference a specific method for each connection point.

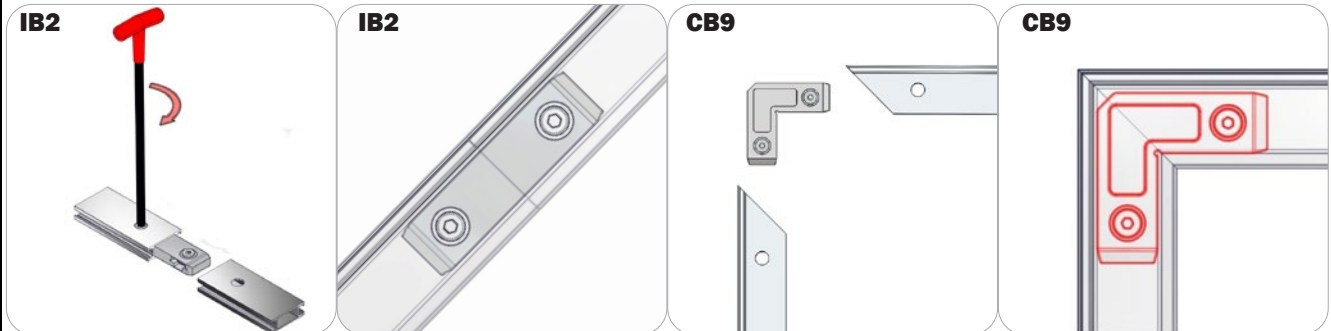
Connection Method 1: Cam Lock / Slide Lock



A cam lock equipped extrusion can lock to any cam lock channel. With the cam lock unlocked, set the teeth of the cam lock into the desired position on the cam lock channel. Using your allen key tool, carefully turn the lock clockwise to lock in place. Be sure to lock securely, but do not overtighten.

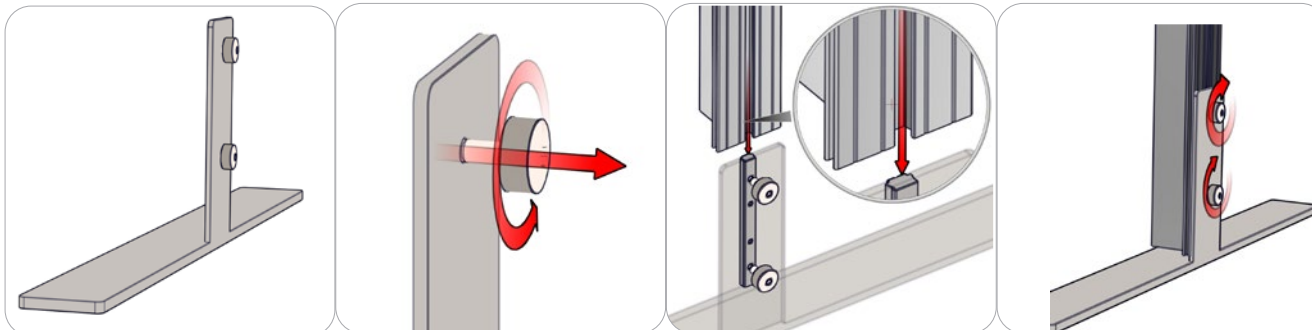
A slide lock equipped extrusion can also lock into any cam lock channel. When the slide lock is unlocked, pull back on the hex bolt head to retract the slide lock into the body of the extrusion. Slide locking procedure is the same as a cam lock.

Connection Method 2: IB2 / Corner Brackets



Press the hex bolt head in with your thumb and slide the extrusion and connector together so that the hex bolt head sits into the lock hole. Repeat with the second extrusion to the free end of the connector. Lock the extrusions together by turning carefully with the allen key tool. Be sure to lock securely, but do not overtighten.

Connection Method 3: SW-FOOT



An SW-FOOT assembly consists of two thumb screws, an LN100, and SW-FOOT baseplate. Start by loosening the thumb screws (it is best not to completely remove the screws). Slide the extrusion onto the LN100 by utilizing its back cam channel. When the extrusion rests on baseplate or ground (depending on application), tighten the thumb screws to lock in place. Do not overtighten.

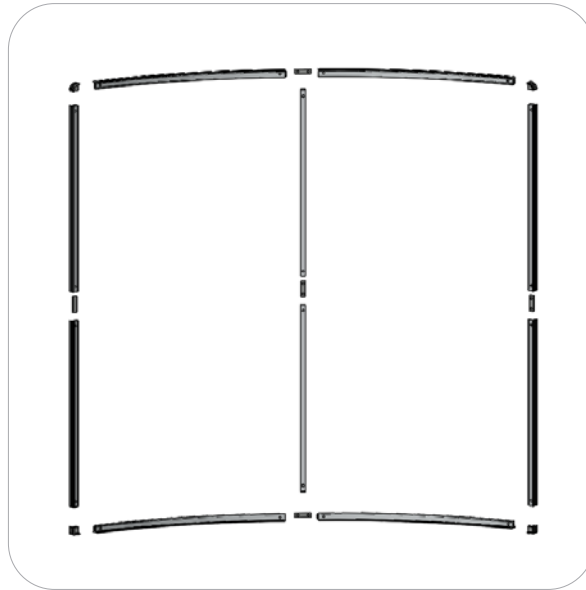
Kit Assembly

Step by Step

Step 1.

Begin by assembling Frame B. Assemble in according to the Exploded View. It is recommended to build your assembly flat on the floor from bottom to top.

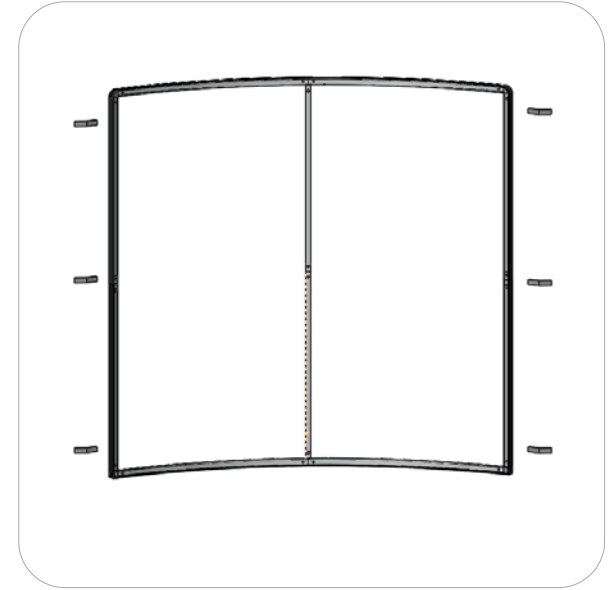
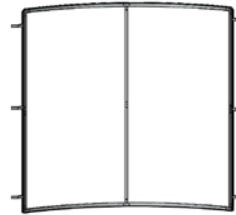
Please reference Connection Methods 1 & 2 for more details.



Step 2.

Locate (6) PH1-152-135-L-L extrusions. Lock them to the sides of your frame with equal spacing.

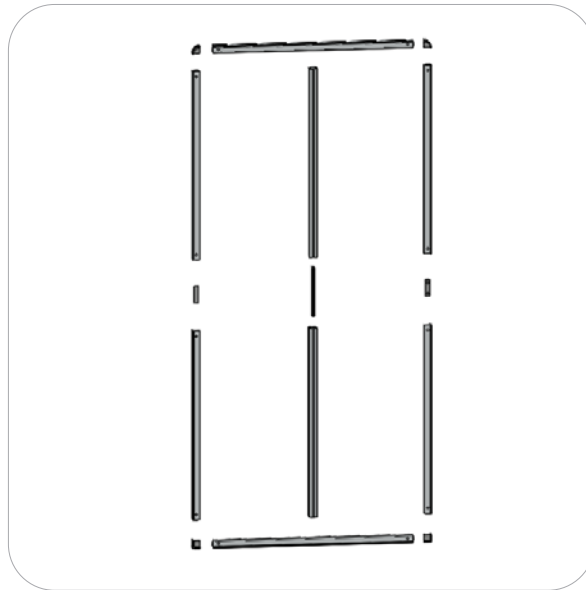
Please reference Connection Methods 1 for more details.



Step 3.

Assemble Frame A. Assemble according to the Exploded View. It is recommended to build your assembly flat on the floor from bottom to top.

Please reference Connection Methods 1 & 2 for more details.



Step 4.

Attach your SW-FOOT-500-2 feet to both Frame A assemblies.

Please reference Connection Methods 3 for more details.



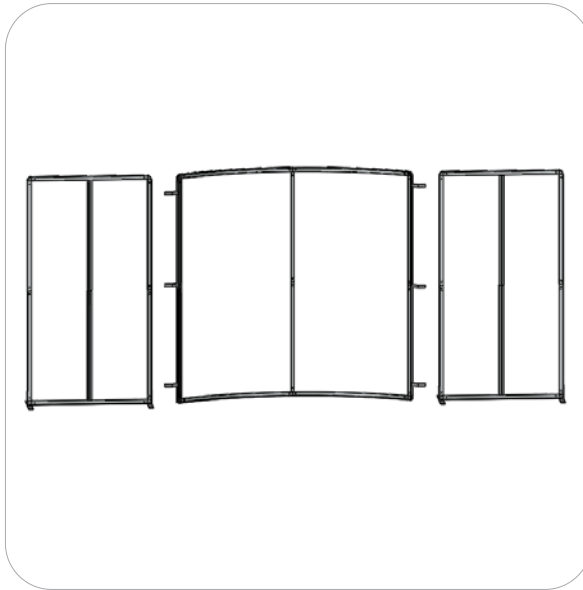
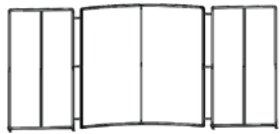
Kit Assembly

Step by Step

Step 5.

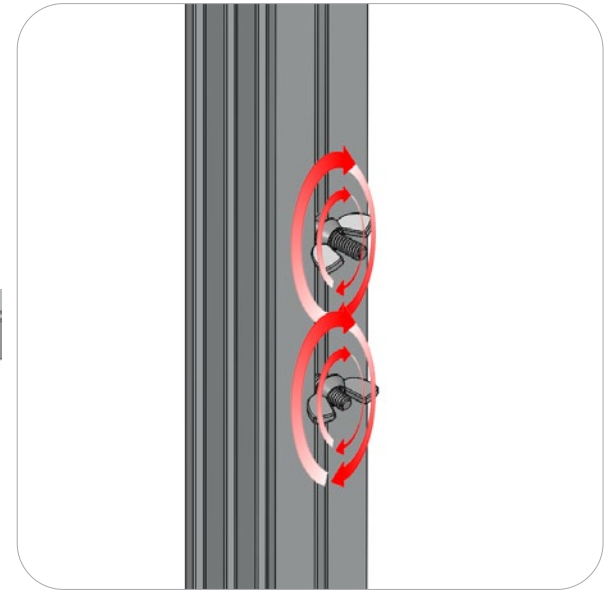
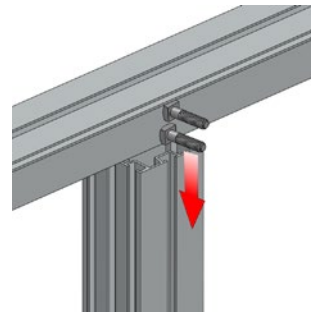
Connect your Frame A assemblies to the PH1-152-135-L-L extrusions on the sides of Frame B.

Please reference Connection Methods 1 for more details.



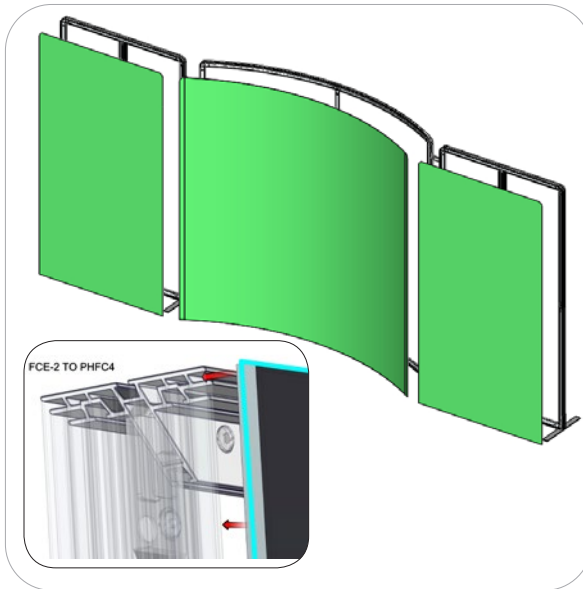
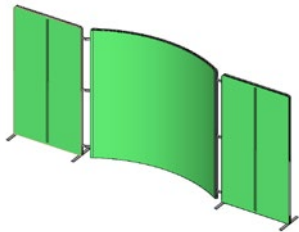
Step 6.

Gather the square head bolts found with your monitor bracket and slide them down the top of the PM2S2 spreaders of both Frame A. There should be two bolts per frame. Use the provided wingnuts to lock them into place at approximate monitor height.



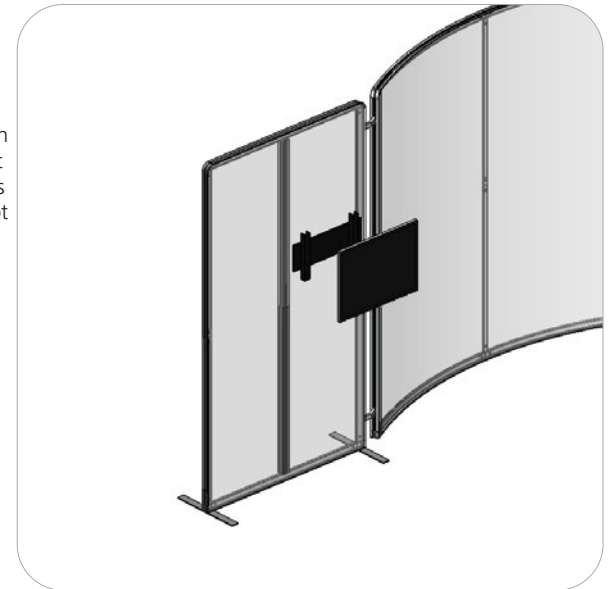
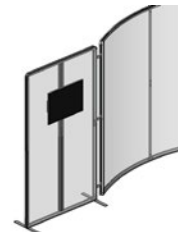
Step 7.

Locate the graphics for your frames. Push fit the edges of your graphics into the outer channels of the extrusion as shown in the detail image to the right. Be sure your graphics are oriented correctly.



Step 8.

Complete the installation of your monitor brackets by locating the screws you locked to the extrusion in Step 6. Set the monitor bracket onto the screws utilizing the holes in the bracket. Be careful as to not allow the screws to drop to the bottom of the extrusion. Lock the bracket into place using the same wingnuts.



Kit Assembly

Step by Step

Step 9.

Gather (2) LUM-200-ORL spotlights with the appropriate clip. Clip the spot lights onto the top channel of Frame B.



Step 10.

Build and place your counters to complete your assembly.

Setup Complete.



Vector Frame Counter 05

VFC-05

Vector Frame™ counters compliment the Vector Frame series of exhibit kits, but are also ideal for any stand-alone event or display. Vector Frame counters couple simple extrusion-based frames with push-fit graphics or rigid sintra graphics. Tables are available in four colored finishes. Custom sizes also available.



features and benefits:

- Features rigid sintra graphics and simple extrusion based frames
- Locking door
- Choose from four tabletop finishes
- Easy step-by-step instructions
- Allow for extra storage by removing one fabric panel
- OCH2 portable shipping case
- Lifetime limited warranty against manufacturer defects

dimensions:

Hardware

Assembled unit:
39.76" w x 40.5" h x 22.75" d
1001mm(w) x 1029mm(h) x 578mm(d)

Approximate weight with cases:
91 lbs / 41 kg

Shipping

Packing Cases:
1 OCH2

Shipping dimensions:
52" l x 30" w x 15" h
1321mm(l) x 737mm(w) x 381mm(h)

Approximate shipping weight (entire kit):
93 lbs / 42.41 kg

Graphic

Refer to related graphic template for more information.

Visit:
www.exhibitors-handbook.com/graphic-templates

additional information:

Counter holds max weight 50 lbs / 23 kg

Internal Shelf holds 20lbs / 9 kg

Tabletop color options:



silver



black



mahogany



natural

We are continually improving and modifying our product range and reserve the right to vary the specifications without prior notice. All dimensions and weights quoted are approximate and we accept no responsibility for variance. E&OE. See Graphic Templates for graphic bleed specifications.

Included In Your Kit

Tools, Components, & Connectors



ALLEN KEY SET x1



PH-2R-L-L-IN x2



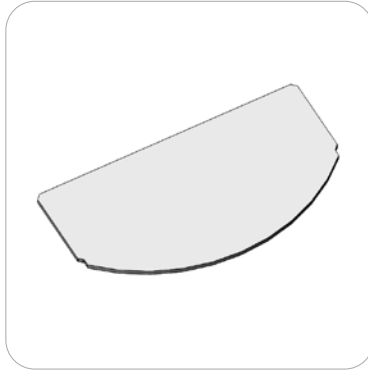
PH-250-S-S x4



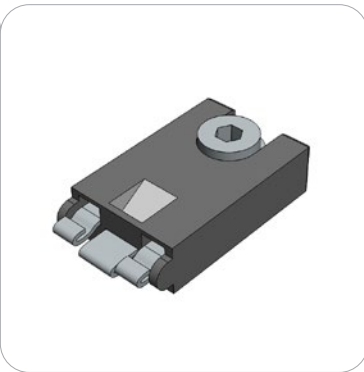
PM2R8-1000 x4



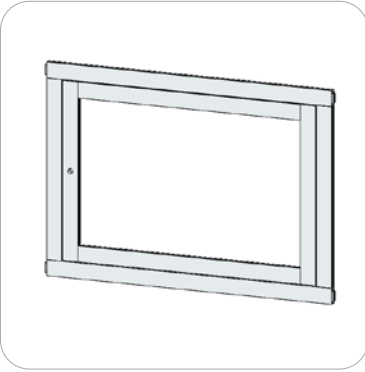
VFC-05-CT x1



VFC-05-S x1

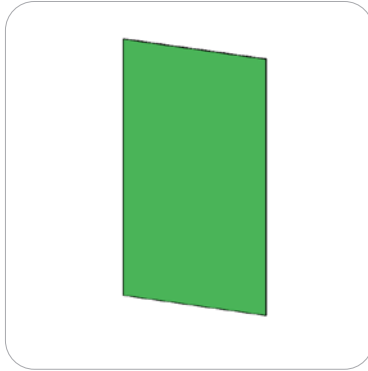


CAM LOCK x4



VFC-05-DR x1

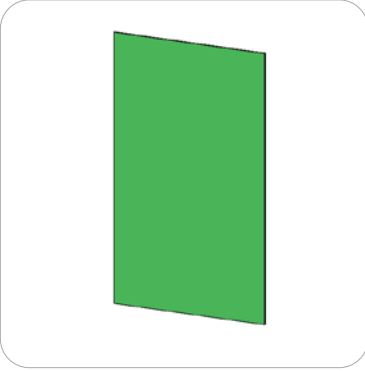
Graphics



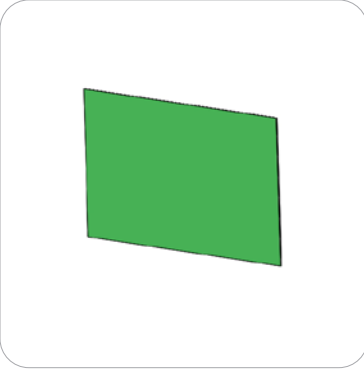
VFC-05-A-G x1



VFC-05-B-G x1



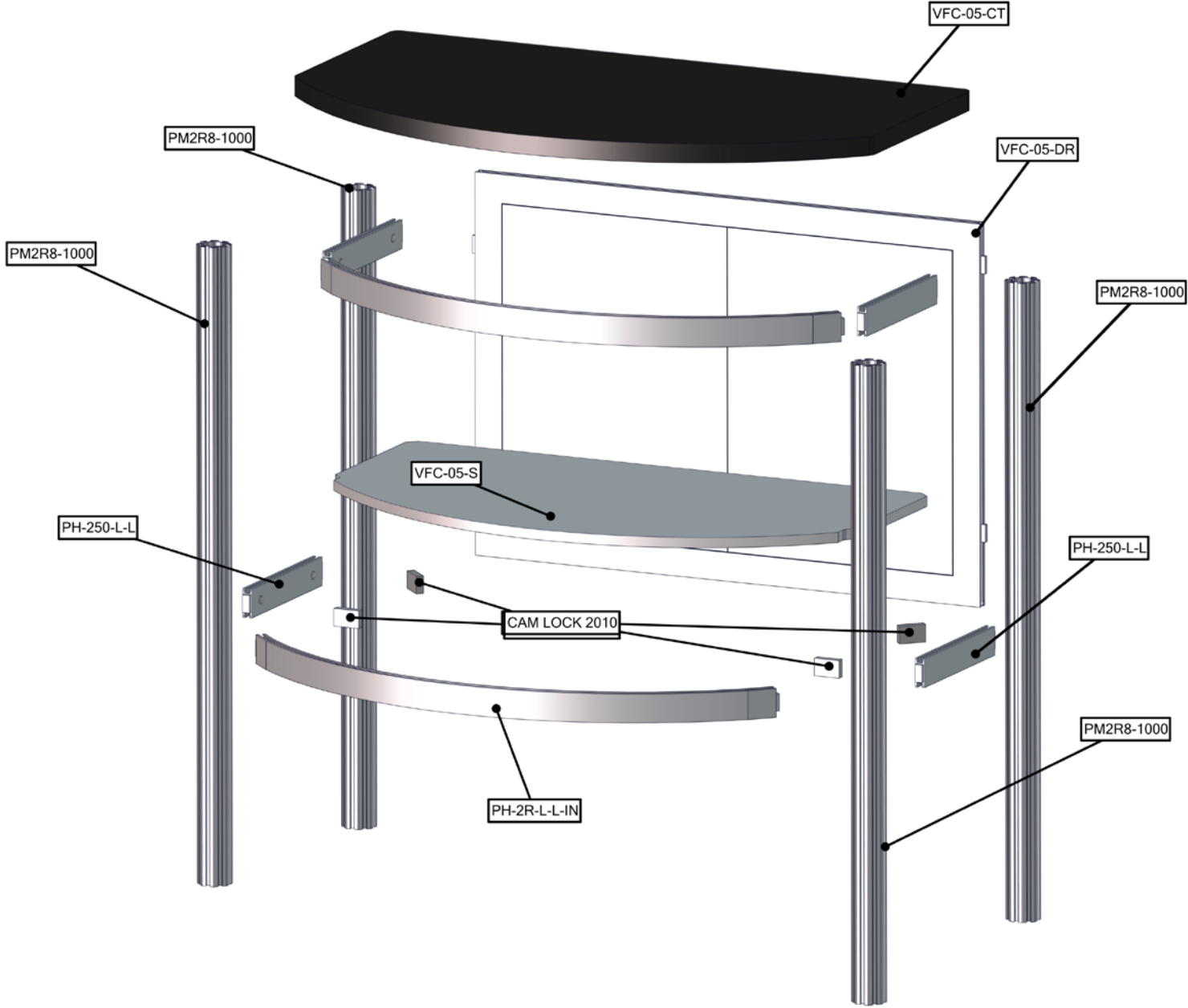
VFC-05-C-G x1



VFC-05-D-G x1

Exploded View

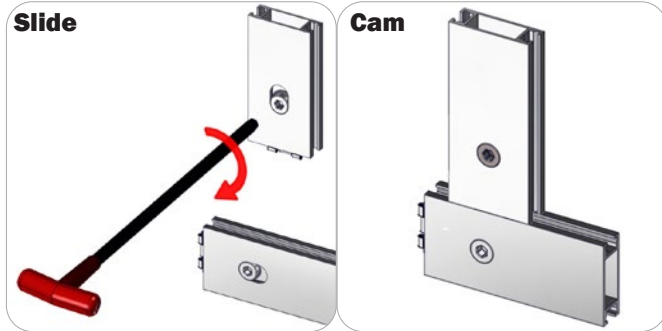
VFC-05



Connection Methods

Extrusion based structures use a number of different yet simple connection methods. Your kit will include one or more of the connection methods shown below. Steps within the Kit Assembly will reference a specific method for each connection point.

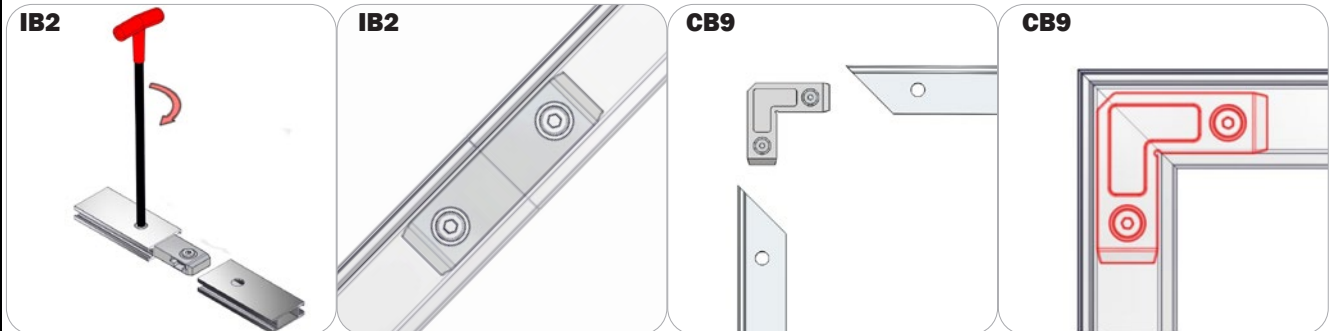
Connection Method 1: Cam Lock / Slide Lock



A cam lock equipped extrusion can lock to any cam lock channel. With the cam lock unlocked, set the teeth of the cam lock into the desired position on the cam lock channel. Using your allen key tool, carefully turn the lock clockwise to lock in place. Be sure to lock securely, but do not overtighten.

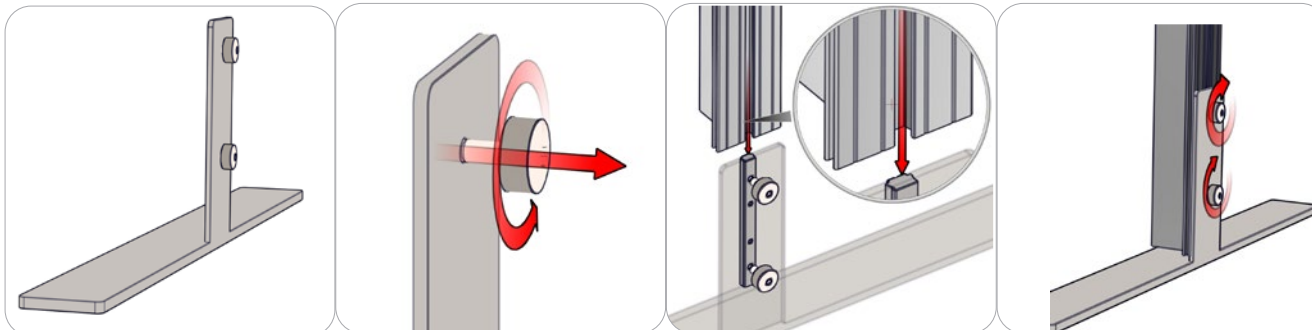
A slide lock equipped extrusion can also lock into any cam lock channel. When the slide lock is unlocked, pull back on the hex bolt head to retract the slide lock into the body of the extrusion. Slide locking procedure is the same as a cam lock.

Connection Method 2: IB2 / Corner Brackets



Press the hex bolt head in with your thumb and slide the extrusion and connector together so that the hex bolt head sits into the lock hole. Repeat with the second extrusion to the free end of the connector. Lock the extrusions together by turning carefully with the allen key tool. Be sure to lock securely, but do not overtighten.

Connection Method 3: SW-FOOT



An SW-FOOT assembly consists of two thumb screws, an LN100, and SW-FOOT baseplate. Start by loosening the thumb screws (it is best not to completely remove the screws). Slide the extrusion onto the LN100 by utilizing its back cam channel. When the extrusion rests on baseplate or ground (depending on application), tighten the thumb screws to lock in place. Do not overtighten.

Kit Assembly

Step by Step

Step 1.

Gather (2) PM2R8-100 extrusions and (1) PH-2R-L-L-IN. Lock together so that the top of the PH-2R-L-L-IN is flush with the top of the PM2R8-100s.

Please reference Connection Method 1 for more details.



Step 2.

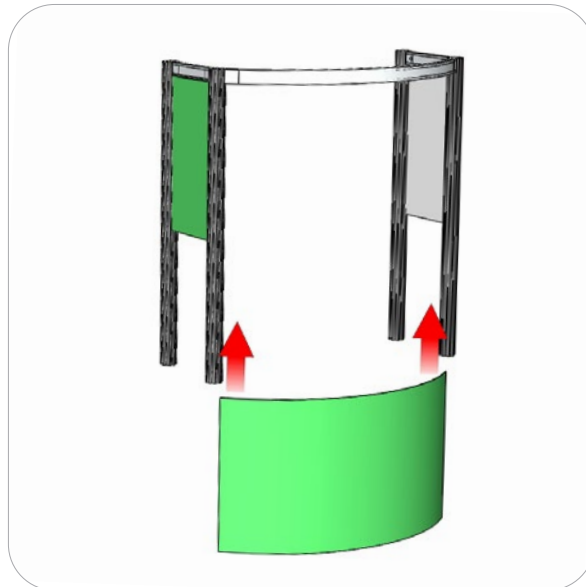
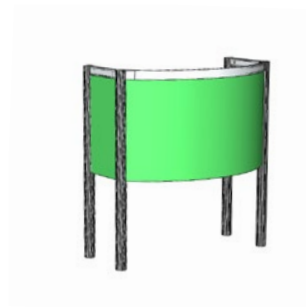
Locate (2) PM2R8-100 and (2) PH-250-S-S. Lock the PH-250-S-S so that the top is flush with the tops of the PM2R8-100.

Please reference Connection Method 1 for more details.



Step 3.

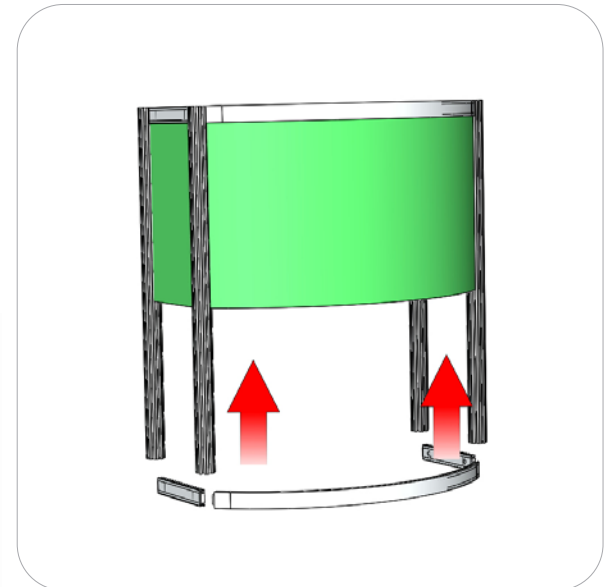
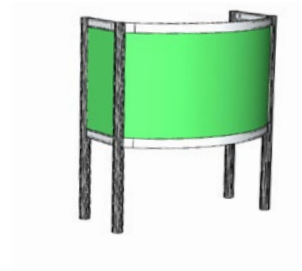
Gather graphics VFC-05-A-G, VFC-05-B-G, and VFC-05-C-G. Guide the graphics through the channels of the PM2R8-100s until it runs into the extrusions above it.



Step 4.

Lock your graphics into place using (2) PH-250-S-S and (1) PH-2R-L-L-IN. Leave no gaps between graphic and extrusion. All lock holes should face the inside of the cabinet.

Please reference Connection Method 1 for more details.



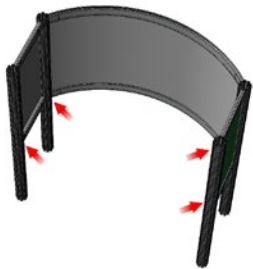
Kit Assembly

Step by Step

Step 5.

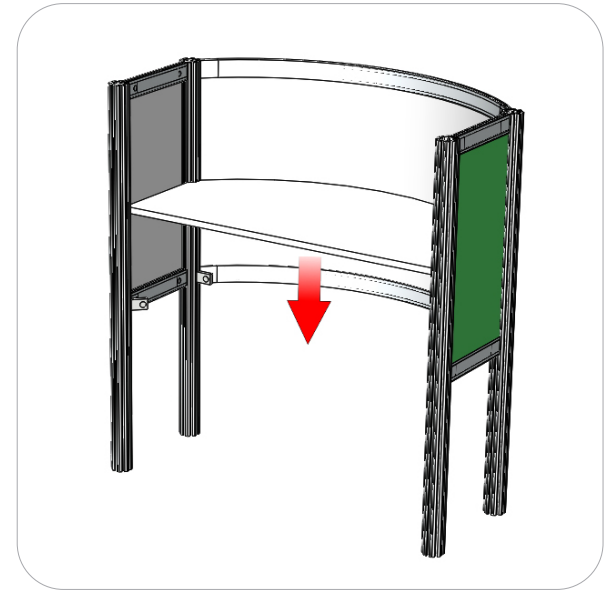
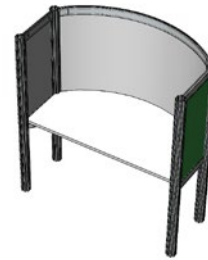
Locate (4) CAM LOCKS. Lock each CAM LOCK into the corners of your VFC-05 assembly. The top of the CAM LOCK should be flush with the surrounding lower level extrusions. It is recommended to measure to ensure equal height.

Please reference Connection Method 1 for more details.



Step 6.

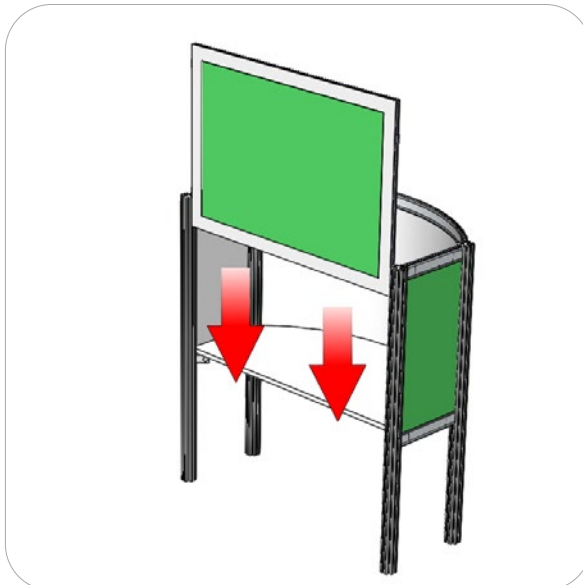
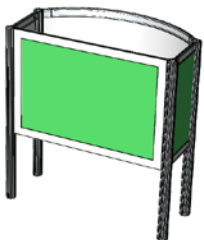
Apply your VFC-05-S internal shelf. Allow the shelf to rest on the CAM LOCKS.



Step 7.

Apply your VFC-05-DR. Your VFC-05-DR should include your graphic VFC-05-D-G preinstalled. Run locks of the door down the channels of the rear PM2R8-100s. Lock into place when flush.

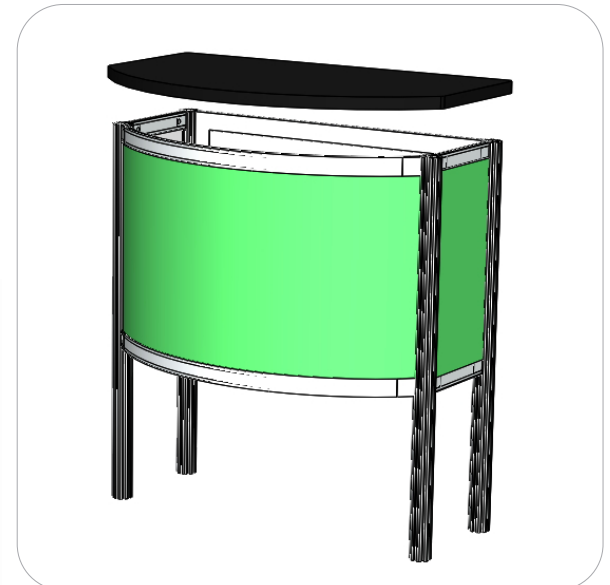
Please reference Connection Method 1 for more details.



Step 8.

Place your VFC-05-CT on top of your unit to complete the assembly.

Setup Complete.



Vector Frame Counter 06

VFC-06

Vector Frame™ counters compliment the Vector Frame series of exhibit kits, but are also ideal for any stand-alone event or display. Vector Frame counters couple simple extrusion-based frames with push-fit graphics or rigid sintra graphics. Tables are available in four colored finishes. Custom sizes also available.



features and benefits:

- Features rigid sintra graphics and simple extrusion based frames
- Locking door
- Choose from four tabletop finishes
- Easy step-by-step instructions
- Allow for extra storage by removing one fabric panel
- OCH2 portable shipping case
- Lifetime limited warranty against manufacturer defects

dimensions:

Hardware	Graphic
<p>Assembled unit: 41.7" w x 40.5" h x 20.75" d 1057mm(w) x 1029mm(h) x 527mm(d)</p> <p>Approximate weight with cases: 87 lbs / 39 kg</p>	<p>Refer to related graphic template for more information.</p> <p>Visit: www.exhibitors-handbook.com/graphic-templates</p>
Shipping	
<p>Packing Cases: 1 OCH2</p> <p>Shipping dimensions: 52" l x 29" w x 15" h 1321mm(l) x 737mm(w) x 381mm(h)</p> <p>Approximate shipping weight (entire kit): 89 lbs / 40.4 kg</p>	

additional information:

Counter holds max weight 50 lbs / 23 kg

Internal Shelf holds 20 lbs / 9 kg

Tabletop color options:



We are continually improving and modifying our product range and reserve the right to vary the specifications without prior notice. All dimensions and weights quoted are approximate and we accept no responsibility for variance. E&OE. See Graphic Templates for graphic bleed specifications.

Included In Your Kit

Tools, Components, & Connectors



ALLEN KEY SET x1



PH-2R-L-L-IN x2



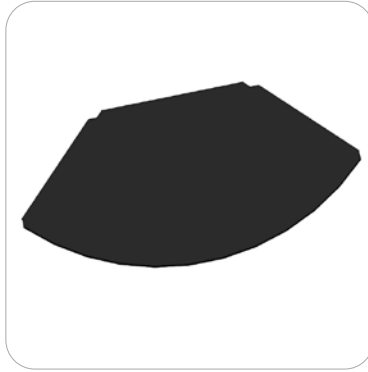
PH-300-S-S x4



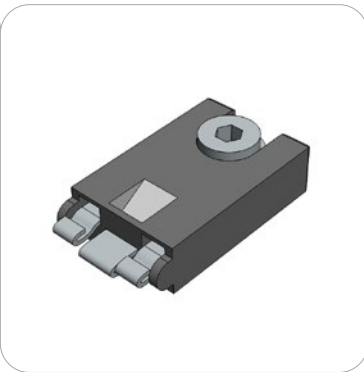
PM2R8-1000 x4



VFC-06-CT x1



VFC-06-S x1



CAM LOCK x4



VFC-06-DR x1

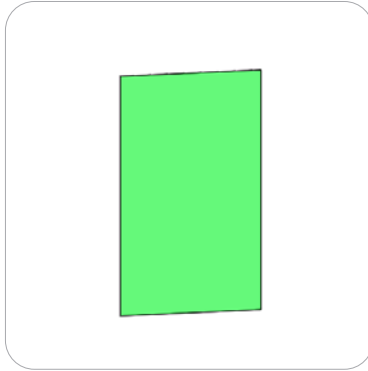


PH-415-L x1

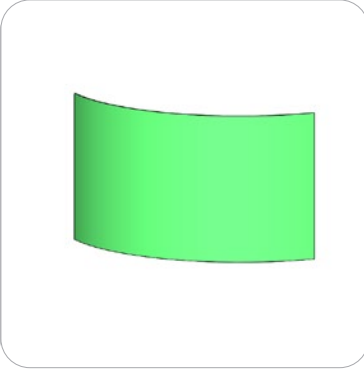


LN605-EN x4

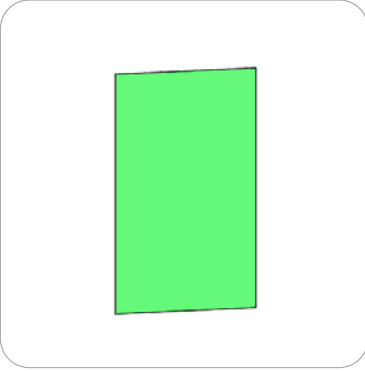
Graphics



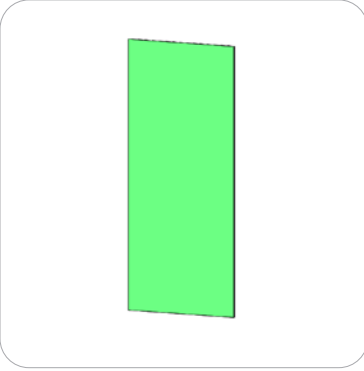
VFC-06-A-G x1



VFC-06-B-G x1



VFC-06-C-G x1



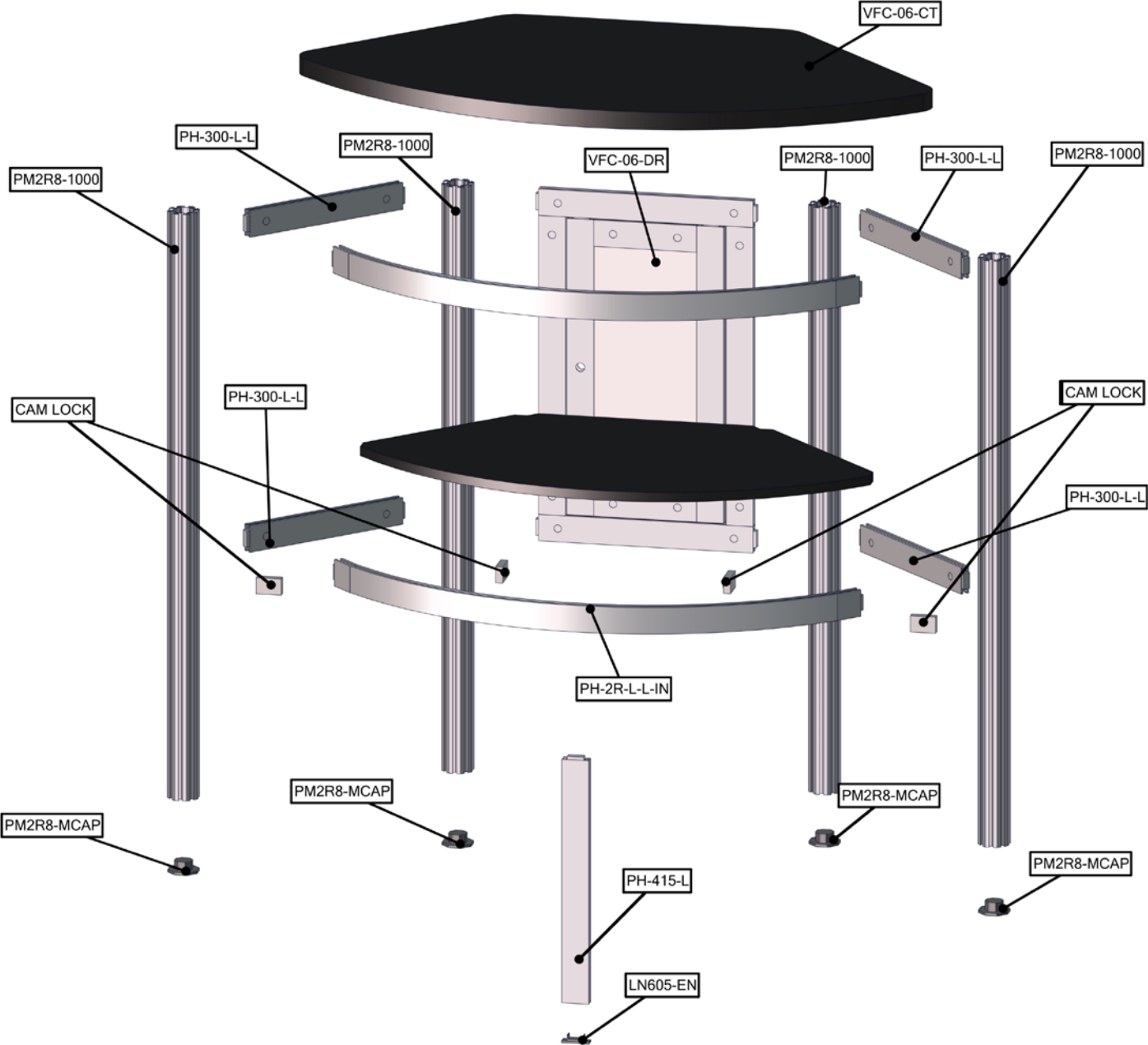
VFC-06-D-G x1



PM2R8-MCAP x4

Exploded View

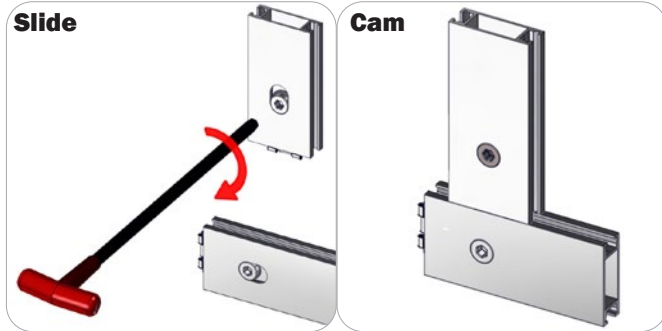
VFC-06



Connection Methods

Extrusion based structures use a number of different yet simple connection methods. Your kit will include one or more of the connection methods shown below. Steps within the Kit Assembly will reference a specific method for each connection point.

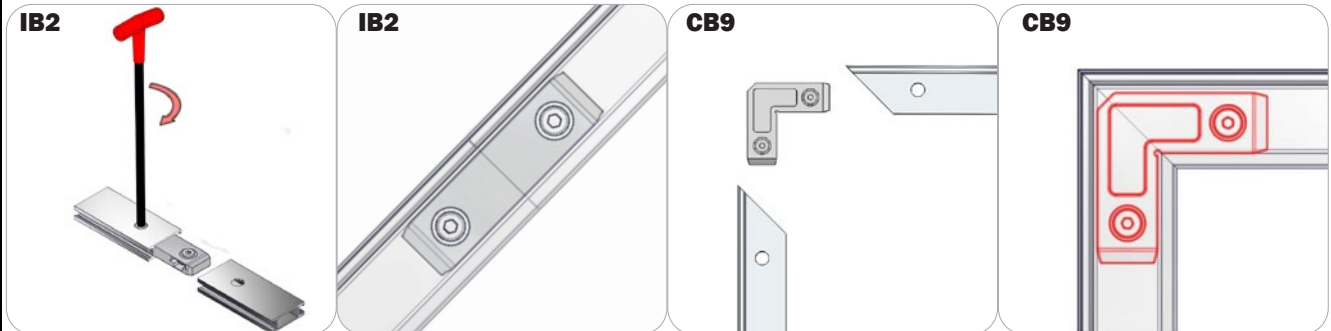
Connection Method 1: Cam Lock / Slide Lock



A cam lock equipped extrusion can lock to any cam lock channel. With the cam lock unlocked, set the teeth of the cam lock into the desired position on the cam lock channel. Using your allen key tool, carefully turn the lock clockwise to lock in place. Be sure to lock securely, but do not overtighten.

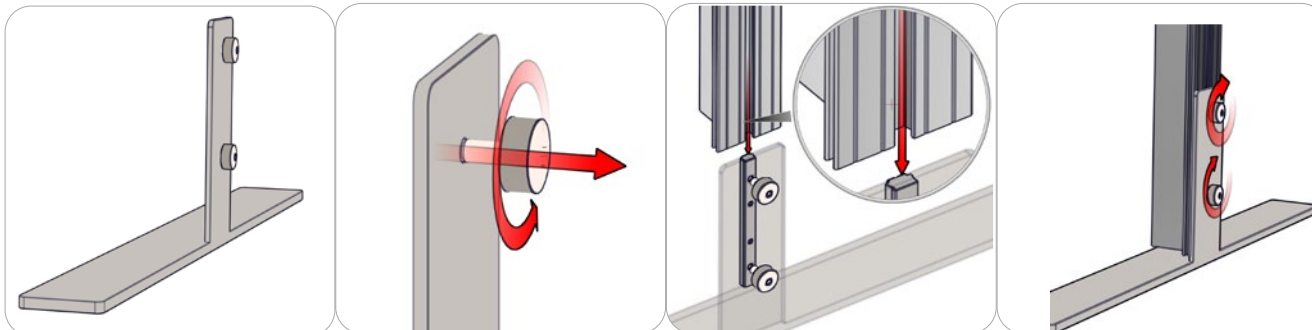
A slide lock equipped extrusion can also lock into any cam lock channel. When the slide lock is unlocked, pull back on the hex bolt head to retract the slide lock into the body of the extrusion. Slide locking procedure is the same as a cam lock.

Connection Method 2: IB2 / Corner Brackets



Press the hex bolt head in with your thumb and slide the extrusion and connector together so that the hex bolt head sits into the lock hole. Repeat with the second extrusion to the free end of the connector. Lock the extrusions together by turning carefully with the allen key tool. Be sure to lock securely, but do not overtighten.

Connection Method 3: SW-FOOT



An SW-FOOT assembly consists of two thumb screws, an LN100, and SW-FOOT baseplate. Start by loosening the thumb screws (it is best not to completely remove the screws). Slide the extrusion onto the LN100 by utilizing its back cam channel. When the extrusion rests on baseplate or ground (depending on application), tighten the thumb screws to lock in place. Do not overtighten.

Kit Assembly

Step by Step

Step 1.

Gather (2) PM2R8-100 extrusions and (1) PH-2R-L-L-IN. Lock together so that the top of the PH-2R-L-L-IN is flush with the top of the PM2R8-100s.

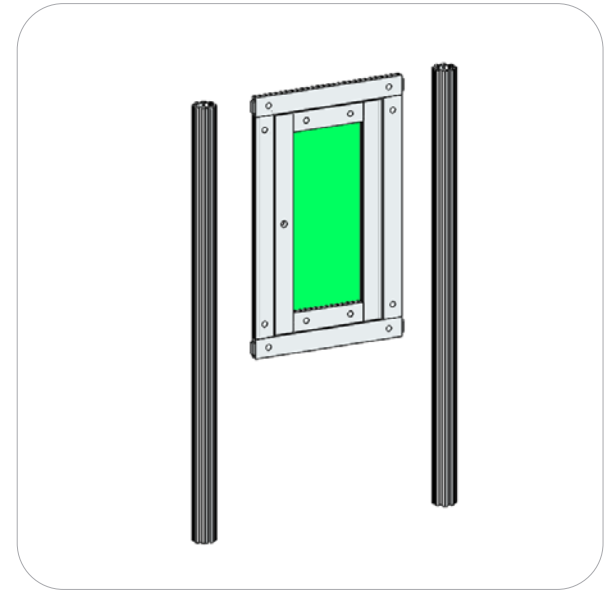
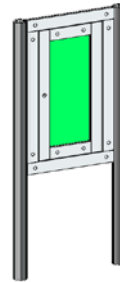
Please reference Connection Method 1 for more details.



Step 2.

Locate (2) PM2R8-100 and (1) VFC-06-DR. Lock the door to the PM2R8-100s so that the top of the door assembly is flush with the top of your PM2R8-100s.

Please reference Connection Method 1 for more details.



Step 3.

Combine Step 1 and Step 2 assemblies by adding (2) PH-300-S-S. Remember to lock the extrusions with the lock holes facing into the cabinet.

Please reference Connection Method 1 for more details.



Step 4.

Locate (4) CAM LOCKS. Lock each CAM LOCK into the corners of your VFC-06 assembly. Measure so that the bottom of the CAM LOCKS are flush to the bottom of the door assembly.

Please reference Connection Method 1 for more details.



Kit Assembly

Step by Step

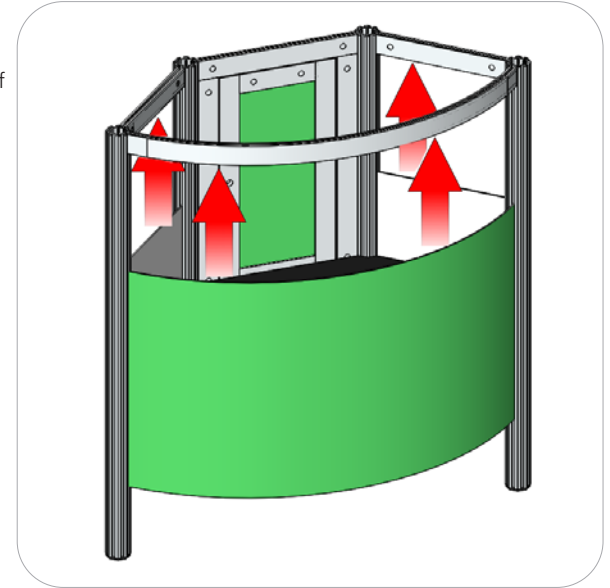
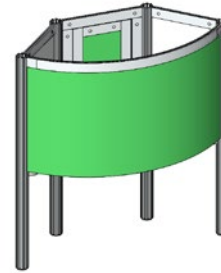
Step 5.

Apply your VFC-06-S internal shelf. Allow the shelf to rest on the installed CAM LOCKS.



Step 6.

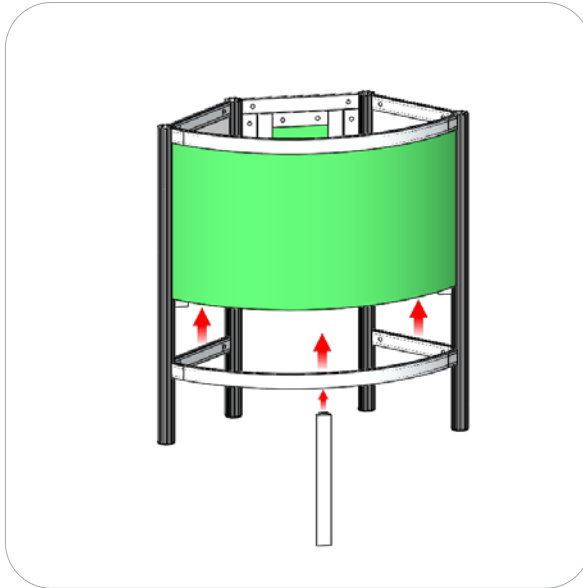
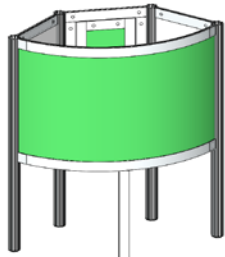
Slide your graphics up the sides of the cabinet until they rest against the top extrusions.



Step 7.

Add your second layer of extrusions to the bottom of the cabinet. You will need (2) PH-300-S-S, (1) PH-2R-L-L-IN, and (1) PH-415-L. Lock the PH-415-L to the center of the PH-2R-L-L-IN in its downward facing channel to create a 5th leg.

Please reference Connection Method 1 for more details.



Step 8.

Place your VFC-06-CT on top of your unit. Add the remaining plastic caps to the bottom of each extrusion touching the ground.

Setup Complete.

