

Orbital Truss Podiums

OR-P01 / OR-P01-P
 OR-P02 / OR-P02-P
 OR-P03 / OR-P03-P
 OR-P04 / OR-P04-P
 OR-P05 / OR-P05-P

Truss Podiums have several attractive design to choose from with a sleek plex top as an available option. Choose from 4 tabletop colors.



features and benefits:

- Kit includes:
 - 1 x 30" straight truss length
 - 1 x junction base A
 - 2 x 90° truss base
 - 1 x full set of quicklock connectors
 - 1 x podium top (plex stand-off optional)
- Toolless assembly
- Simple twist and lock design
- Choose from 4 tabletop colors
- 5 year warranty against manufacturer defects

dimensions:

Hardware:

Assembled unit:

CIRCLE:

28" w x 37" h x 28" d
 711mm(w) x 940mm(h) x 711mm(d)
 top: 24.75" dia. / 628.65mm(dia.)
 28" w x 38" h x 28" d (with plex)
 711mm(w) x 965mm(h) x 711mm(d)

TEARDROP:

28" w x 37" h x 28" d
 711mm(w) x 940mm(h) x 711mm(d)
 top: 24.75" dia. / 628.65mm(dia.)
 28" w x 38" h x 28" d (with plex)
 711mm(w) x 965mm(h) x 711mm(d)

EYE:

28" w x 37" h x 28" d
 711mm(w) x 940mm(h) x 711mm(d)
 top: 24.75" w x 24.75"
 28" w x 38" h x 28" d (with plex)
 711mm(w) x 965mm(h) x 711mm(d)

RACETRACK:

28" w x 37" h x 28" d
 711mm(w) x 940mm(h) x 711mm(d)
 top: 24.75" x 24.75"
 28" w x 38" h x 28" d (with plex)
 711mm(w) x 965mm(h) x 711mm(d)

SQUARE:

28" w x 37" h x 28" d
 711mm(w) x 940mm(h) x 711mm(d)
 top: 24.75" x 24.75"
 28" w x 38" h x 28" d (with plex)
 711mm(w) x 965mm(h) x 711mm(d)

Shipping:

Shipping dimensions:

12" x 27" x 50"
 305mm x 686mm x 1270mm

CIRCLE:

59.25 lbs / 27 kg
 63.75 lbs / 29 kg (with plex)

TEARDROP:

59.75 lbs / 27.1 kg
 64.25 lbs / 29.14 kg (with plex)

EYE:

60.25 lbs / 27.3 kg
 64.75 lbs / 29.4 kg (with plex)

RACETRACK:

60.5 lbs / 27.4 kg
 65 lbs / 29.5 kg (with plex)

SQUARE:

61 lbs / 27.6 kg
 65.5 lbs / 29.7 kg (with plex)

* May be shipped in a cardboard box or in one OCH; does not include a case.


additional information:

- Tabletop color options:




We are continually improving and modifying our product range and reserve the right to vary the specifications without prior notice. All dimensions and weights quoted are approximate and we accept no responsibility for variance. E&OE. See Graphic Templates for graphic bleed specifications.

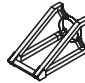
PODIUM PIECE COUNT:



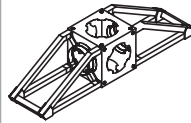
OR-24-2
0



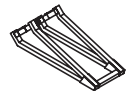
OR-30-2
1




OR-B90
2




OR-B90A
1




OR-B45
0



OR-TOOL-B
1



OR-QL-T2J
5




OR-QL-T2T
0

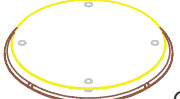
PODIUM TABLETOP OPTIONS:

INCLUDES 1 TOP; PLEX AVAILABLE OPTION

CIRCLE




OR-PO1

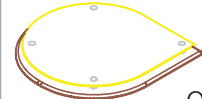


OR-PO1-P

TEARDROP




OR-PO2

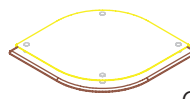


OR-PO2-P

EYE




OR-PO3

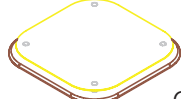


OR-PO3-P

RACETRACK

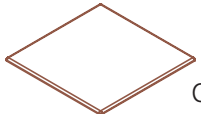


OR-PO4

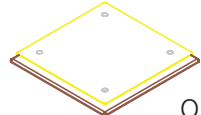


OR-PO4-P

SQUARE

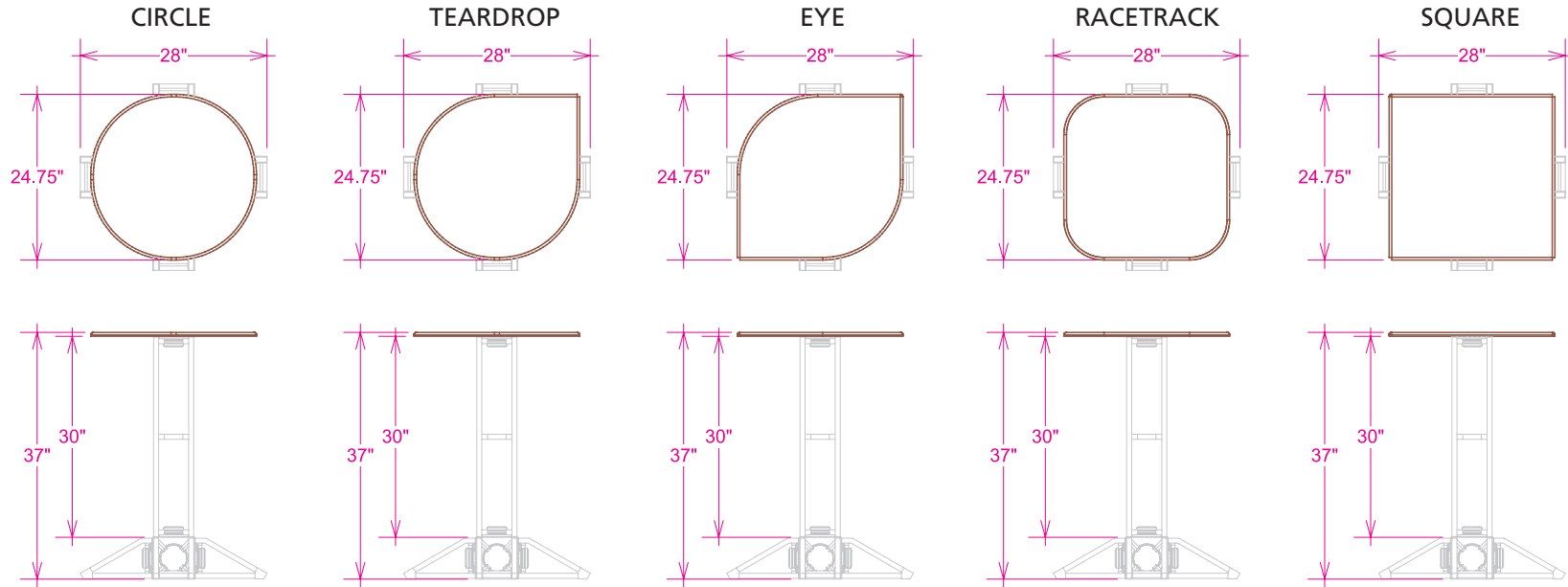


OR-PO5

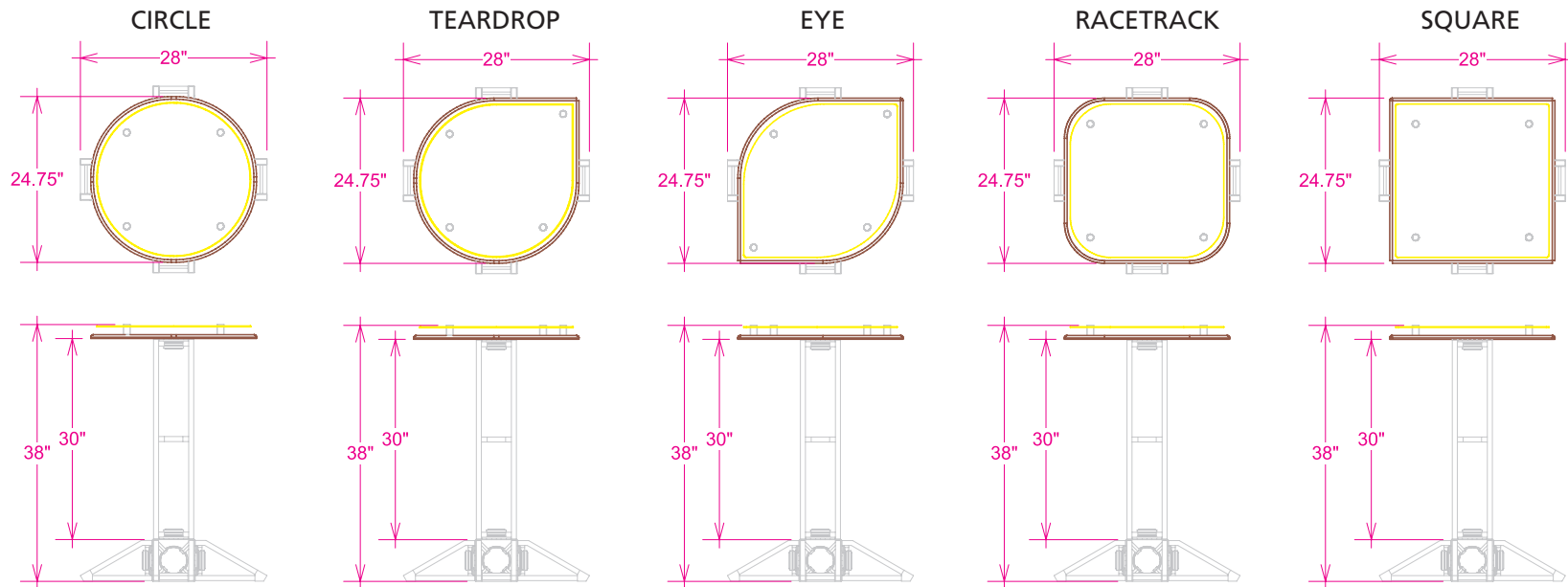


OR-PO5-P

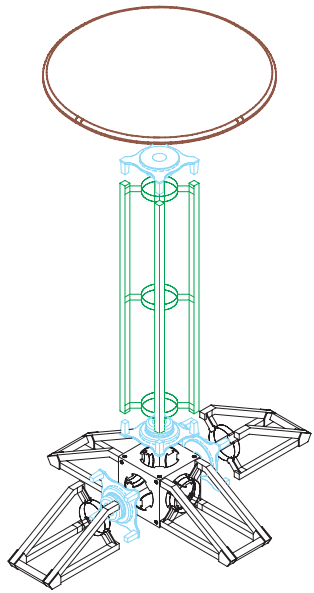
PODIUM DIMENSIONS:



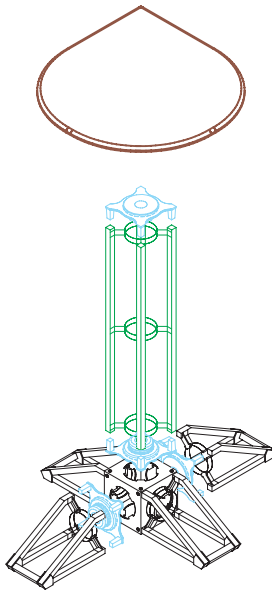
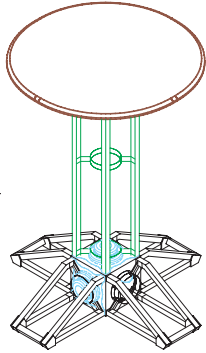
PODIUM DIMENSIONS (WITH PLEX OPTION):



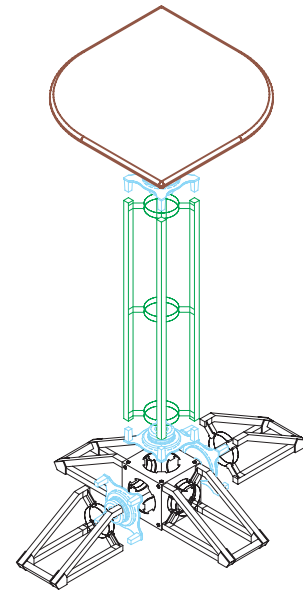
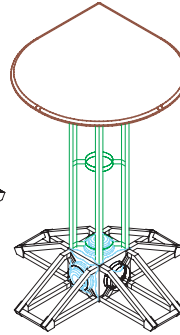
PODIUM COLOR CODED PARTS:



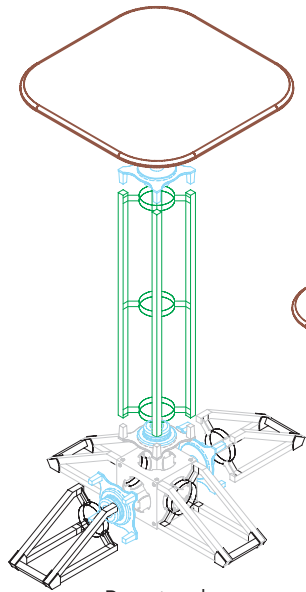
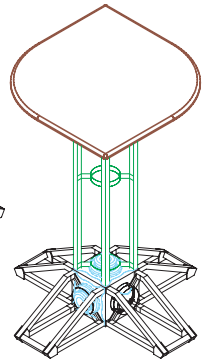
Circle
Parts exploded



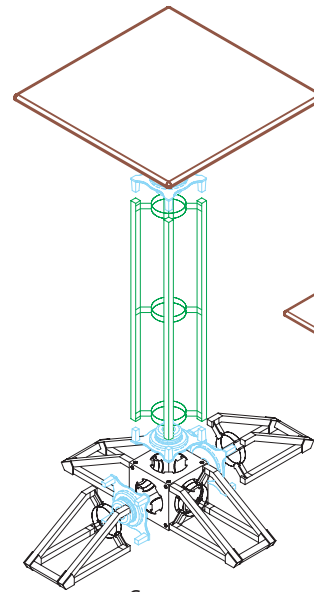
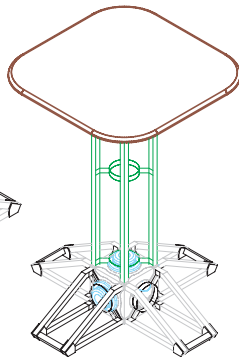
Teardrop
Parts exploded



Eye
Parts exploded



Racetrack
Parts exploded



Square
Parts exploded

