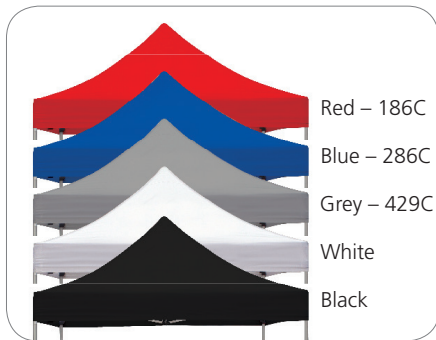


Zoom 10' Popup Tent

The Zoom Tent is great for outdoor fairs, exhibitions, sporting events and arenas, concerts, festivals and more. Strong, solid, stable, wind-resistant & durable. Graphics are long-lasting and can endure exposure to outdoor elements. Polyester canopies and sidewalls are water resistant and UV-resistant, providing the ultimate protection from the sun. Coverage area shades up to five people comfortably.



Standard Canopy, Fullwall & Halfwall
Stock Colors



*Optional hard shell
OCE expandable
case available
as an upgrade

We are continually improving and modifying our product range and reserve the right to vary the specifications without prior notice. All dimensions and weights quoted are approximate and we accept no responsibility for variance. E&OE. See Graphic Templates for graphic bleed specifications.

features and benefits:

- Various Kits offered:
- **Hardware Only Kit:** frame, stakes, guy ropes & rolling carry bag
- **Canopy Kit:** canopy (standard color or custom printed), hardware frame, stakes, guy ropes & rolling carry bag
- **Halfwall Kit:** halfwall panel (standard or custom print), halfwall pole & two brackets
- **Halfwall Hardware Only Kit:** one halfwall bar and two halfwall mounting brackets
- **Fullwall Panel or Halfwall Panel:** in standard color or custom digital print; sold separately
- Opens to base size of 9.6'w x 9.6'h
- Folds compactly into portable, rolling carry bag
- Custom graphics offered for canopy, fullwall and halfwalls
- One year hardware warranty against manufacturer defects
- Six month graphics limited warranty
- Usage in adverse weather voids all warranties

dimensions:

Hardware	Custom Graphic Specs
Assembled unit: (four sides) Open dimensions: 115" w x 135.43" h (per side) Closed dimensions: 9.4" w x 62" h (per side) Approx. frame weight: 34 lbs / 15.4 kgs Approx. rolling carry bag weight: 3 lbs / 1.36 kgs	Refer to related graphic template for more information. Visit: www.exhibitors-handbook.com/graphic-templates

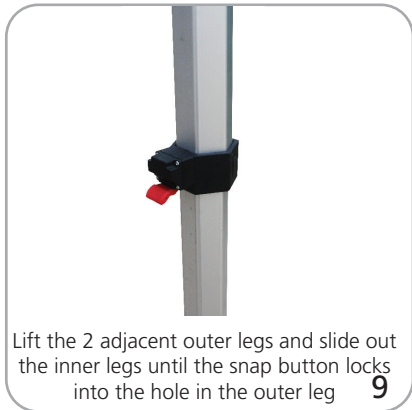
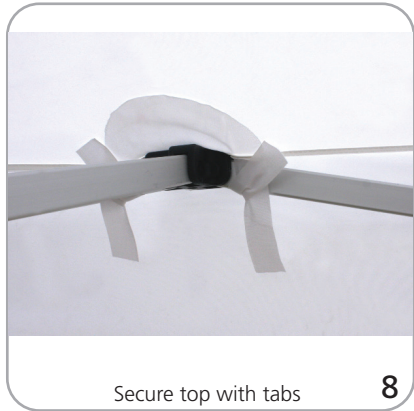
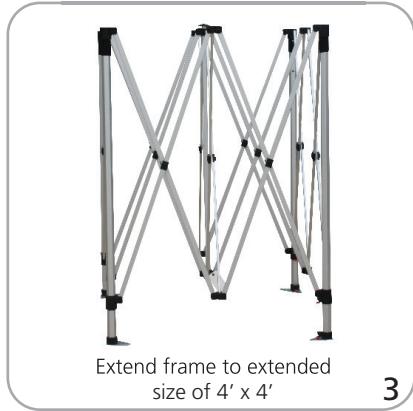
additional information:

Custom digital print graphic material: outdoor canvas Standard color material: 420D polyester PU coating Color options: white, black, blue, grey, red Pantone® provided is closest match	Codes and shipping dimensions on pg. 2 Optional set of 4, 22 lb. ea. steel weighted bases available; Code: TNT-STEEL-BASE-K Additional set of 4 pegs and 3.5 meter guy ropes available; Code: TNT-PEG-KIT Canopy, fullwall and halfwall should be removed after use and packed separately from hardware to avoid damage to graphic.
---	--

Codes / Shipping:

Description:	Code:	Shipping dimensions:	Approximate ship weight:
Hardware Only Kit	TNT-3MX3M-FRM-HEX	66"l x 12"w x 12"d	44 lbs / 19.96 kgs
Canopy – White w/Hardware Kit	TNT-3MX3M-HEX-WHT	Box 1: 66"l x 12"w x 12"d; Box 2: 24"l x 14"w x 4"d	48 lbs / 21.77 kgs
Canopy – Black w/Hardware Kit	TNT-3MX3M-HEX-BLK	Box 1: 66"l x 12"w x 12"d; Box 2: 24"l x 14"w x 4"d	48 lbs / 21.77 kgs
Canopy – Blue w/Hardware Kit	TNT-3MX3M-HEX-BLU	Box 1: 66"l x 12"w x 12"d; Box 2: 24"l x 14"w x 4"d	48 lbs / 21.77 kgs
Canopy – Gray w/Hardware Kit	TNT-3MX3M-HEX-GRY	Box 1: 66"l x 12"w x 12"d; Box 2: 24"l x 14"w x 4"d	48 lbs / 21.77 kgs
Canopy – Red w/Hardware Kit	TNT-3MX3M-HEX-RED	Box 1: 66"l x 12"w x 12"d; Box 2: 24"l x 14"w x 4"d	48 lbs / 21.77 kgs
Canopy – Custom Graphic w/Hardware Kit	TNT-3MX3M-HEX-G	Box 1: 66"l x 12"w x 12"d; Box 2: 18"l x 12"w x 4"d	51 lbs / 23.13 kgs
Canopy – White	TNT-CAN-WHT	24"l x 14"w x 4"d	5 lbs / 2.27 kgs
Canopy – Black	TNT-CAN-BLK	24"l x 14"w x 4"d	5 lbs / 2.27 kgs
Canopy – Blue	TNT-CAN-BLU	24"l x 14"w x 4"d	5 lbs / 2.27 kgs
Canopy – Gray	TNT-CAN-GRY	24"l x 14"w x 4"d	5 lbs / 2.27 kgs
Canopy – Red	TNT-CAN-RED	24"l x 14"w x 4"d	5 lbs / 2.27 kgs
Canopy – Custom Graphic	TNT-CAN-G	18"l x 12"w x 4"d	7 lbs / 3.18 kgs
Fullwall Panel – White	TNT-FLL-WLL-WHT	24"l x 14"w x 4"d	3 lbs / 1.36 kgs
Fullwall Panel – Black	TNT-FLL-WLL-BLK	24"l x 14"w x 4"d	3 lbs / 1.36 kgs
Fullwall Panel – Blue	TNT-FLL-WLL-BLU	24"l x 14"w x 4"d	3 lbs / 1.36 kgs
Fullwall Panel – Gray	TNT-FLL-WLL-GRY	24"l x 14"w x 4"d	3 lbs / 1.36 kgs
Fullwall Panel – Red	TNT-FLL-WLL-RED	24"l x 14"w x 4"d	3 lbs / 1.36 kgs
Fullwall Panel – Custom Graphic	TNT-FLL-WLL-G	18"l x 12"w x 4"d	5 lbs / 2.27 kgs
Halfwall Hardware Only Kit	TNT-HLF-WLL-KIT	62"l x 5"w x 5"d	1 lb / 0.45 kg
Halfwall – White w/Halfwall Hardware Kit	TNT-HLF-K-WHT	Box 1: 62"l x 5"w x 5"d; Box 2: 24"l x 14"w x 4"d	3 lbs / 1.36 kgs
Halfwall – Black w/Halfwall Hardware Kit	TNT-HLF-K-BLK	Box 1: 62"l x 5"w x 5"d; Box 2: 24"l x 14"w x 4"d	3 lbs / 1.36 kgs
Halfwall – Blue w/Halfwall Hardware Kit	TNT-HLF-K-BLU	Box 1: 62"l x 5"w x 5"d; Box 2: 24"l x 14"w x 4"d	3 lbs / 1.36 kgs
Halfwall – Gray w/Halfwall Hardware Kit	TNT-HLF-K-GRY	Box 1: 62"l x 5"w x 5"d; Box 2: 24"l x 14"w x 4"d	3 lbs / 1.36 kgs
Halfwall – Red Halfwall Hardware Kit	TNT-HLF-K-RED	Box 1: 62"l x 5"w x 5"d; Box 2: 24"l x 14"w x 4"d	3 lbs / 1.36 kgs
Halfwall – Custom Graphic w/Halfwall Hardware Kit	TNT-HLF-K-G	Box 1: 62"l x 5"w x 5"d; Box 2: 18"l x 12"w x 4"d	8 lbs / 3.63 kgs
Halfwall Panel – White	TNT-HLF-WLL-WHT	24"l x 14"w x 4"d	2 lbs / 0.91 kgs
Halfwall Panel – Black	TNT-HLF-WLL-BLK	24"l x 14"w x 4"d	2 lbs / 0.91 kgs
Halfwall Panel – Blue	TNT-HLF-WLL-BLU	24"l x 14"w x 4"d	2 lbs / 0.91 kgs
Halfwall Panel – Gray	TNT-HLF-WLL-GRY	24"l x 14"w x 4"d	2 lbs / 0.91 kgs
Halfwall Panel – Red	TNT-HLF-WLL-RED	24"l x 14"w x 4"d	2 lbs / 0.91 kgs
Halfwall Panel – Custom Graphic	TNT-HLF-WLL-G	18"l x 12"w x 4"d	3 lbs / 1.36 kgs
Steel Base Kit	TNT-STEEL-BASE-K kit of 4 weights	1 Box of 2 Weights: 11"l x 12"w x 3"d	44 lbs per box of 2 weights (22 lbs each); Total kit weight (ships 2 boxes): 88 lbs / 40 kg

Set-up



Fullwall Set-up



Apply fullwall to top Velcro strip inside canopy

1



Secure to side poles with Velcro strips (x4 per pole)

2



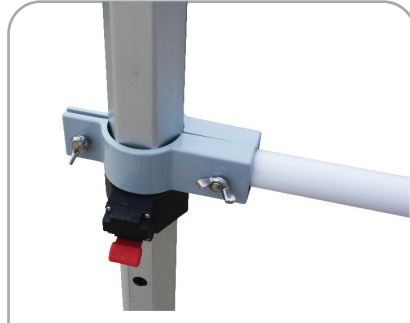
Fullwall application is complete

3



Apply halfwall panel on provided halfwall pole

2



Attach second halfwall bracket to opposite tent pole

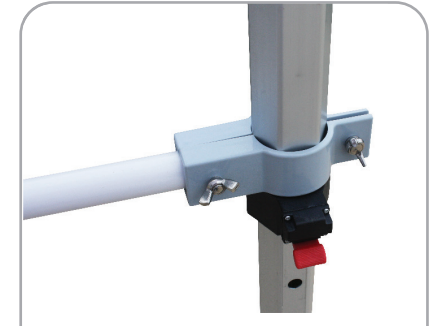
3



Attach each side of pole to pole collar; Secure with Velcro strip (x3)

4

Halfwall Set-up



Attach one halfwall bracket to one tent pole

1



Halfwall application is complete

5

90 day warranty



Optional set of four (22 lb ea.) steel weighted bases available
Caution: do NOT pack inside rolling bag or case

90 day warranty



Additional set of 4 pegs and 3.5 meter guy ropes

Check out these related products:

Outdoor signage, flags and displays are great for outdoor sporting events and arenas, concerts, festivals or to draw attention to any storefront. Outdoor display products are strong, solid, stable, wind-resistant and durable. Graphics are long-lasting and can endure exposure to outdoor elements.



Wind Dancer LT



Zoom 3



Zoom 4



Zoom 5



Blizzard



Monsoon