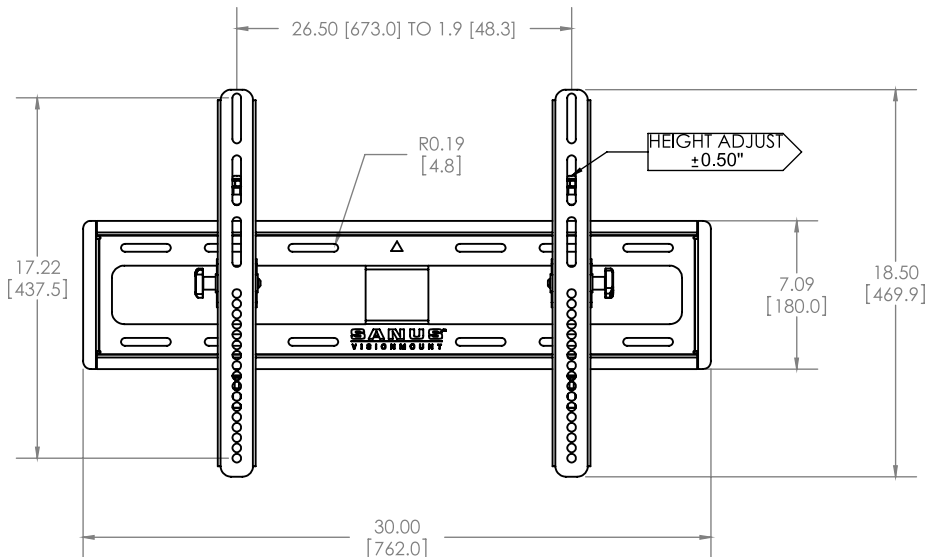


# Orbital Monitor Mount 3

OR-LCD3-B



## features and benefits:

- Medium monitor mount
- Ideal for Orbital Express Truss
- Monitor size 32" - 70"; monitor max weight per product changes based on application
- Black finish
- Adjustable TV brackets offer lateral shift ability to achieve perfect placement
- Five year limited warranty against manufacturer defects

## dimensions:

Hardware	Shipping
Assembled unit: 30" w x 18.5" h x 1.81" d 762mm(w) x 470mm(h) x 46mm(d)	Shipping dimensions: 37.5" w x 9.0625" h x 5" d 952.5mm(w) x 230mm(h) x 127mm(d)
Tilt 10° / -9°	Shipping weight: 14 lbs / 6.35 kgs

## additional information:

- Monitor not included
- Universal mounting brackets fit nearly all flat panel tvs

We are continually improving and modifying our product range and reserve the right to vary the specifications without prior notice. All dimensions and weights quoted are approximate and we accept no responsibility for variance. E&OE. See Graphic Templates for graphic bleed specifications.

### OR-LCD3

Secure monitor mount to orbital truss monitor bracket using bolts and washers as shown.

QTY	CODE	DESCRIPTION
1	OR-TVA-BKT	Truss TV bracket, two piece adaptor
1	VMPL50A	SANUS TILTING MOUNT FOR 32" - 70" FLAT-PANEL MONITORS

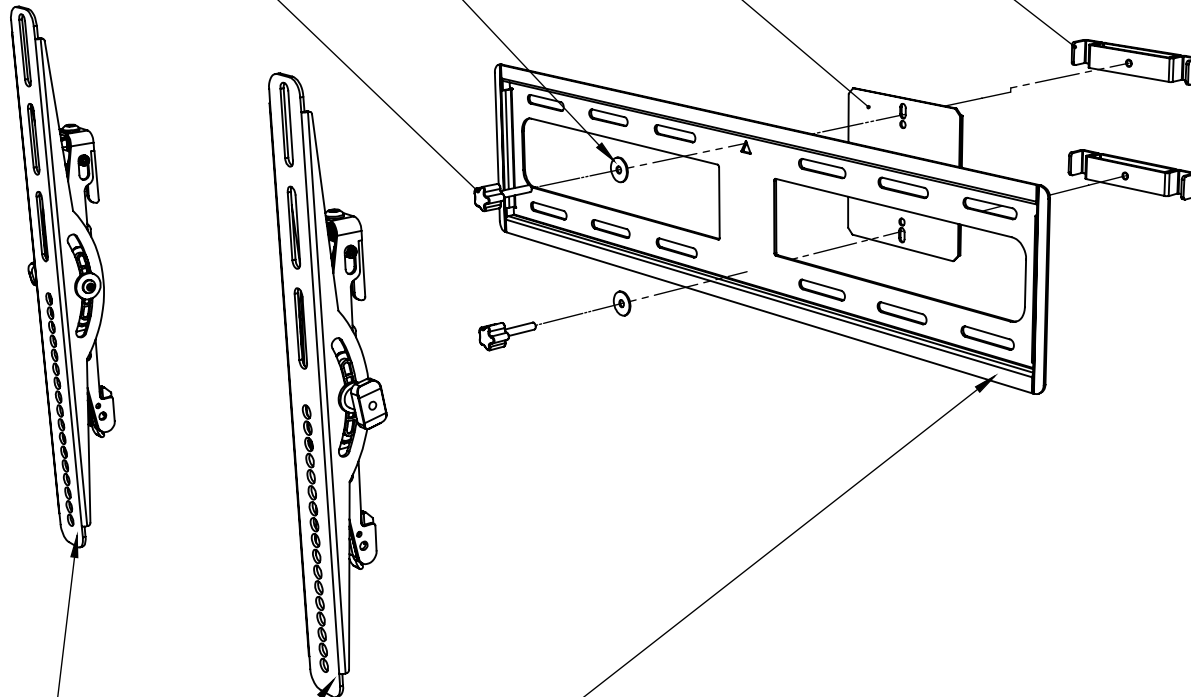
#### OR-TVA-BKT:

OR-KNOB-2

91525A119

OR-TVA-PLT

OR-TVA-PBKT



**VMPL50A:** VMPL50A [01] VMPL50A [02] VMPL50A [03]