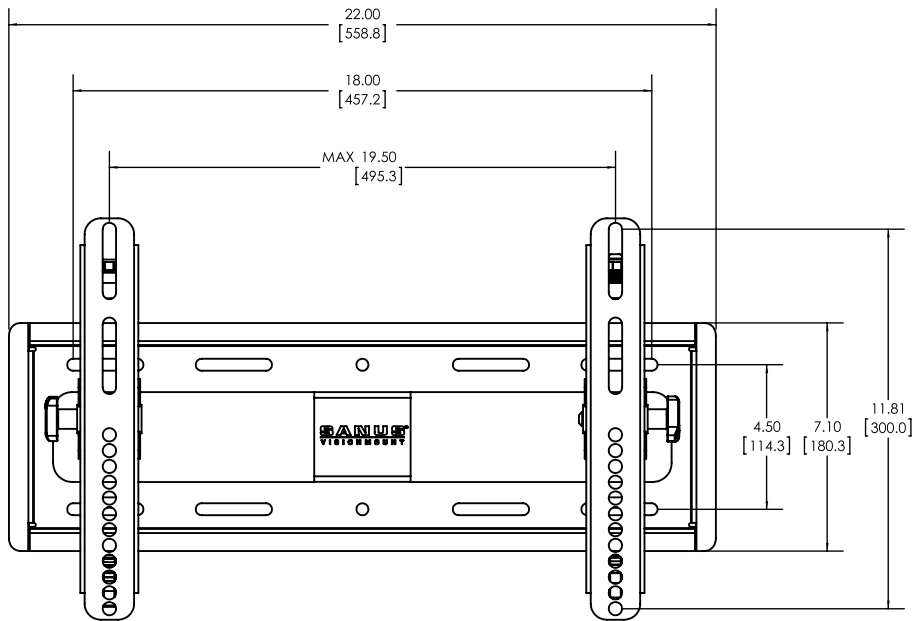


Orbital Monitor Mount 2

OR-LCD2-B



We are continually improving and modifying our product range and reserve the right to vary the specifications without prior notice. All dimensions and weights quoted are approximate and we accept no responsibility for variance. E&OE. See Graphic Templates for graphic bleed specifications.

04/02/15

features and benefits:

- Medium monitor mount
- Ideal for Orbital Express Truss
- Monitor size 26" - 40"; monitor max weight per product changes based on application
- Black finish
- Five year warranty against manufacturer defects

dimensions:

Hardware	Shipping
Assembled unit: 22" w x 11.8" h x 2.3" d 559mm(w) x 300mm(h) x 58.42mm(d)	Shipping dimensions: 24" l x 10" h x 4" d 610mm(l) x 254mm(h) x 102mm(d)
Tilt 10° / -10°	Shipping weight: 11 lbs / 5 kgs

additional information:

- Monitor not included
- Universal mounting brackets fit nearly all flat panel tvs

OR-LCD2

Secure monitor mount to orbital truss monitor bracket using bolts and washers as shown.

QTY	CODE	DESCRIPTION
1	OR-TVA-BKT	Truss TV bracket, two piece adapter
1	VMT35	SANUS TILTING MOUNT FOR 26" - 40" FLAT-PANEL MONITORS

