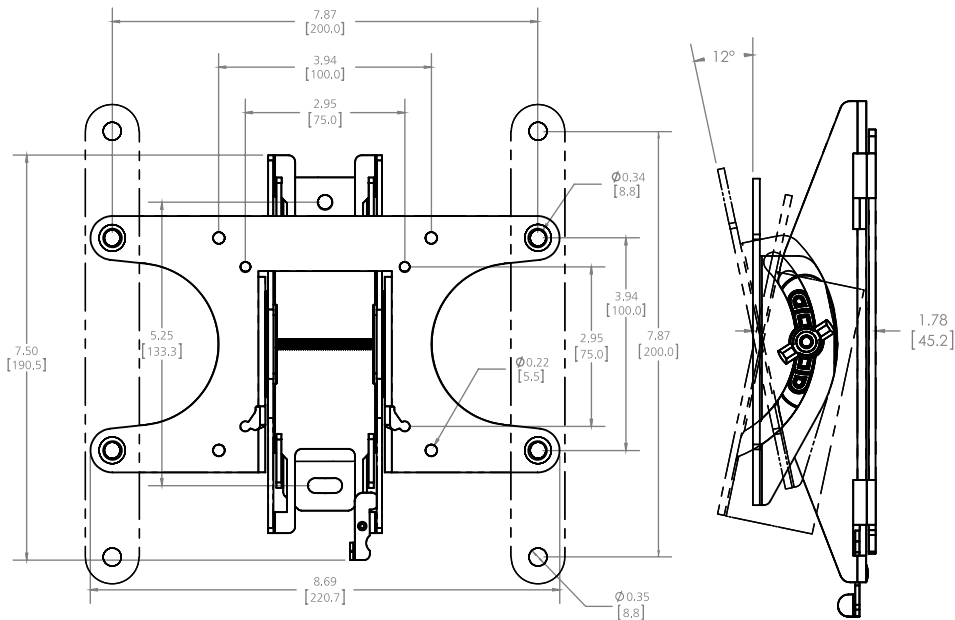


Orbital Monitor Mount 1

OR-LCD1-B



features and benefits:

- Small monitor mount
- Ideal for Orbital Express Truss
- Monitor size 13" - 39"; monitor max weight per product changes based on application
- Black
- Easily adjust mounted tv
- Five year warranty against manufacturer defects

dimensions:

Hardware

Assembled unit:
8.69" w x 7.5" h x 1.78" d
220.7mm(w) x 190.5mm(h) x 45mm(d)

Tilt 12° / -12°

Shipping

Shipping dimensions:
10" l x 8" h x 3" d
254mm(l) x 203mm(h) x 76mm(d)

Shipping weight:
5 lbs / 2.26 kgs

additional information:

- Monitor not included

We are continually improving and modifying our product range and reserve the right to vary the specifications without prior notice. All dimensions and weights quoted are approximate and we accept no responsibility for variance. E&OE. See Graphic Templates for graphic bleed specifications.

OR-LCD Exploded View:

Secure monitor mount to orbital truss bracket with bolts and washers as shown below.

QTY	CODE	DESCRIPTION
1	OR-TVA-BKT	Truss TV bracket, two piece adaptor
1	VMPL50A	SANUS TILTING MOUNT FOR 32" - 70" FLAT-PANEL MONITORS

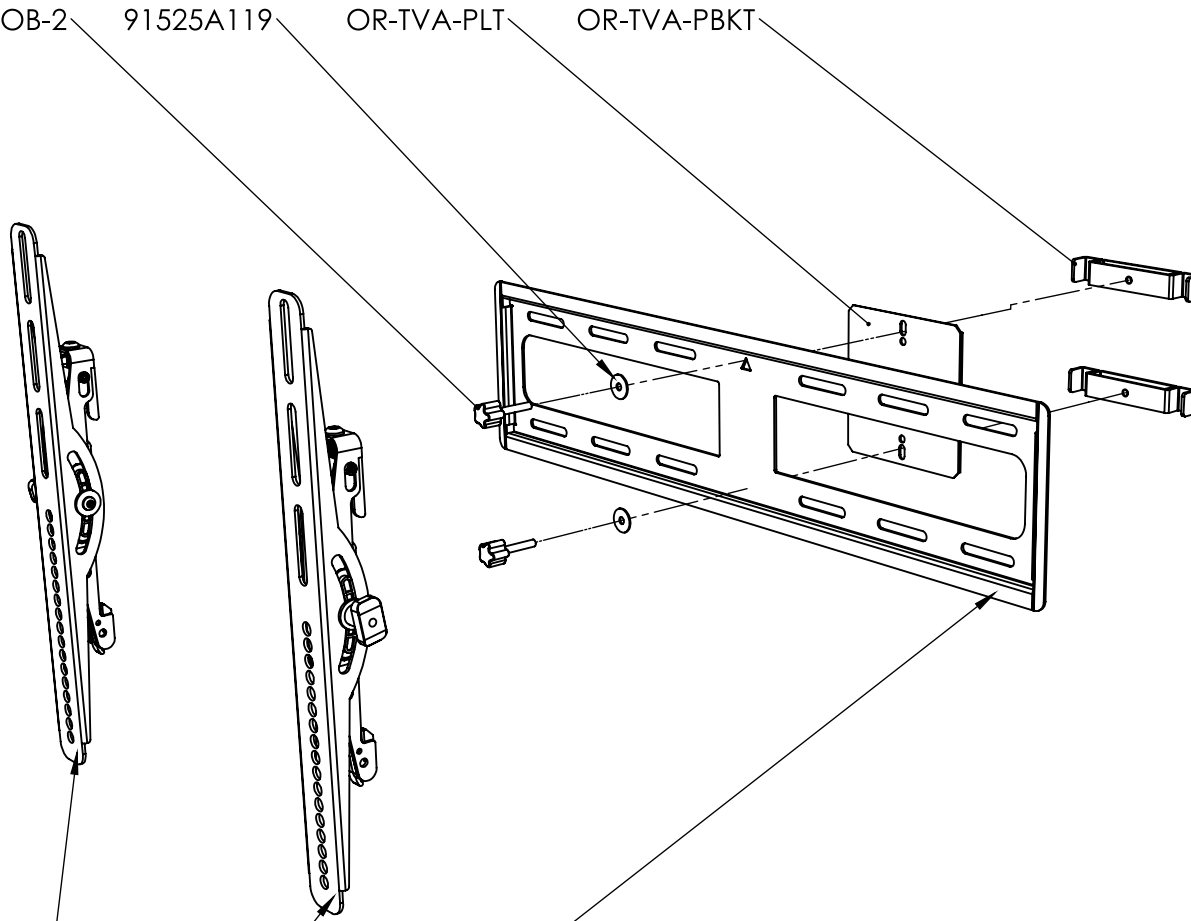
OR-TVA-BKT:

OR-KNOB-2

91525A119

OR-TVA-PLT

OR-TVA-PBKT



VMPL50A: VMPL50A [01]

VMPL50A [02]

VMPL50A [03]