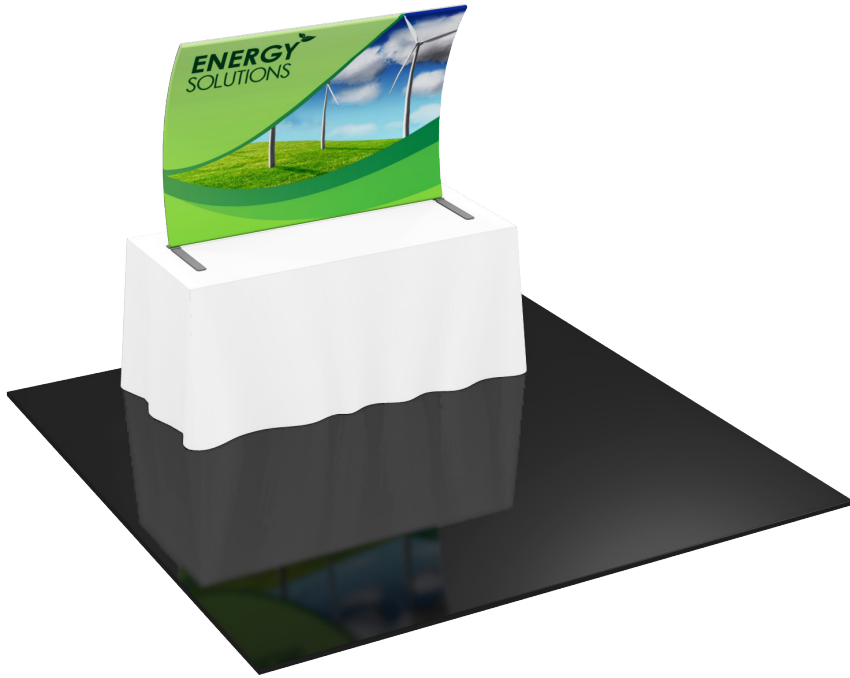


Formulate Tabletop 2

FMLT-WTT-V02

Formulate™ is a collection of sophisticated, ergonomically designed exhibit booths. Formulate combines state-of-the-art zipper pillowcase dye-sublimated fabric coverings with advanced lightweight aluminum structures to provide unique design, functionality, and style. The excellence of the Formulate line of displays, hanging structures and products is simply unmatched. Stretch fabric graphics are hand-sewn, durable and dry-cleanable.



features and benefits:

- State-of-the-art 30mm aluminum tube frame with snap button assembly
- Fits on a 6ft wide table
- Easy to store and ship
- Quick to assemble
- Kit includes: one frame, one dye-sublimated zipper pillowcase graphic, and one wheeled molded OCA-2 storage case
- Lifetime hardware warranty against manufacturer defects

dimensions:

Hardware	Graphic
<p>Assembled unit: 61.9685" w x 43.9731" h x 15.9244" d</p> <p>Approximate weight: 12.33 lbs / 5.6 kgs</p>	<p>Total visual area: 62" w x 45.5" h 1575mm(w) x 1156mm(h)</p> <p>Please be sure to include a 2" bleed around the perimeter.</p> <p>Refer to related graphic template for more information.</p>
<p>Shipping</p> <p>Shipping dimensions: 1 OCA-2 case: 34" l x 15" w x 7" h 864mm(l) x 381mm(w) x 178mm(h)</p> <p>Approximate shipping weight (with case): 20.33 lbs / 9.22 kgs</p>	<p>Visit: www.exhibitors-handbook.com/graphic-templates</p>

additional information:

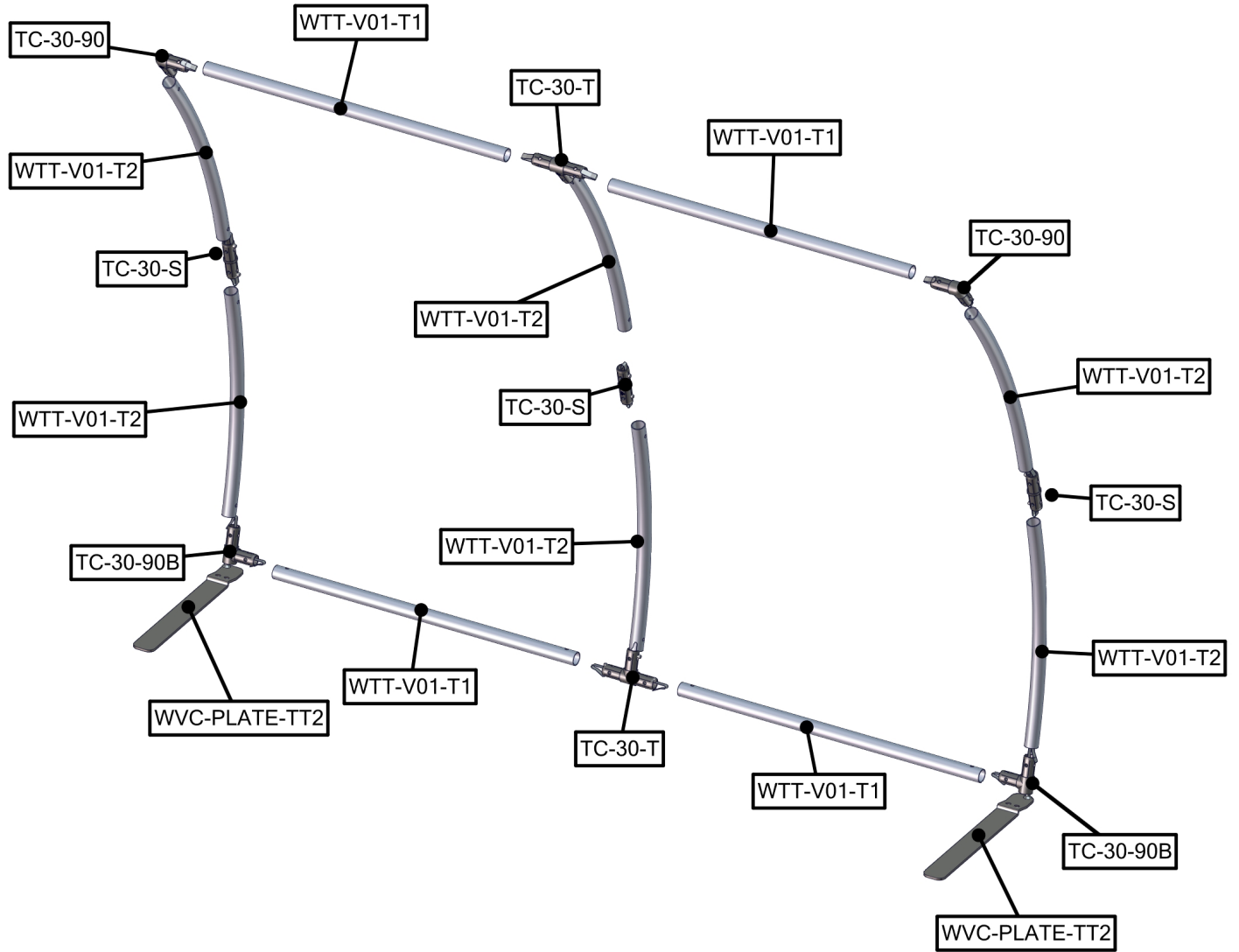
Graphic material:
dye-sublimated zipper pillowcase fabric



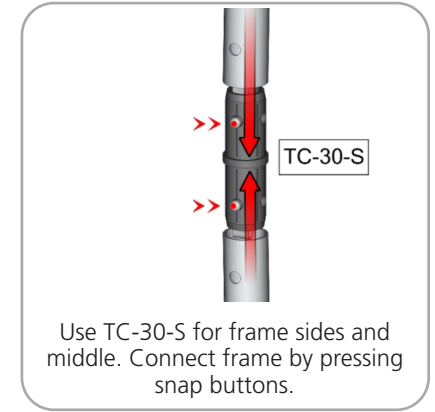
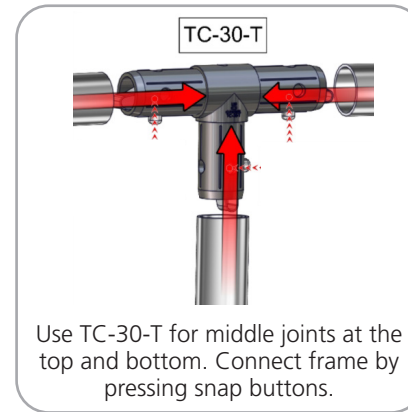
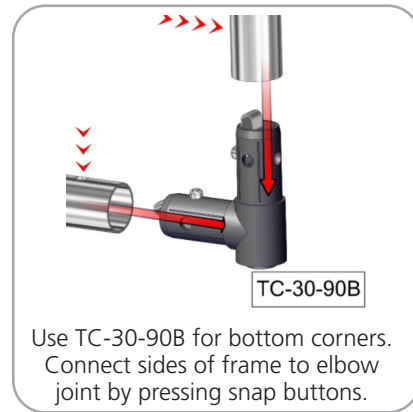
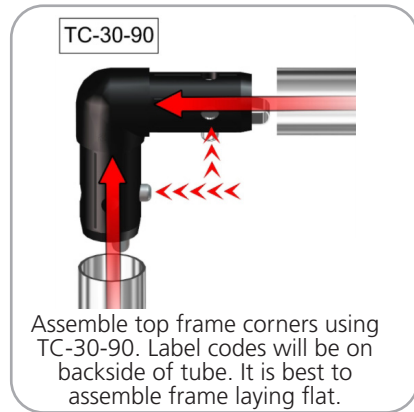
www.display-setup-animations.com

We are continually improving and modifying our product range and reserve the right to vary the specifications without prior notice. All dimensions and weights quoted are approximate and we accept no responsibility for variance. E&OE. See Graphic Templates for graphic bleed specifications.

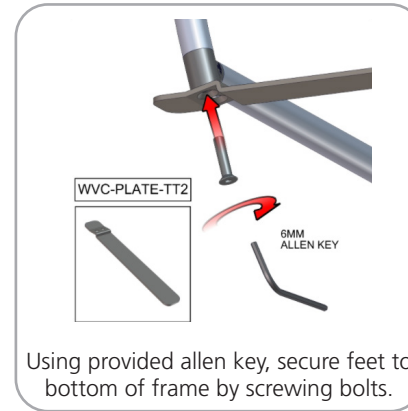
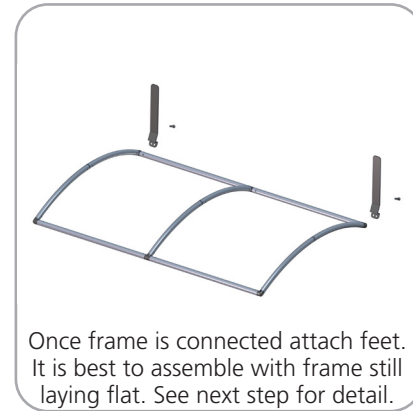
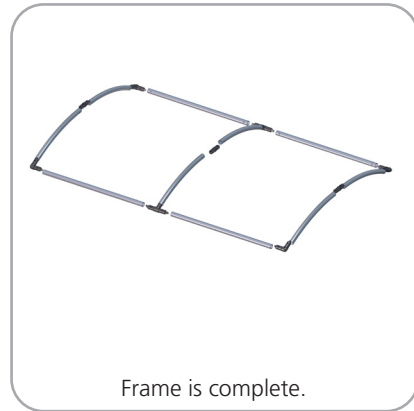
Parts Included		
Part Label	Qty	Part Code
LN114 BOLT	x2	LN114 BOLT
90 DEGREE ELBOW JOINT FOR 30MM TUBING WITH INSERT FOR BASEPLATE	x2	TC-30-90B
90 DEGREE ELBOW JOINT FOR 30MM TUBING	x2	TC-30-90
INLINE CONNECTOR FOR 30MM TUBING	x3	TC-30-S
T JUNCTION FOR 30MM TUBING	x2	TC-30-T
30MM STRAIGHT TUBE (738MM)	x4	WTT-V01-T1
30MM CURVED TUBE (R1210MM X 550MM)	x6	WTT-V01-T2
STEEL PLATE FOR WVC TT2	x2	WVC-PLATE-TT2
TABLETOP FABRIC GRAPHIC	x1	WTT-V02-G



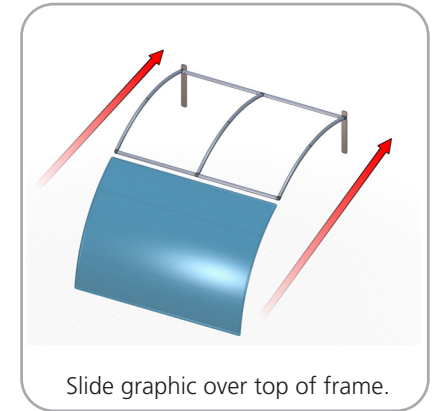
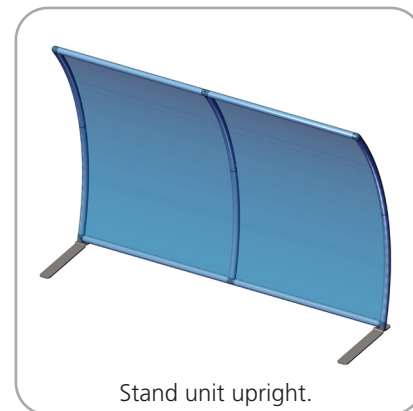
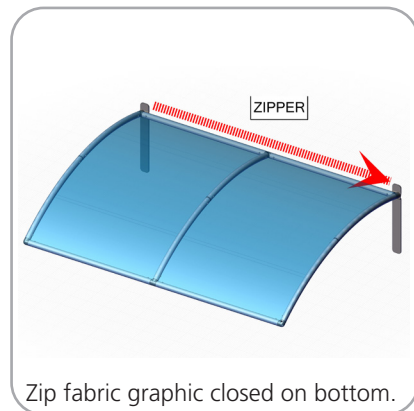
STEP 1: ASSEMBLE FRAME



STEP 2: ATTACH FEET



STEP 3: ATTACH GRAPHIC



Check out these related products:

The Formulate line is a collection of stylish, ergonomically designed tabletop, 8ft, 10ft, 20ft exhibits, hanging structures, and display accessories. Formulate combines state-of-the-art zipper pillowcase dye-sublimated fabric coverings with a premium lightweight aluminum structure. Formulate is efficient, easy to assemble and disassemble, and offers remarkable style options and choices.



Formulate Shark Fin



Formulate 8ft Kits



Formulate 10ft Kits
(Horizontal Curve)



Formulate 10ft Kits
(Vertical Curve)



Formulate 10ft Kits
(Straight)



Formulate 20ft Kits



Formulate Hanging Structures