

# Vector Frame Edge

VFE-S-01      VFE-R-01  
 VFE-S-02      VFE-R-02  
 VFE-S-03      VFE-R-03  
 VFE-S-04      VFE-R-04  
 VFE-S-05

Vector Frame™ Edge fabric poster displays combine durable, slim lightweight less than 1" aluminum extrusion frames and easy-to-apply push-fit fabric graphics. Custom frame sizes are available.

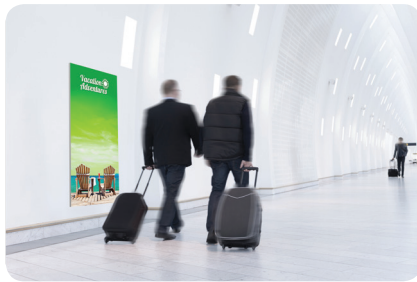


## features and benefits:

- Slim, lightweight less than 1" aluminum frame
- Easy-to-apply push-fit fabric graphic
- Wall mounting hardware included
- Easy assembly
- Custom frame sizes are available
- Lifetime hardware warranty against manufacturer defects

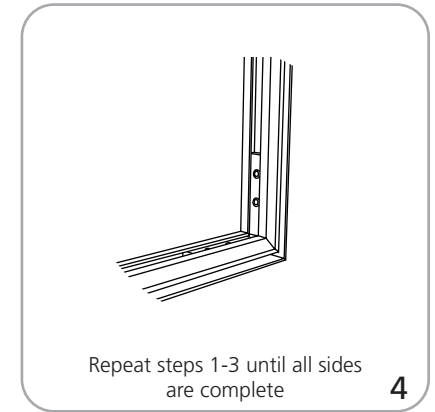
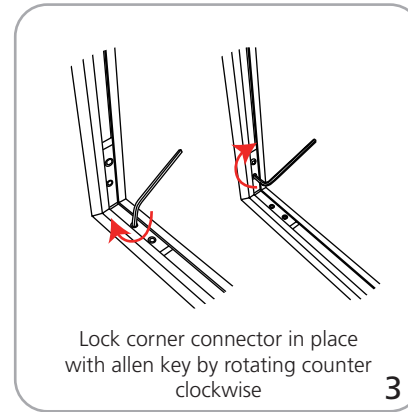
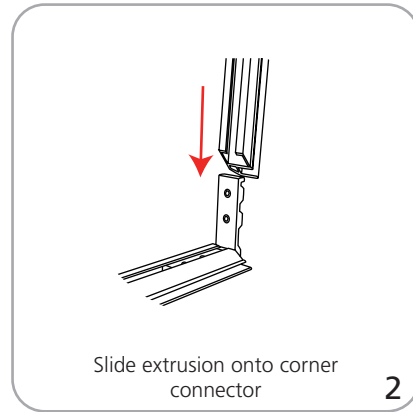
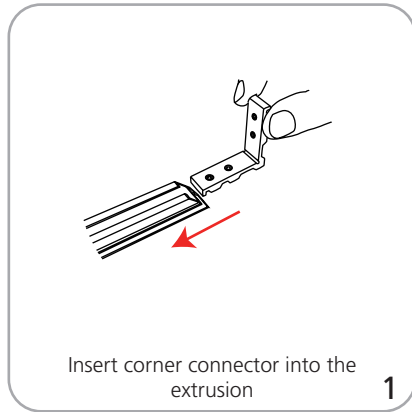
## dimensions:

| Hardware  | Graphic  |
|---|--|
| <p><b>Assembled unit &amp; approx. hardware weight:</b></p> <p><b>VFE-S-01:</b> 11.8" w x 11.8" h x .79" d<br/>1 lb/.45 kgs</p> <p><b>VFE-S-02:</b> 23.62" w x 23.62" h x .79" d<br/>1.5lbs/.68 kgs</p> <p><b>VFE-S-03:</b> 35.43" w x 35.43" h x .79" d<br/>2.25 lbs/1.02 kgs</p> <p><b>VFE-S-04:</b> 47.24" w x 47.24" h x .79" d<br/>3 lbs/1.36 kgs</p> <p><b>VFE-S-05:</b> 59.06" w x 59.06" h x .79" d<br/>3.5 lbs/1.59 kgs</p> <p><b>VFE-R-01:</b> 11.8" w x 23.62" h x .79" d<br/>1.25 lbs/.57 kgs</p> <p><b>VFE-R-02:</b> 11.8" w x 35.43" h x .79" d<br/>1.5 lbs/.68 kgs</p> <p><b>VFE-R-03:</b> 23.62" w x 35.43" h x .79" d<br/>2 lbs/.91 kgs</p> <p><b>VFE-R-04:</b> 23.62" w x 47.24" h x .79" d<br/>2 lbs/.91 kgs</p> | <p>Refer to related graphic templates for more information.</p> <p>Visit: <a href="http://www.exhibitors-handbook.com/graphic-templates">www.exhibitors-handbook.com/graphic-templates</a></p> |
| Shipping  |  |
| <p><b>Shipping dimensions (ships in a box) &amp; approx. weight (without graphic):</b></p> <p><b>VFE-S-01:</b> 28" l x 6" w x 6" h / 2 lbs / .91 kgs</p> <p><b>VFE-S-02:</b> 28" l x 6" w x 6" h / 3 lbs / 1.36 kgs</p> <p><b>VFE-S-03:</b> 38" l x 5" w x 5" h / 4 lbs / 1.81 kgs</p> <p><b>VFE-S-04:</b> 50" l x 6" w x 6" h / 5 lbs / 2.27 kgs</p> <p><b>VFE-S-05:</b> 62" l x 5" w x 5" h / 6 lbs / 2.72 kgs</p> <p><b>VFE-R-01:</b> 28" l x 6" w x 6" h / 3 lbs / 1.36 kgs</p> <p><b>VFE-R-02:</b> 38" l x 5" w x 5" h / 3 lbs / 1.36 kgs</p> <p><b>VFE-R-03:</b> 38" l x 5" w x 5" h / 3 lbs / 1.36 kgs</p> <p><b>VFE-R-04:</b> 50" l x 6" w x 6" h / 4 lbs / 1.81 kgs</p>  | <p><b>additional information:</b></p> <p><b>Graphic material:</b><br/>Dye-sublimated fabric</p> <p>Extrusion stock length: 99" (2514mm)<br/>Code: WMFC-2513</p>                                |

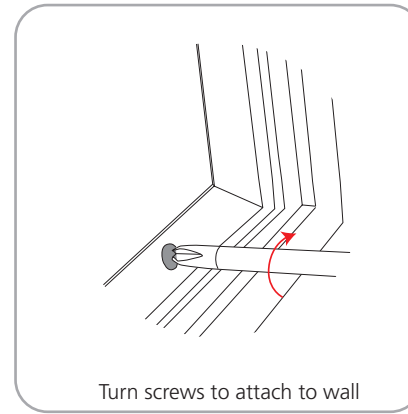
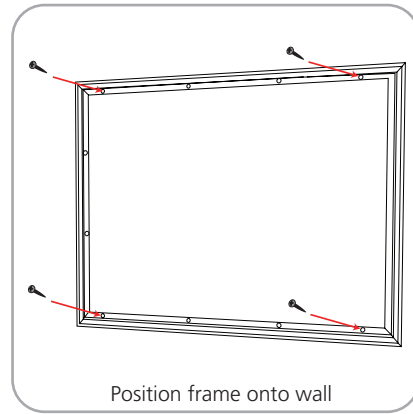
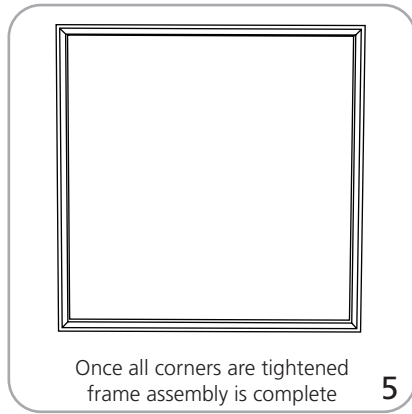


We are continually improving and modifying our product range and reserve the right to vary the specifications without prior notice. All dimensions and weights quoted are approximate and we accept no responsibility for variance. E&OE. See Graphic Templates for graphic bleed specifications.

## Set-up:



## Wall Mounting:



## Graphic Attachment:

