

# Embrace SEG Hopup

A variety of sizes, kits and options of displays are available.

Embrace™ is a sleek collapsible portable display and it delivers style with minimal effort. Embrace Fabric Displays come in a variety of sizes and is offered with or without endcaps. Embrace requires no tools for assembly, is lightweight and highly portable. It packs away as easy as it sets up!



Stabilizer feet on all frames 3 quads high



Easy push-fit fabric graphics go into channels

We are continually improving and modifying our product range and reserve the right to vary the specifications without prior notice. All dimensions and weights quoted are approximate and we accept no responsibility for variance. E&OE. See Graphic Templates for graphic bleed specifications.

## features and benefits:

- Lightweight anodized straight silver frame
- Stabilizer feet on all straight frames 3 quads high
- Perimeter channel bars connect to frame and hold push-fit fabric graphics
- Simple assembly
- Optional end caps available
- Dovetail on top hubs for lights\* to slide onto
- Rolling carry bag included for most units
- Lifetime hardware warranty against manufacturer defects

## dimensions:

### Hardware:

#### Assembled unit:

**1x1:** 30.43" w x 30.74" h x 12.92" d  
773mm(w) x 781mm(h) x 328mm(d)

**2x1:** 59.95" w x 30.74" h x 12.92" d  
1523mm(w) x 781mm(h) 328mm(d)

**2x2:** 59.95" w x 59.59" h x 12.92" d  
1523mm(w) x 1523mm(h) x 328mm(d)

**3x2:** 88.15" w x 59.59" h x 12.92" d  
2239mm(w) x 1523(h) x 328mm(d)

**1x3:** 31.1" w x 88.8" h x 28.94" d  
790mm(w) x 2256mm(h) x 735mm(d)

**2x3:** 59.95" w x 88.8" h x 28.94" d  
1523mm(w) x 2256mm(h) x 735mm(d)

**3x3:** 88.15" w x 88.8" h x 28.94" d  
2239mm(w) x 2256mm(h) x 735mm(d)

**4x3:** 117" x 88.8" h x 28.94" d  
2972mm(w) x 2256mm(h) x 735mm(d)

### Shipping:

#### Shipping dimensions - ships in a box:

**1x1, 2x1, 1x3:**  
35" l x 15" h x 9" d  
889mm(l) x 381mm(h) x 229mm(d)

**2x2, 3x2, 2x3, 3x3, 4x3:**  
38" l x 15" h x 9" d  
965mm(l) x 381mm(h) x 229mm(d)

#### Approximate Shipping weight:

**1x1:** 14 lbs / 6.35 kgs  
**2x1:** 16 lbs / 7.26 kgs  
**2x2:** 20 lbs / 9.07 kgs  
**3x2:** 27 lbs / 12.25 kgs  
**1x3:** 24 lbs / 10.87 kgs  
**2x3:** 30 lbs / 13.61 kgs  
**3x3:** 34 lbs / 15.42 kgs  
**4x3:** 36 lbs / 16.33 kgs

## Graphics

Graphic material:  
Premium 100% opaque fabric with SEG

Refer to related graphic template for more information.

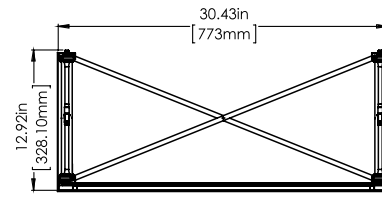
Visit: [exhibitors-handbook.com/graphic-templates](http://exhibitors-handbook.com/graphic-templates)

## additional information:

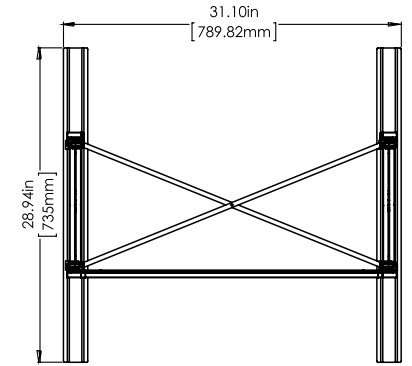
\* Lights not included

# Embrace SEG Hopup Dimensions

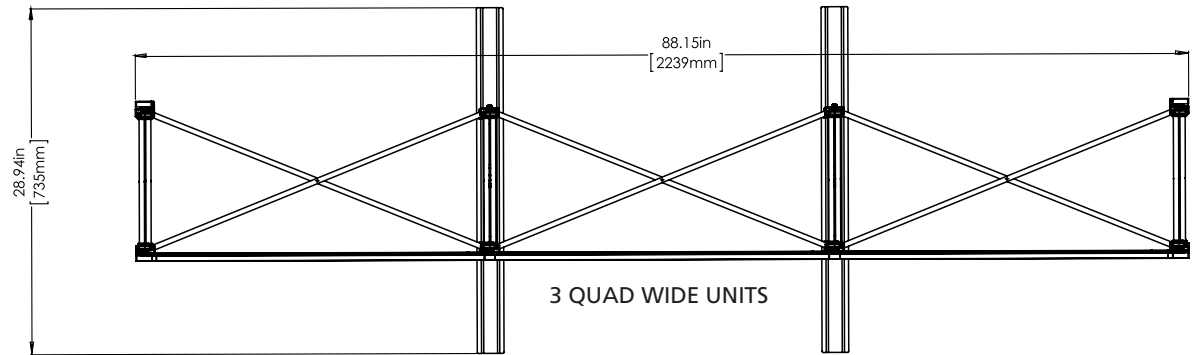
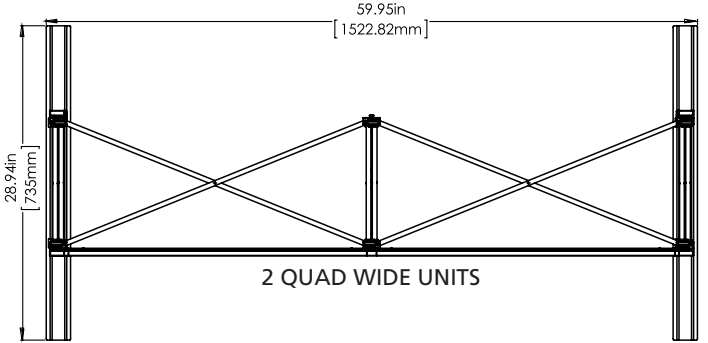
Embrace SEG Hopup frame footprints fit in a 10' x 10' space.  
Stabilizer feet present on all straight frames 3 quads high.



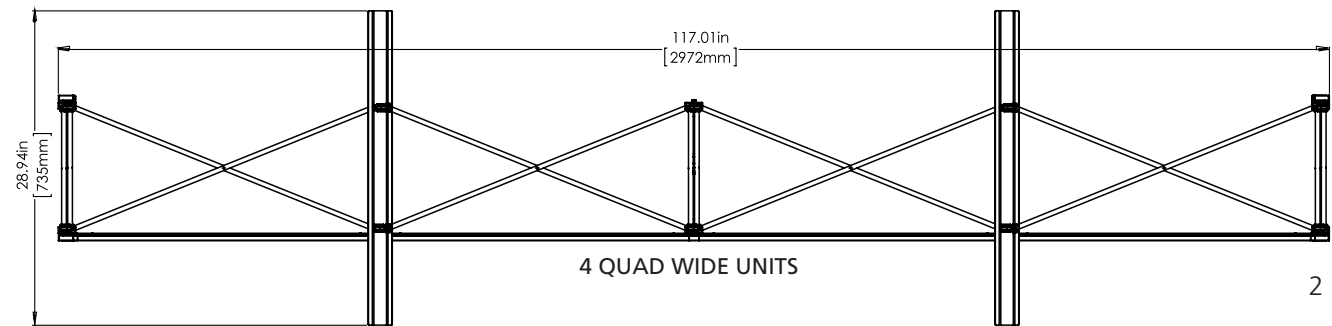
1 QUAD WIDE UNITS



2 QUAD WIDE UNITS

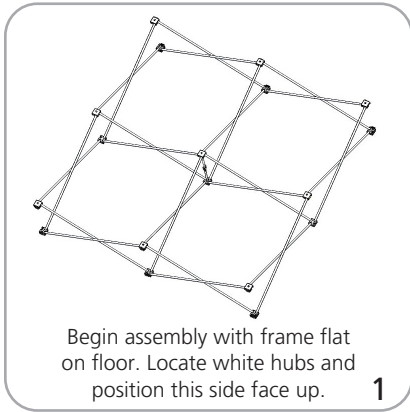


3 QUAD WIDE UNITS

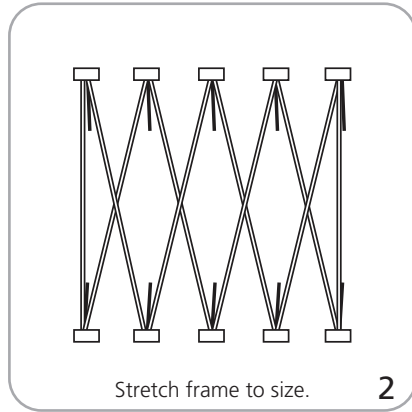


4 QUAD WIDE UNITS

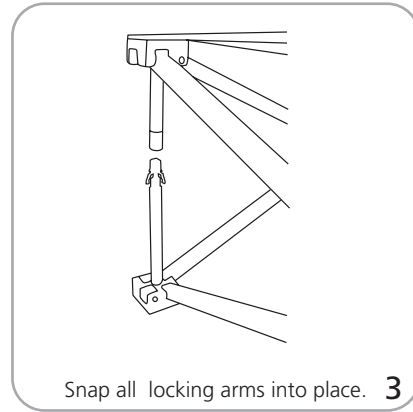
**SET-UP:**



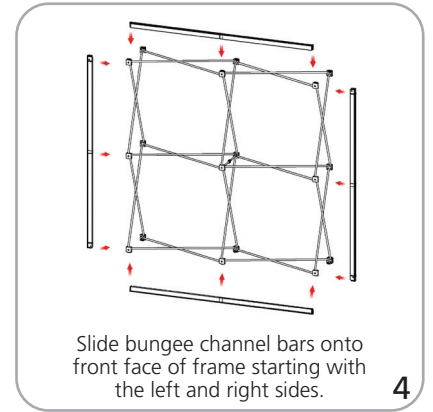
Begin assembly with frame flat on floor. Locate white hubs and position this side face up. **1**



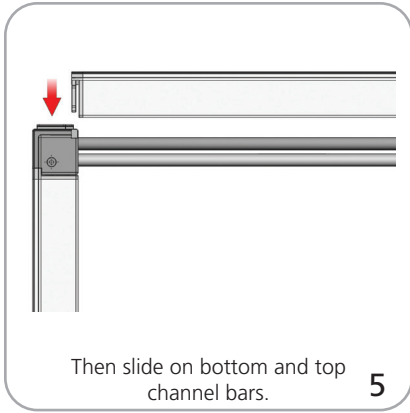
Stretch frame to size. **2**



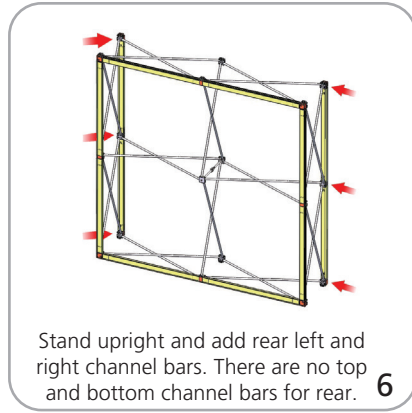
Snap all locking arms into place. **3**



Slide bungee channel bars onto front face of frame starting with the left and right sides. **4**

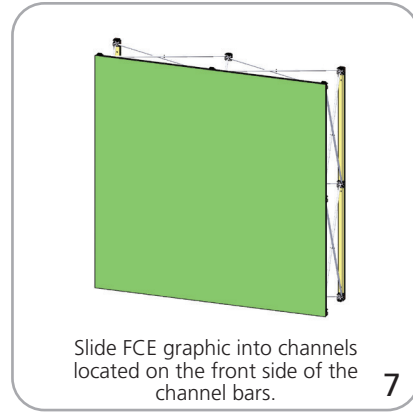


Then slide on bottom and top channel bars. **5**

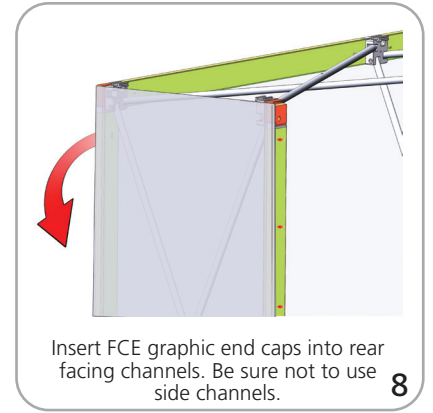


Stand upright and add rear left and right channel bars. There are no top and bottom channel bars for rear. **6**

**APPLY GRAPHIC:**

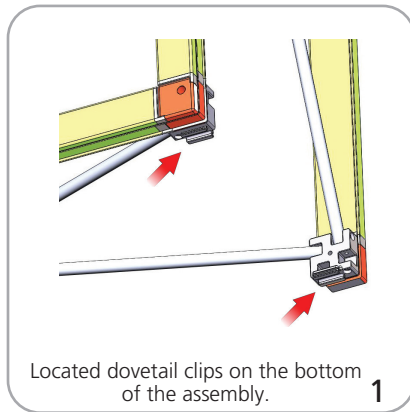


Slide FCE graphic into channels located on the front side of the channel bars. **7**

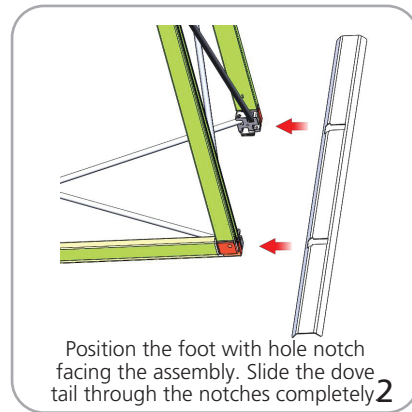


Insert FCE graphic end caps into rear facing channels. Be sure not to use side channels. **8**

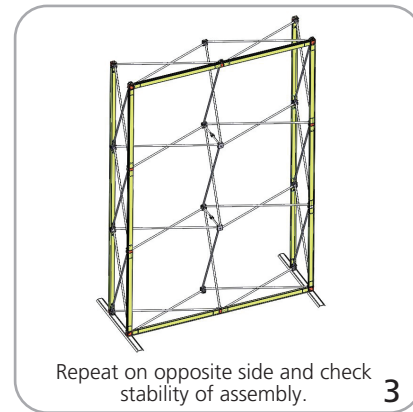
**ATTACH STABILIZER FEET TO FRAMES 3 QUADS HIGH**



Located dovetail clips on the bottom of the assembly. **1**



Position the foot with hole notch facing the assembly. Slide the dove tail through the notches completely. **2**

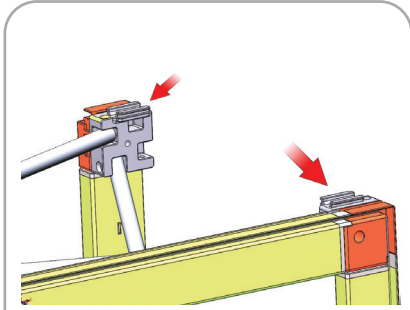


Repeat on opposite side and check stability of assembly. **3**

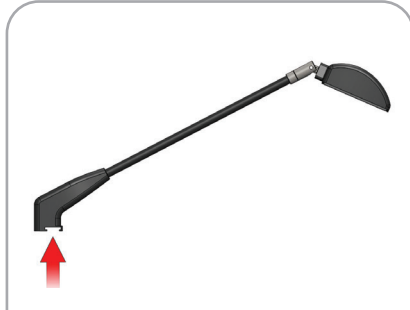


Unit is complete

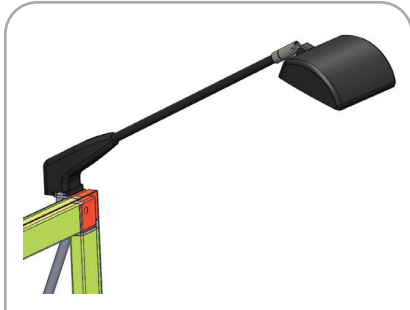
ATTACH OPTIONAL LIGHTS:



Locate the dovetail clips on the top of the assembly. **1**



Locate the dovetail channel on the bottom of the base on the spotlight. **2**



Slide the dovetail into the light's dovetail channel until symmetrically centered and secured. **3**