

Aero

Basic Kit: AERO2-1200-BASIC

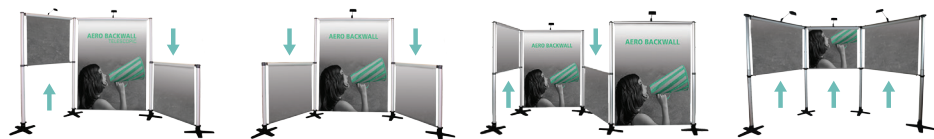
Complete Kit: AERO2-1200-KIT

This indoor modular backwall is one of the most versatile on the market. Now with 11 graphic height options available the Aero can be configured by moving top cassette upwards and by moving bottom rail upwards. It is available in a complete kit or "a la carte" to create more combinations. Lights can now be placed anywhere on the cassette. Literature holder and iPad holder accessories available.

lights can now be placed anywhere on the cassette



shown with new iPad holder and literature pocket accessories



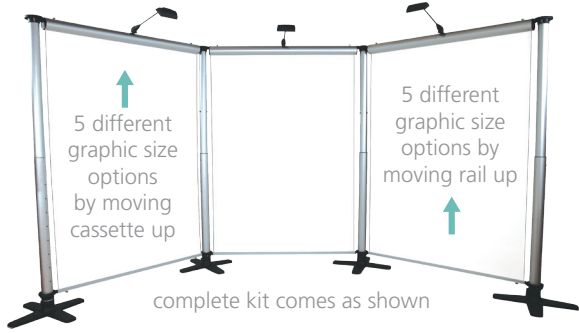
We are continually improving and modifying our product range and reserve the right to vary the specifications without prior notice. All dimensions and weights quoted are approximate and we accept no responsibility for variance. E&OE. See Graphic Templates for graphic bleed specifications.

features and benefits:

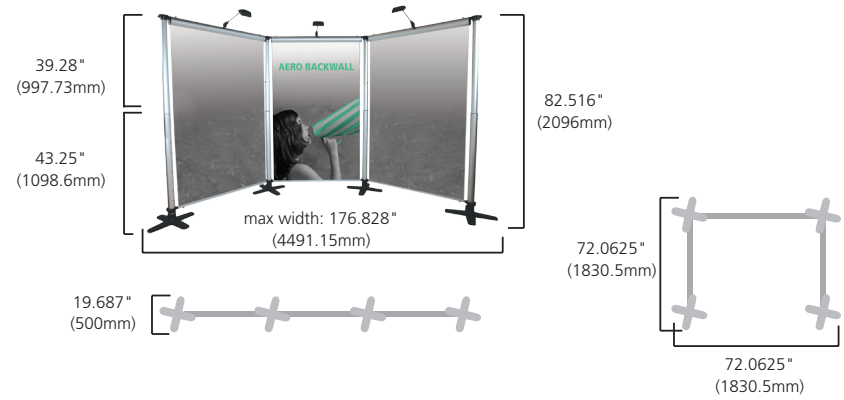
- **IMPROVED** Aero
- Lights can now be placed anywhere on the cassette
- Indoor modular display system
- Standard graphic width = 47"
- 11 graphic height options
- Available as a kit and "a la carte" to create more combinations
- Literature holder and iPad holder now available as optional accessories
- Rolling bag included (Complete Kit only)
- One year limited hardware warranty against manufacturer defects

dimensions:

Hardware	Graphic
<p>Assembled unit: 72" -176.8"w x 43.25"-82.5"h x 19.7"-72"d 1829-4491mm(w) x 1099-2095mm(h) x 500-1829mm(d) Pole diameter: 2.43" dia. - 2.75" dia.</p> <p>Weight: Uprights: 7.4lbs / 3.36kgs Cassettes with graphics: 7.9lbs / 3.58kgs Cassettes with bag: 31.1lbs / 14.1kgs Uprights with bag: 43.45lbs / 19.7kgs Entire basic kit (lights included): 78lbs / 35.4kgs</p>	<p>Total maximum visual area: 47"w x 74"h 1194mm(w) x 1880mm(h)</p> <p>Cassette moving upwards: 47"w x 36.5"h 47"w x 42.5"h 47"w x 50.5"h 47"w x 58"h 47"w x 66"h 47"w x 74"h</p> <p>Rail moving upwards: 47"w x 70.5"h 47"w x 62.5"h 47"w x 54.5"h 47"w x 46.75"h 47"w x 38.75"h</p> <p>Please be sure to include a 1/2" bleed at rail end (bottom) and a 6" bleed at the cassette end (top)</p>
<p>Shipping dimensions: Box: 54.3"l x 16.5"h x 16.14"d 1380mm(l) x 420mm(h) x 410mm(d)</p> <p>Approx. shipping weight: 83 lbs / 37.6 kgs</p>	<p>Refer to related graphic templates for more information</p>
<p>additional information:</p> <p>Graphic material: Flatmaxx vinyl</p> <p>Basic Kit: AERO2-1200-BASIC 3 cassettes & 4 uprights with bases</p> <p>Complete Kit: AERO2-1200-KIT 3 cassettes, 4 uprights with bases, 3 lights & rolling carry bag</p>	

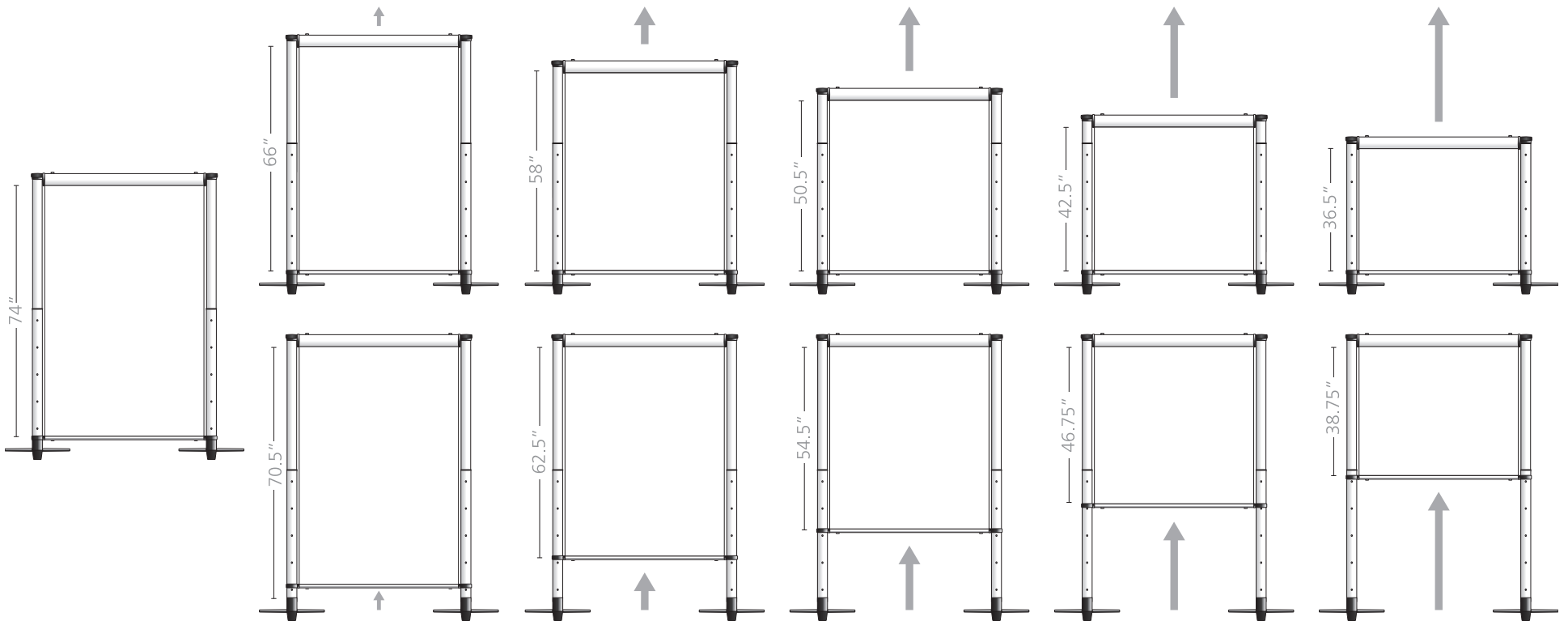


HARDWARE DIMENSIONS:



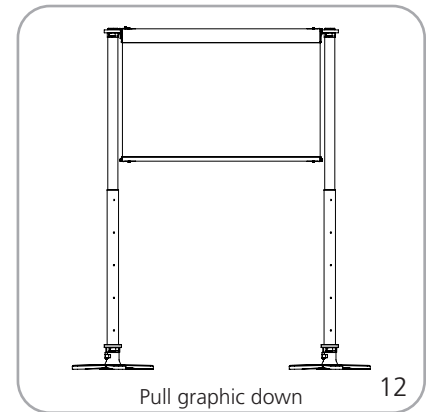
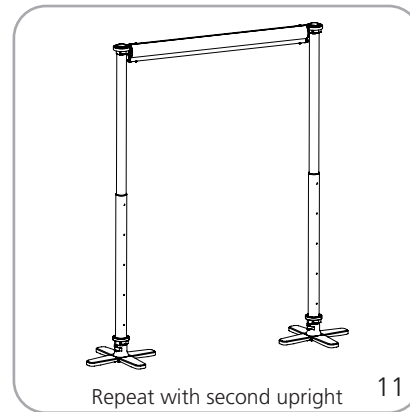
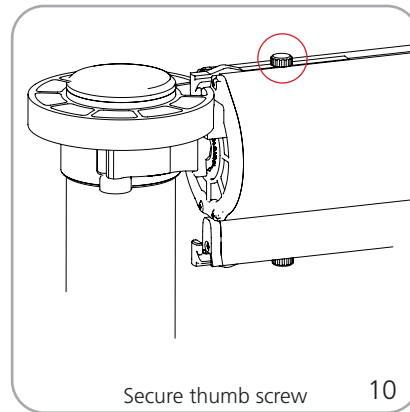
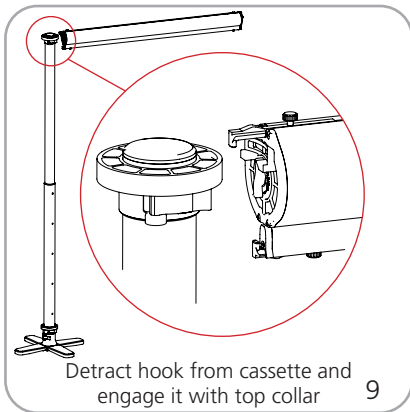
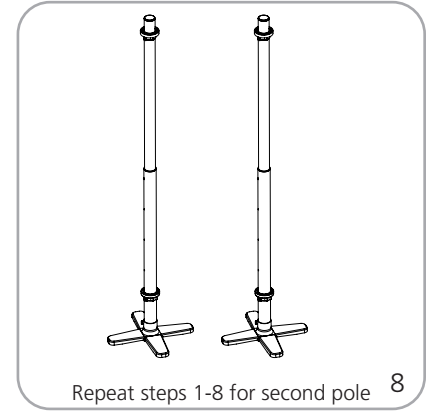
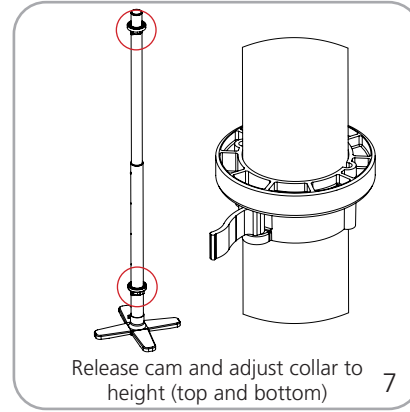
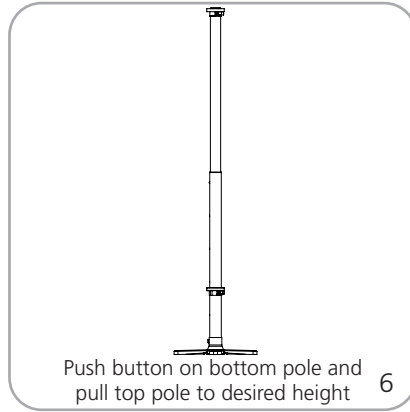
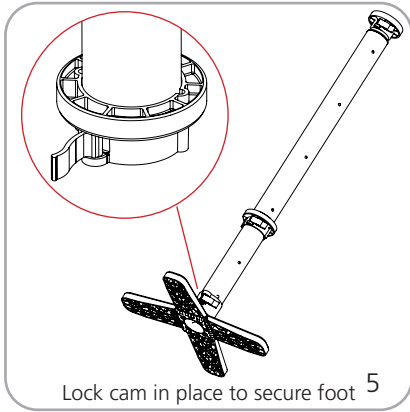
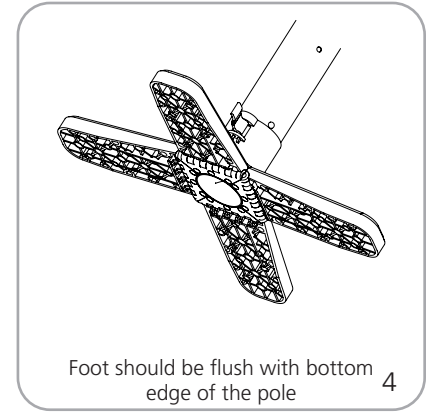
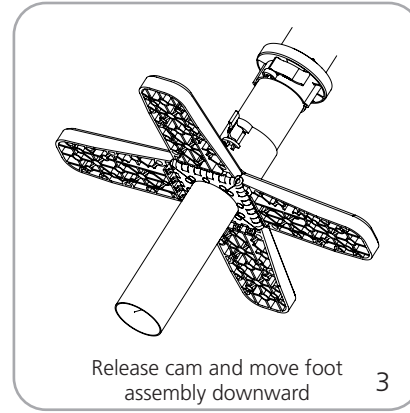
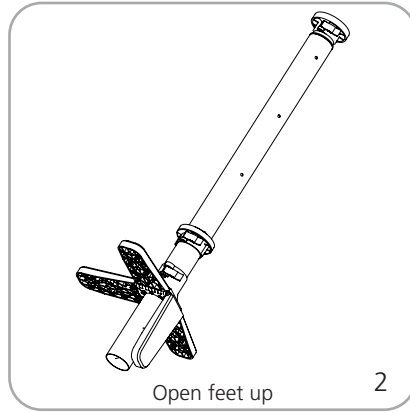
11 DIFFERENT GRAPHIC HEIGHT OPTIONS AVAILABLE

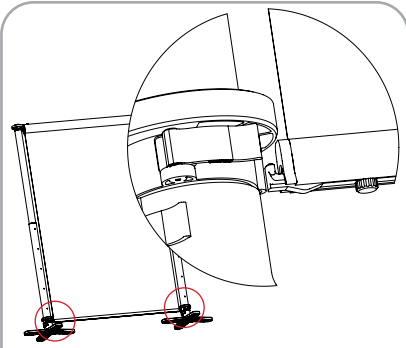
Configure height by moving top cassette upwards



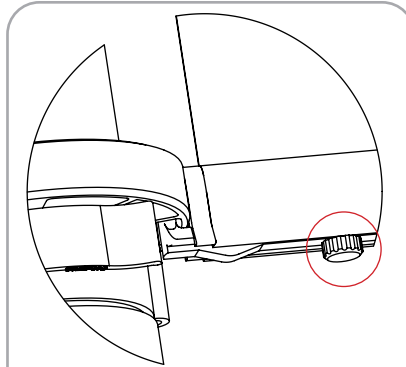
Configure height by moving bottom rail upwards

SETUP:

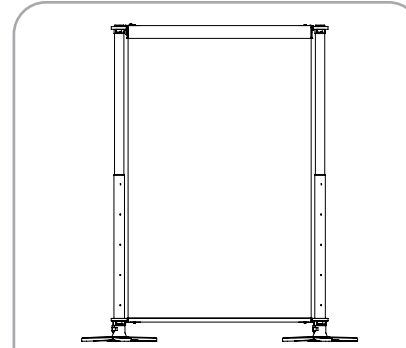




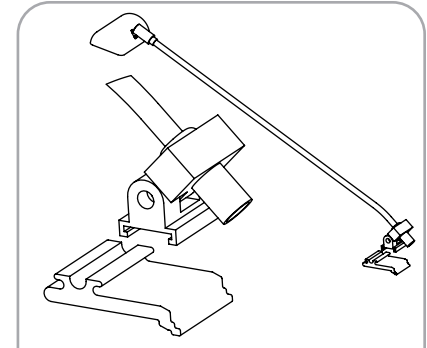
Detract hook from graphic rail and engage on underside of bottom collar 13



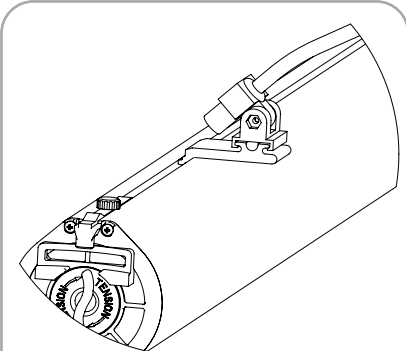
Secure thumbscrew on both sides 14



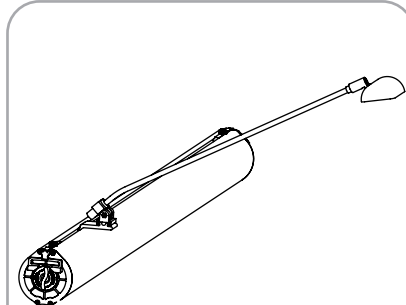
Repeat procedures to complete kit 15



Complete Kit - Insert light fixture to dove tail as shown 16

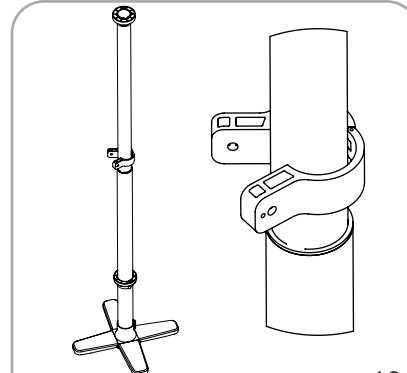


Slide light dove tail attachment into groove on top of cassette 17

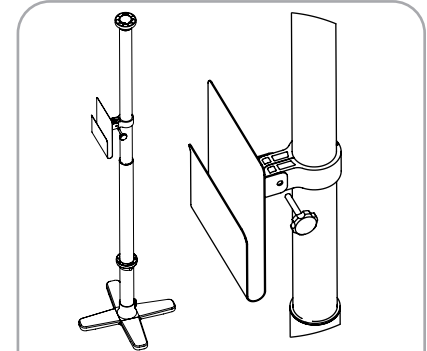


Lights can be positioned anywhere on cassette. Repeat installation with two remaining lights in kit 18

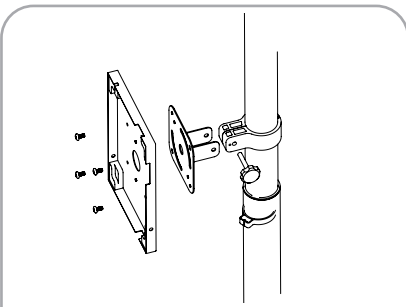
ACCESSORY ATTACHMENT:



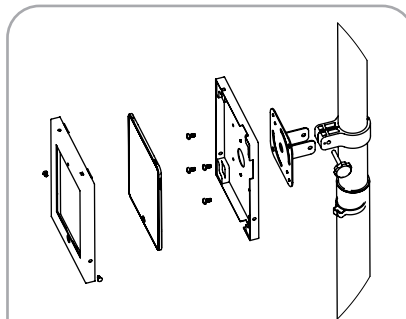
Wrap collar around pole 19



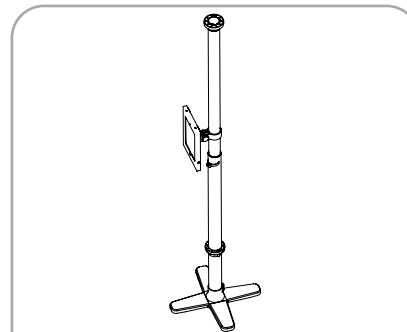
Insert thumbscrew and turn until lit rack is locked tight 20



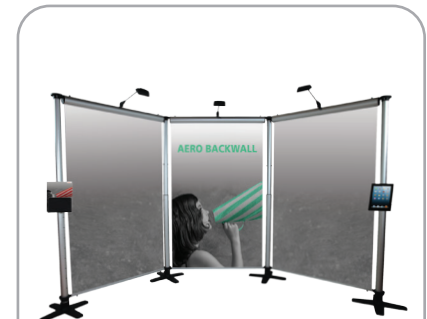
Determine portrait or landscape orientation. Fasten back plate to adaptor plate with back plate screw. 21



Cradle iPad inside back plate. Fasten front plate with 2 tamper proof screws on each side. 22

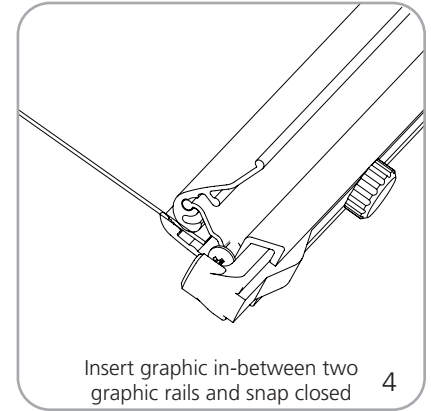
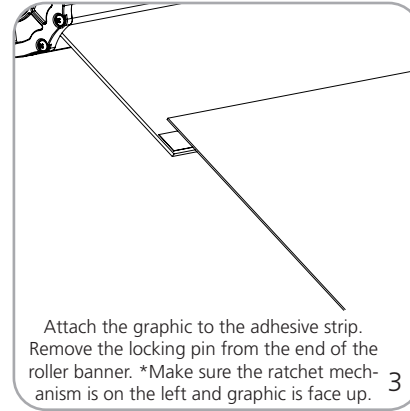
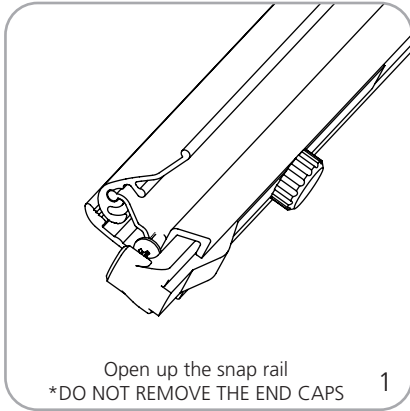


Place adaptor plate to collar and secure with thumbscrew. Clip on cable management clip to pole. 23

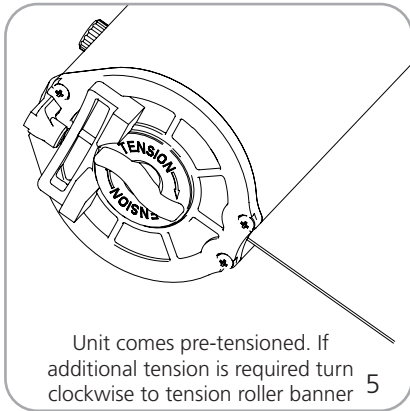


Unit is complete 24

GRAPHIC ATTACHMENT SETUP



ADDING TENSION



PACKING - ROLLING CARRY BAG (COMPLETE KIT ONLY):

