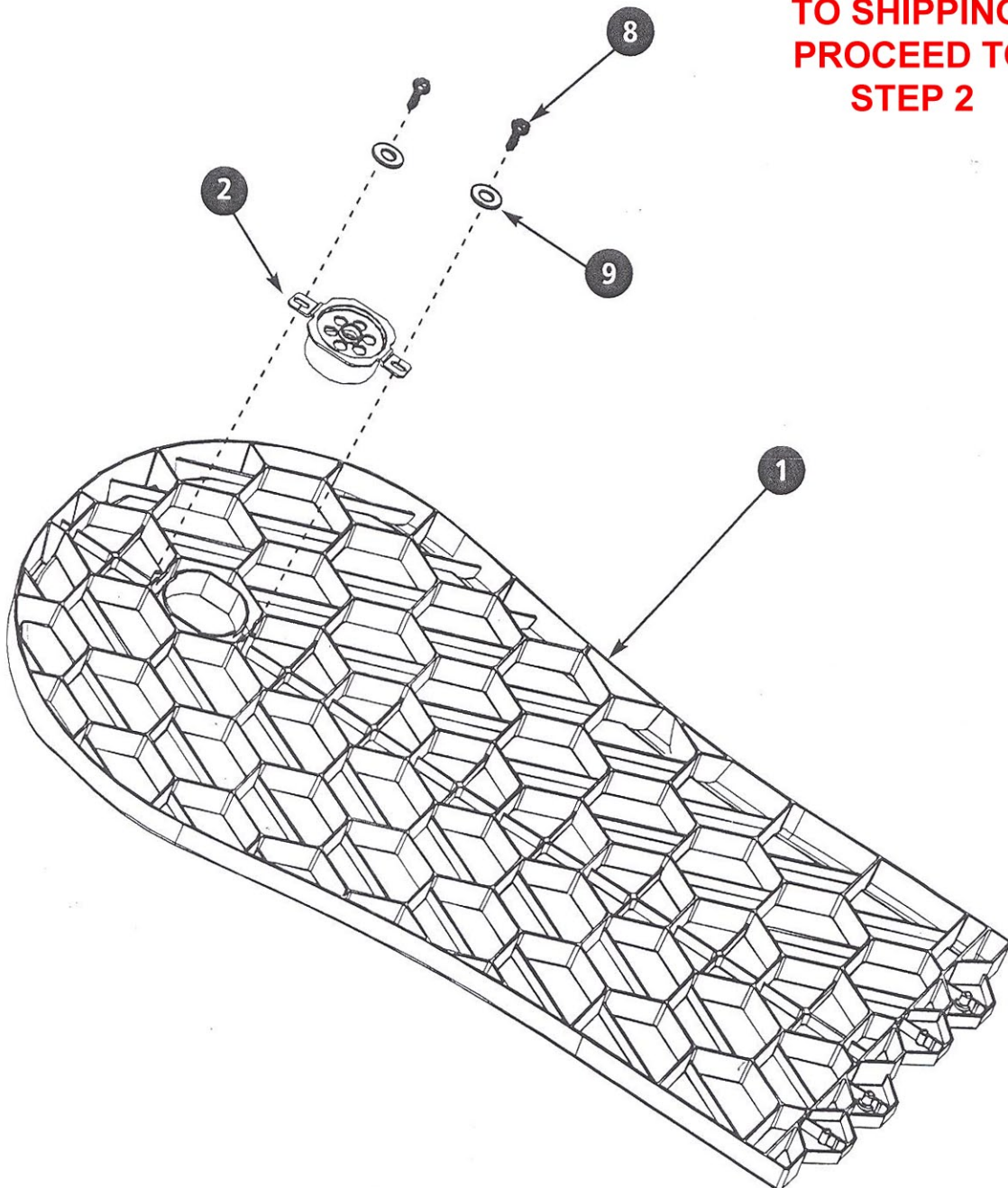


1

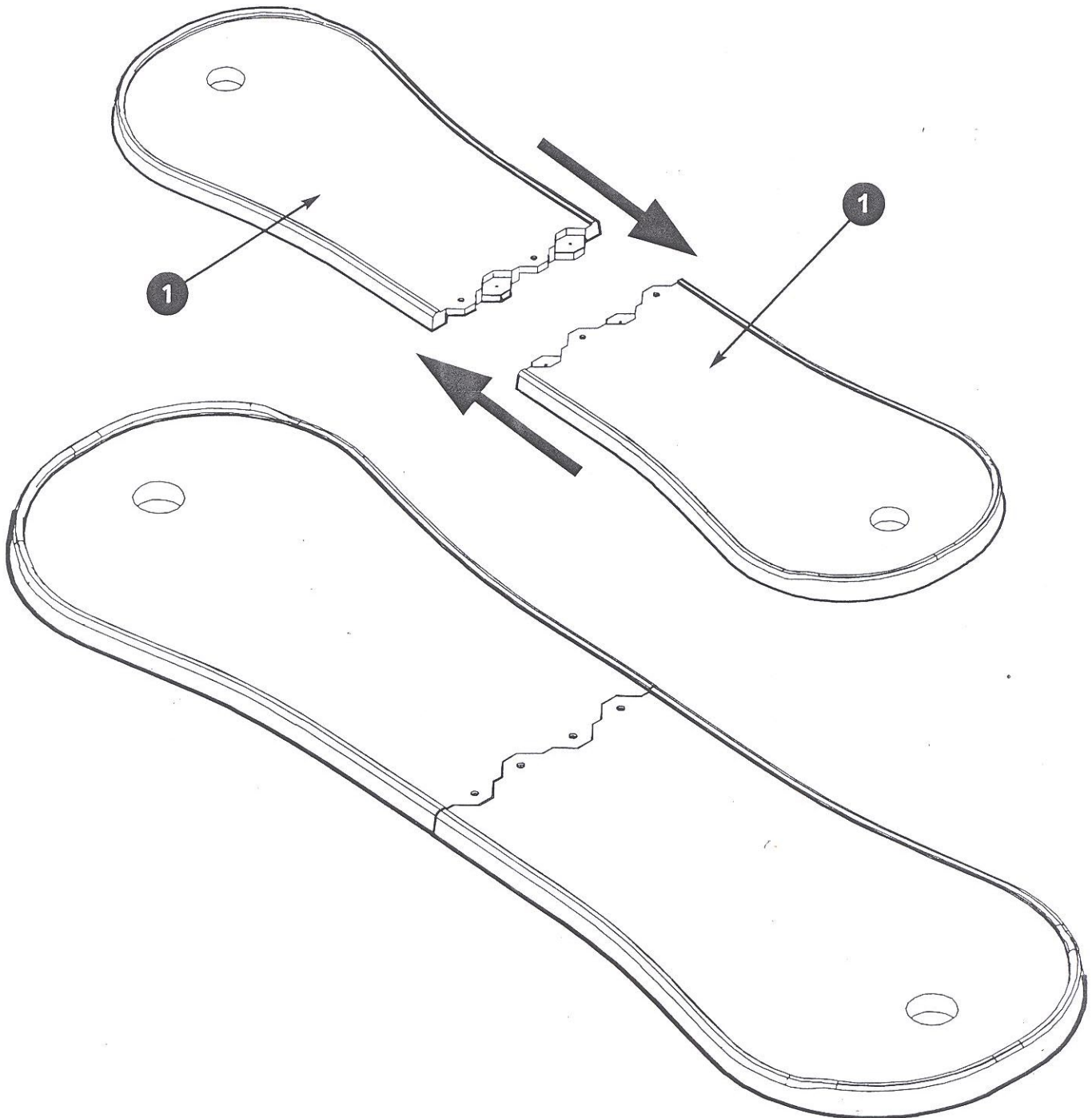
Install cups to deck with screws and washers as shown, repeat for other half of deck. Do not over-tighten, cup must slide freely when hardware is installed.

**THIS STEP HAS BEEN  
COMPLETED PRIOR  
TO SHIPPING.  
PROCEED TO  
STEP 2**



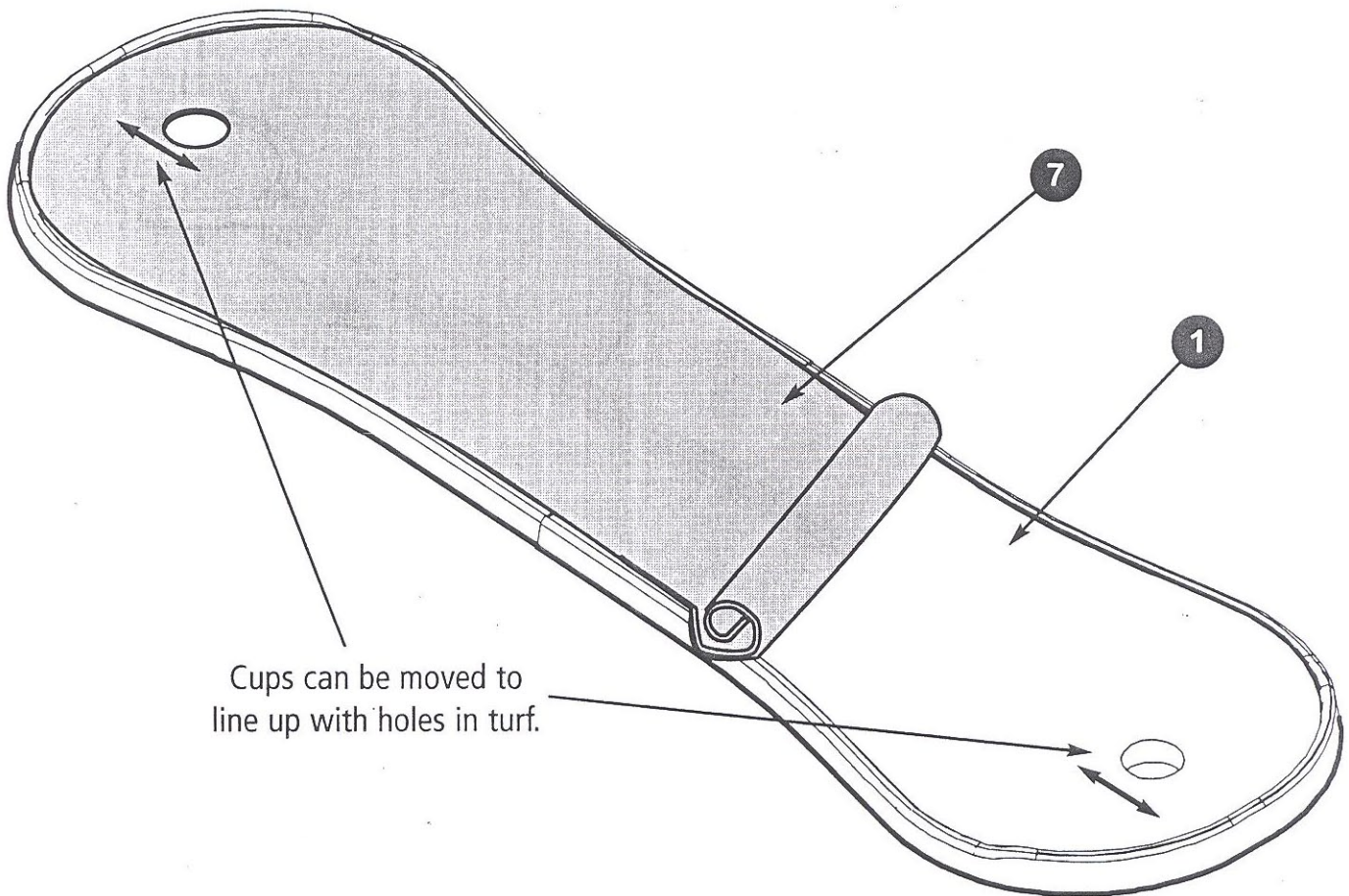
2

Two people required for this step or place one end against a wall or door. Slide panels together as shown.



3

Install turf as shown.  
Make sure holes in turf line up with cups.



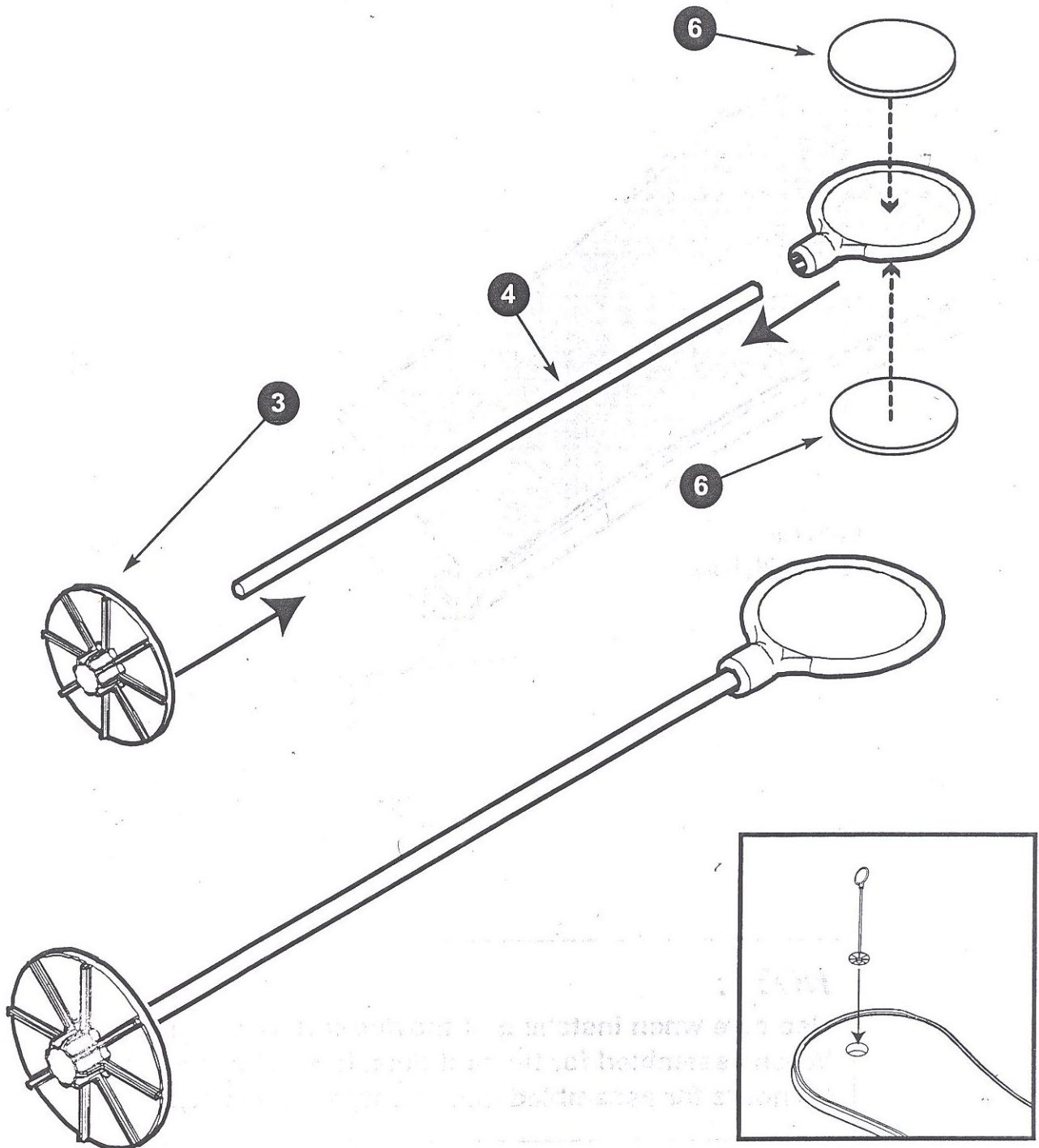
**NOTE:**

Use care when installing or moving turf. Never crease turf. When assembled for the first time, it is suggested to allow 24 hours for assembled unit to settle completely.



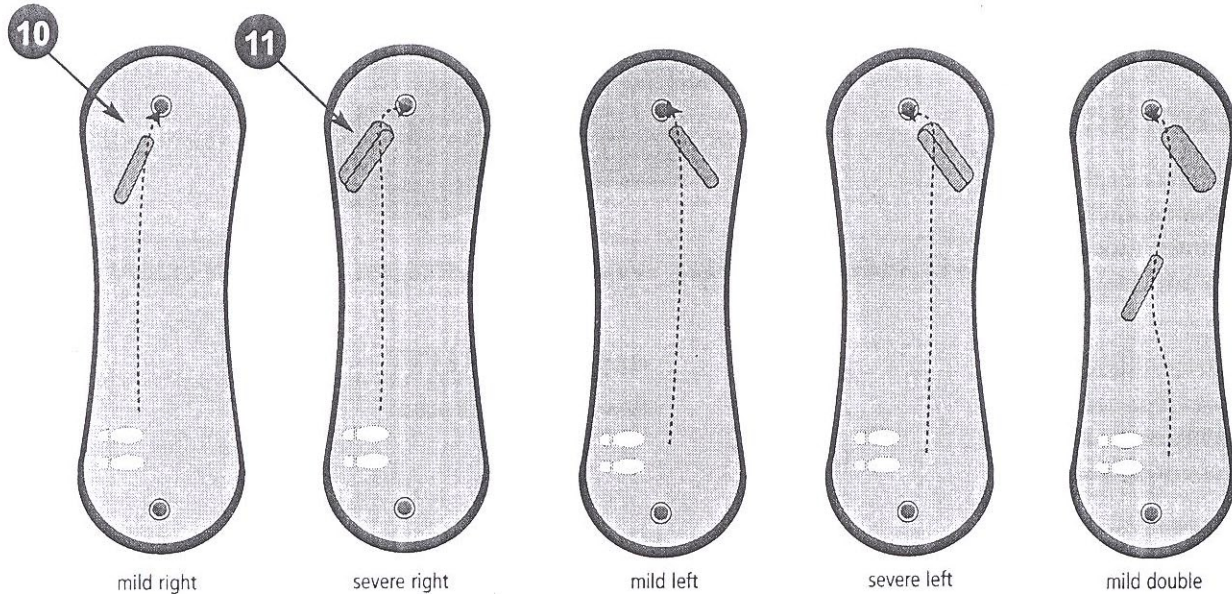
4

Attach stickers to retriever head and assemble ball retriever as shown. Insert retriever assembly into cup.



## SUGGESTIONS FOR INSTALLING FOAM TO CREATE BREAKS

Carefully lift turf and place foam breaks in locations shown for putt variations.



## GENERAL CARE AND MAINTENANCE

Clean plastic with a soft damp cloth. Carefully sweep turf.

When rolling up turf for storage, always roll loosely with green side out.

Do not crease turf.

For outdoor application: If unit will not be in use for an extended period of time, roll turf with green side out and store turf and retriever assembly indoors.

If moving the assembly, use at least two people.

# HAVE FUN!

