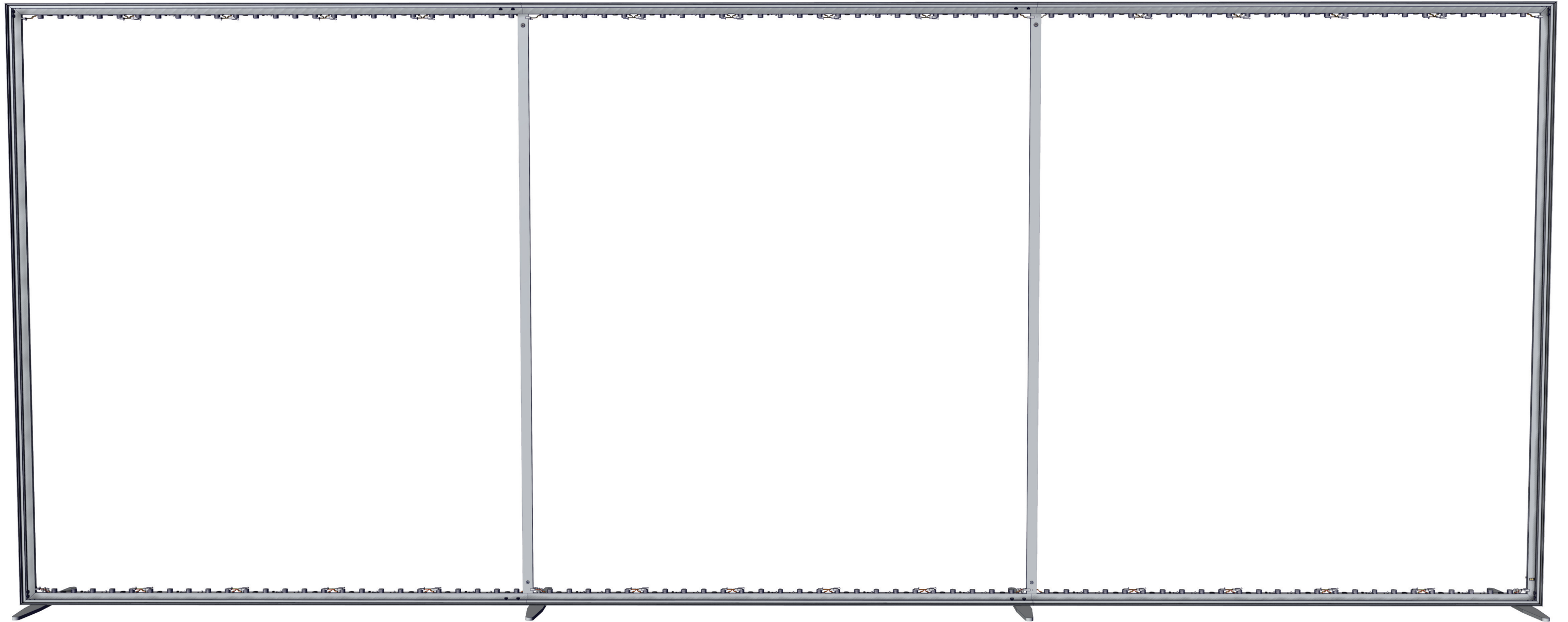


# *Igniter Light Box*

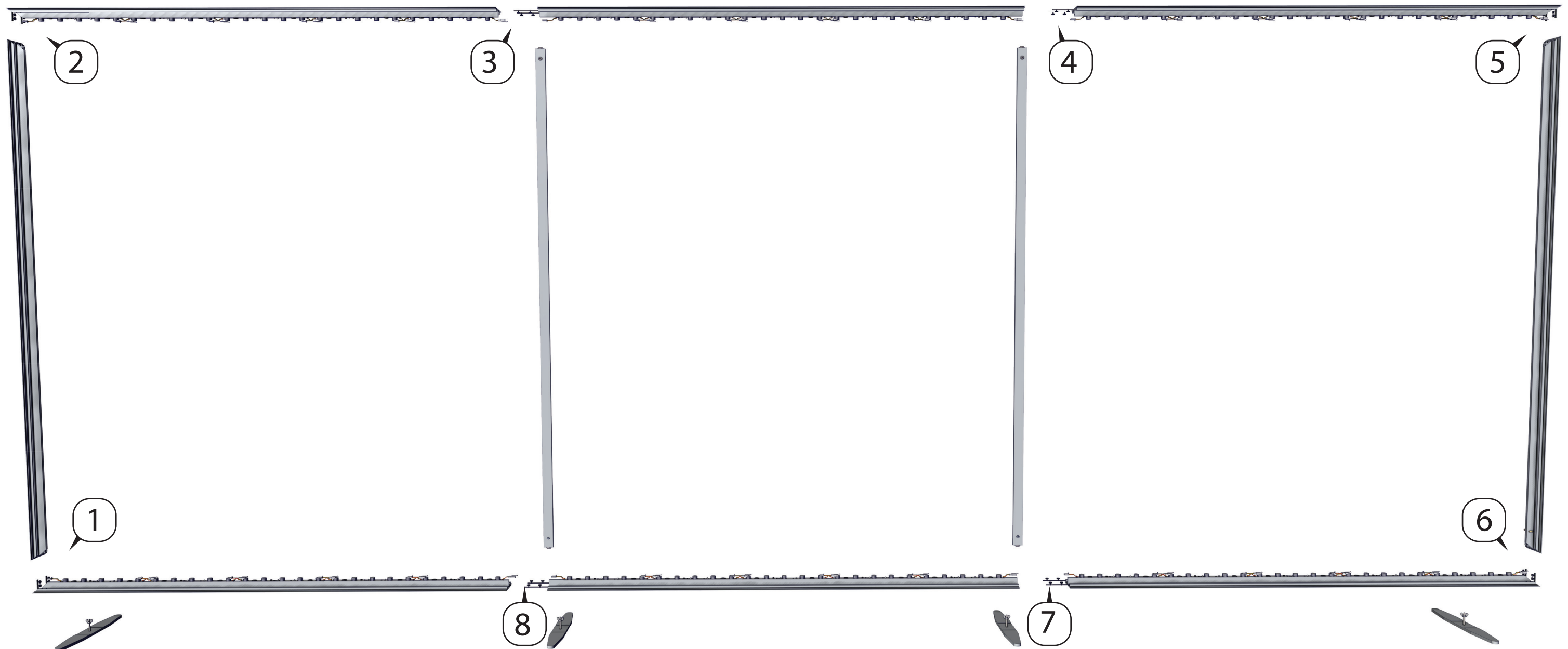
---



# *Igniter Light Box*

---

## LABEL LEGEND

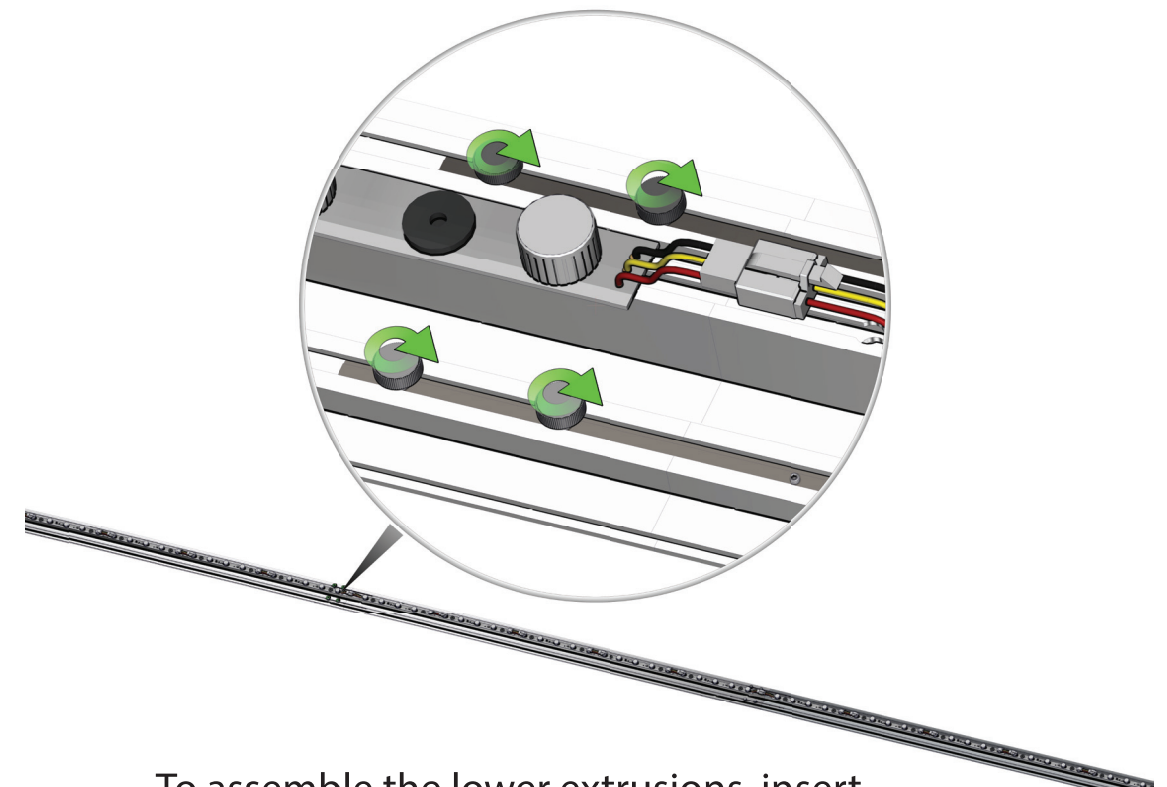
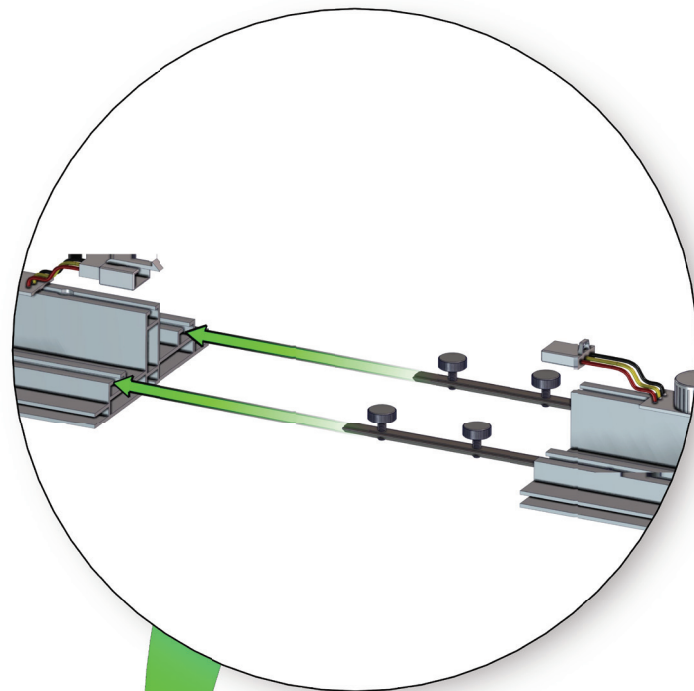
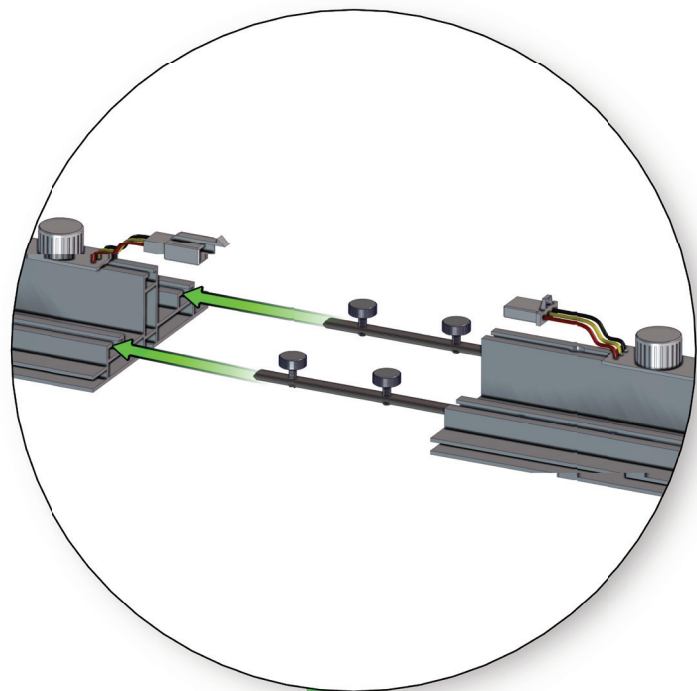


**Note:**

Optimal position for setting-up a Nieto Group Igniter, is to perform each step with all parts lying on the ground. The frame should be lifted upright, only after the feet are installed. Use a helper to lift the frame upright.

# *Igniter Light Box*

For the first step, you will need to take the extrusions with lights, and lay them out on the ground as shown.

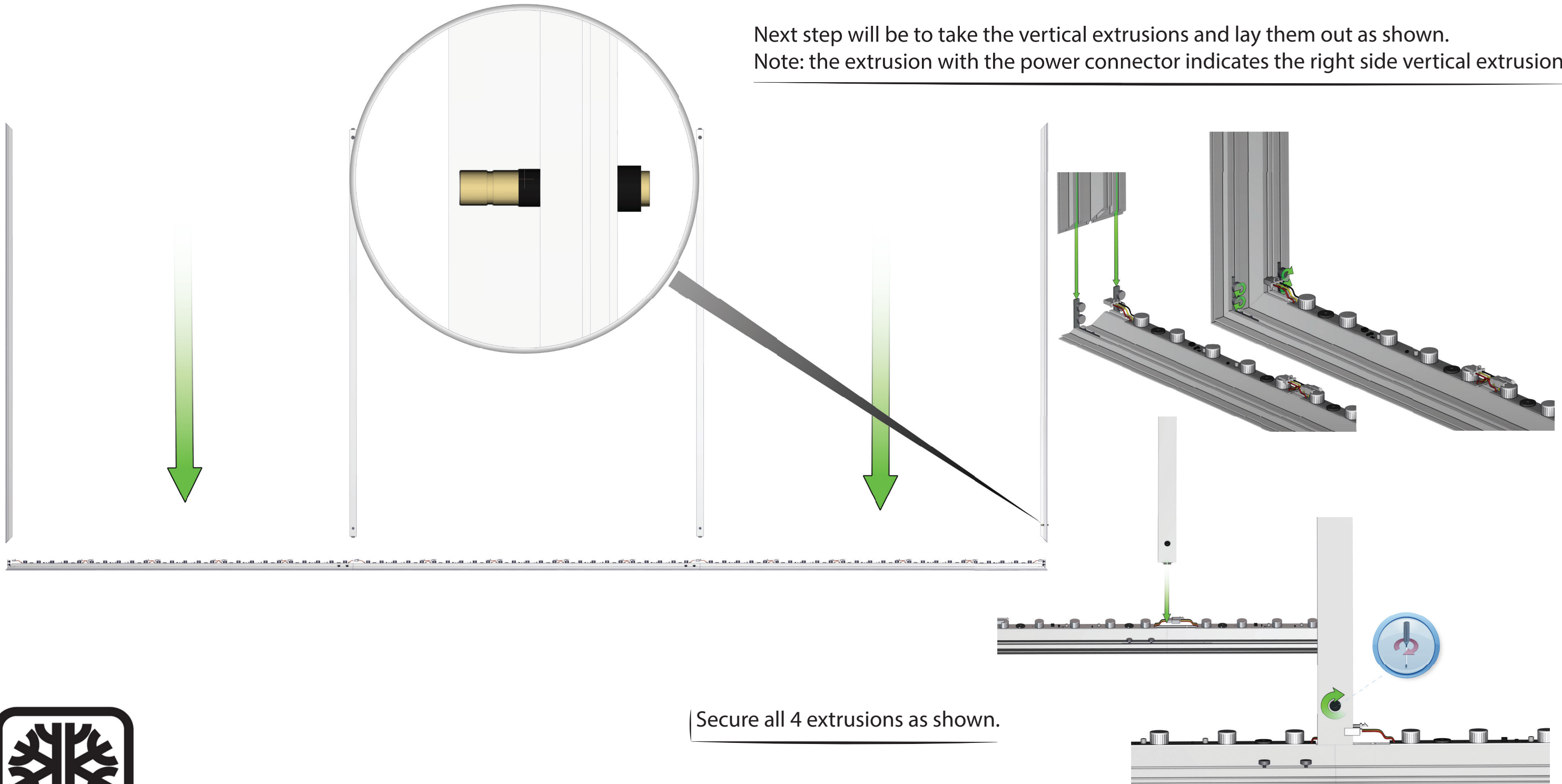


To assemble the lower extrusions, insert the lock bars into the associated channel as shown and tighten thumb screws to secure.



# Igniter Light Box

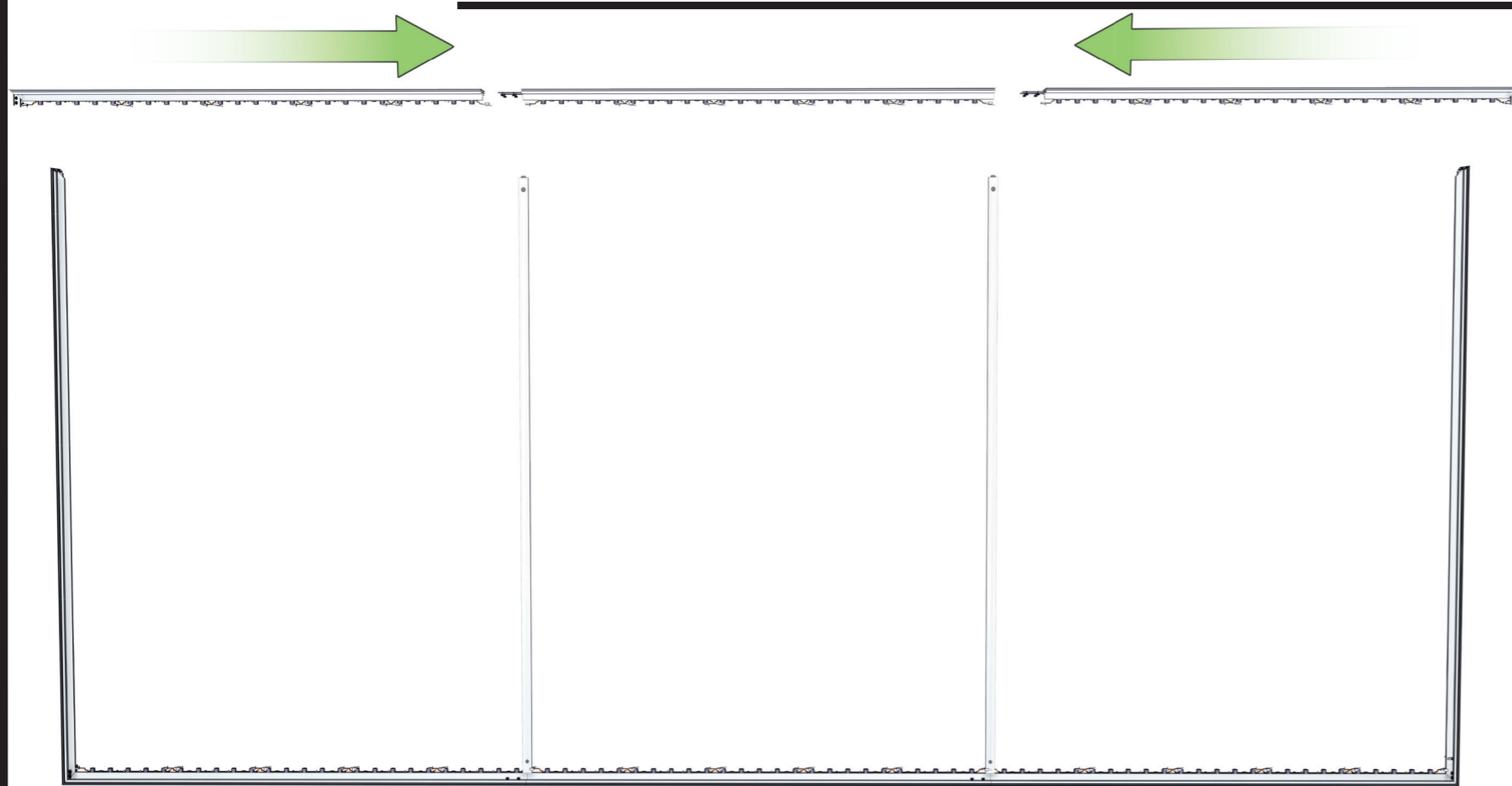
Next step will be to take the vertical extrusions and lay them out as shown.  
Note: the extrusion with the power connector indicates the right side vertical extrusion



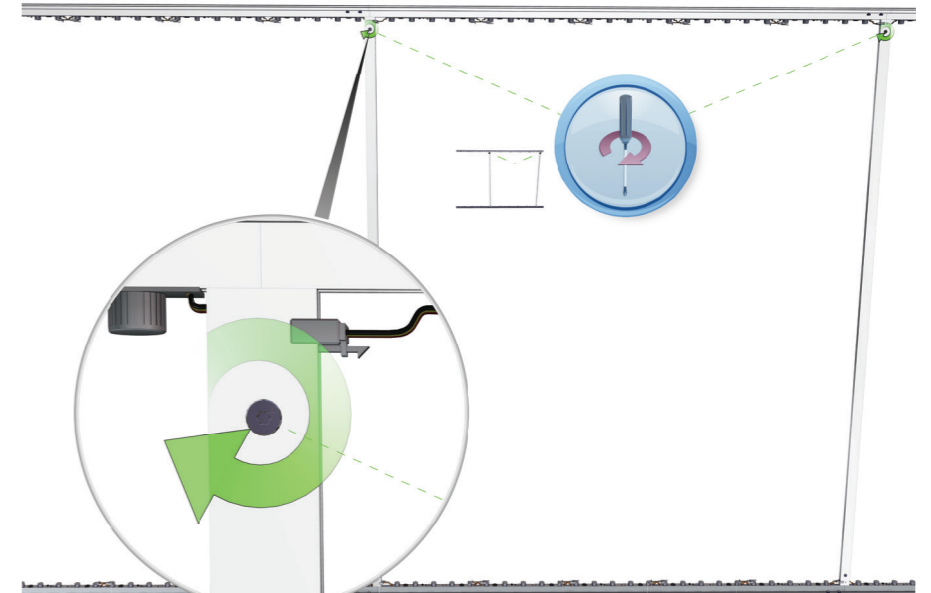
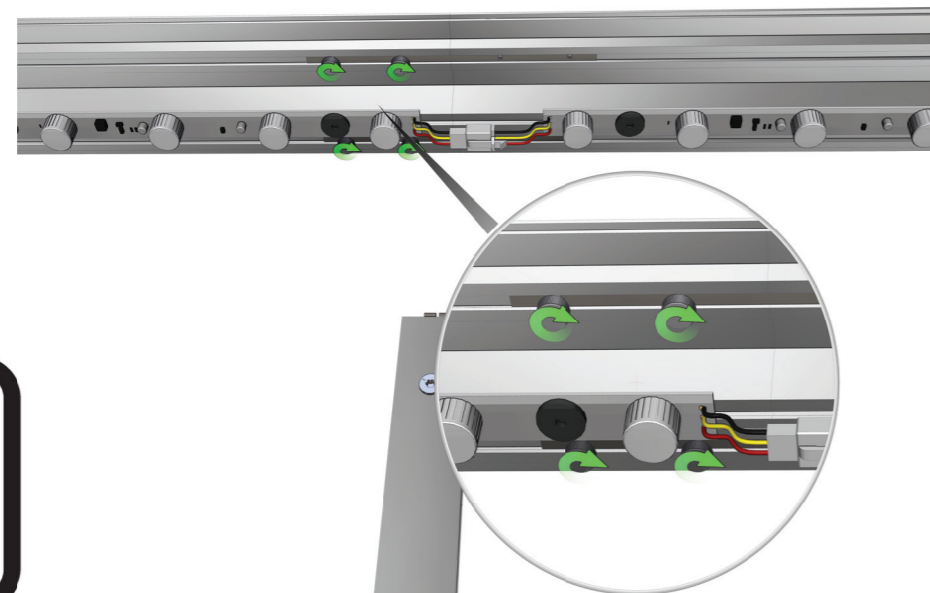
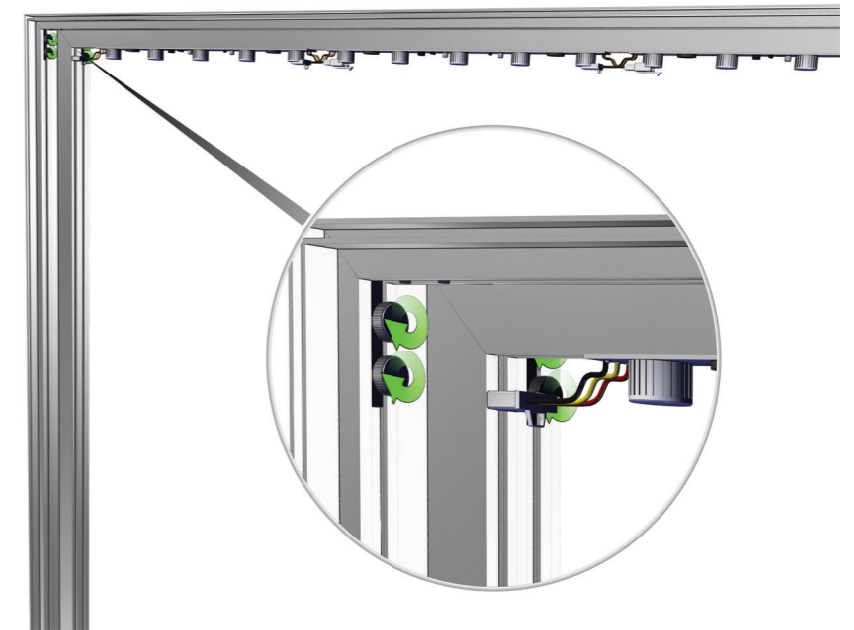
Secure all 4 extrusions as shown.



# *Igniter Light Box*



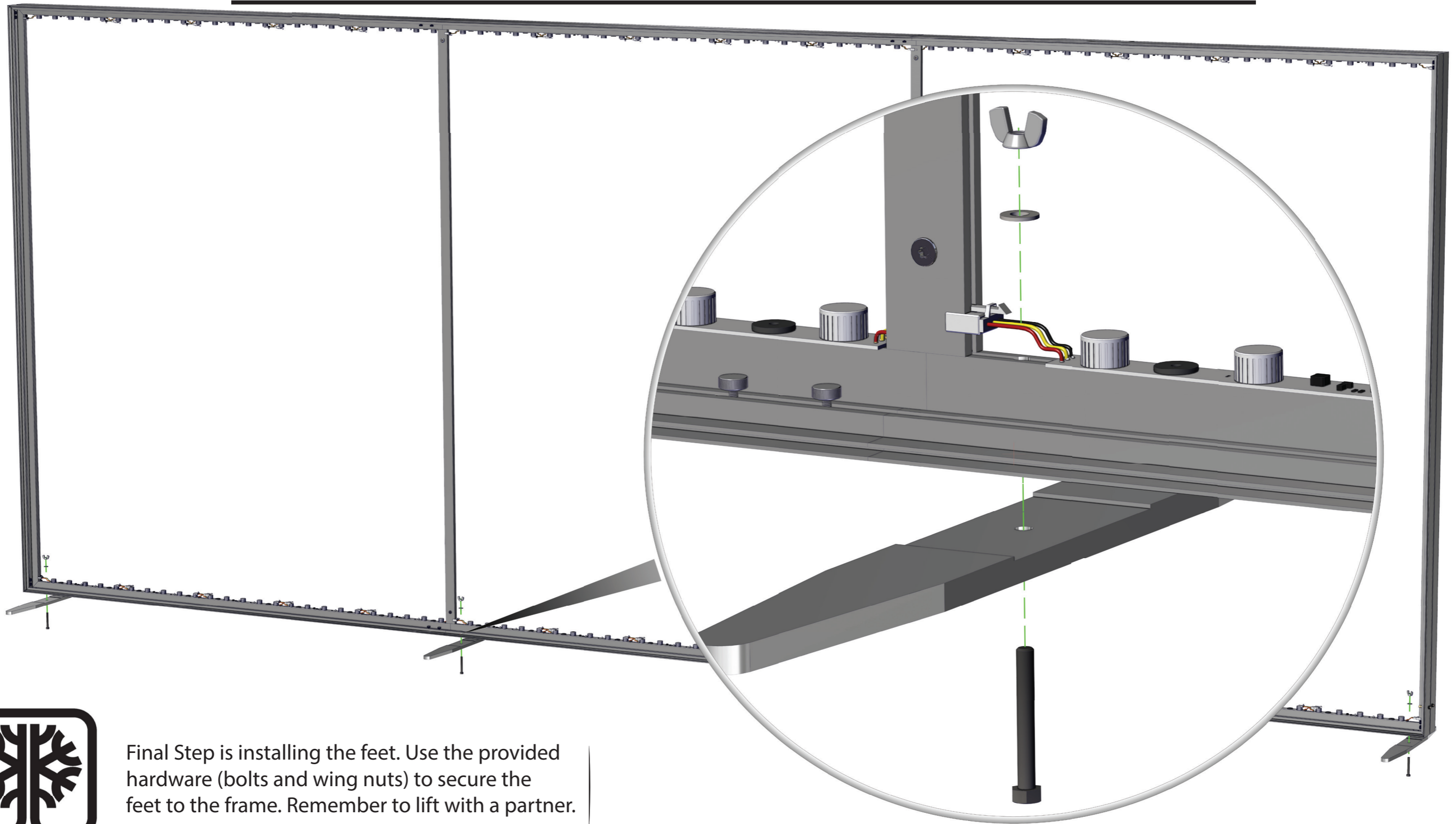
Just as the first step, take the top horizontal extrusions and join them as shown in the bottom left example image



Secure the extrusions as shown.



# *Igniter Light Box*



Final Step is installing the feet. Use the provided hardware (bolts and wing nuts) to secure the feet to the frame. Remember to lift with a partner.