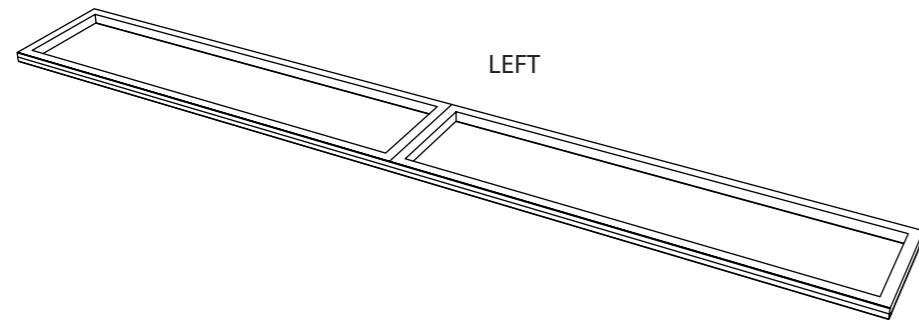
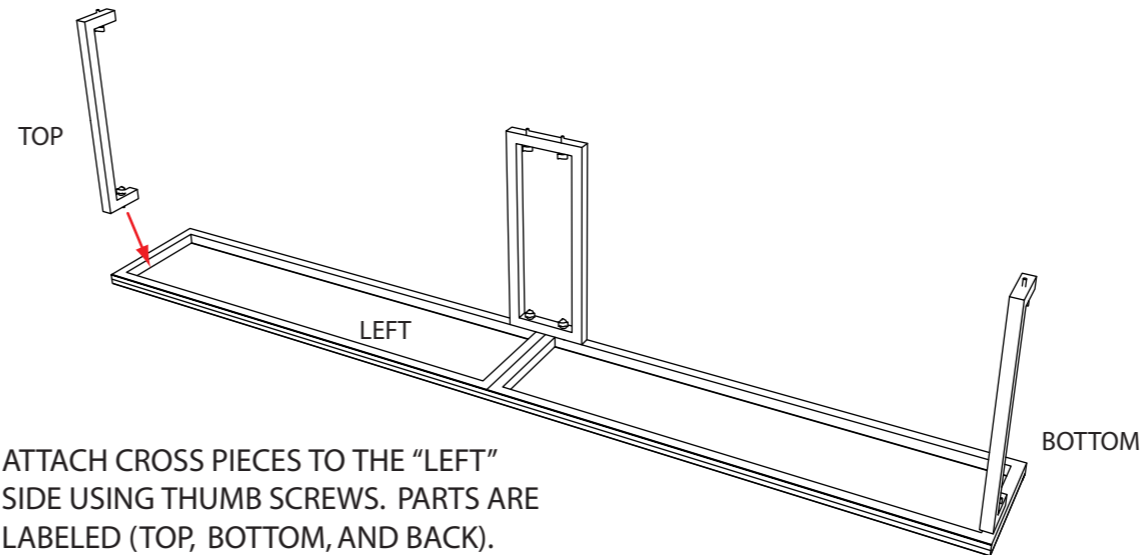


## SINGLE TOWER ASSEMBLY

\* ALL CONNECTION POINTS ARE  
NUMERICALLY AND COLOR  
COORDINATED.

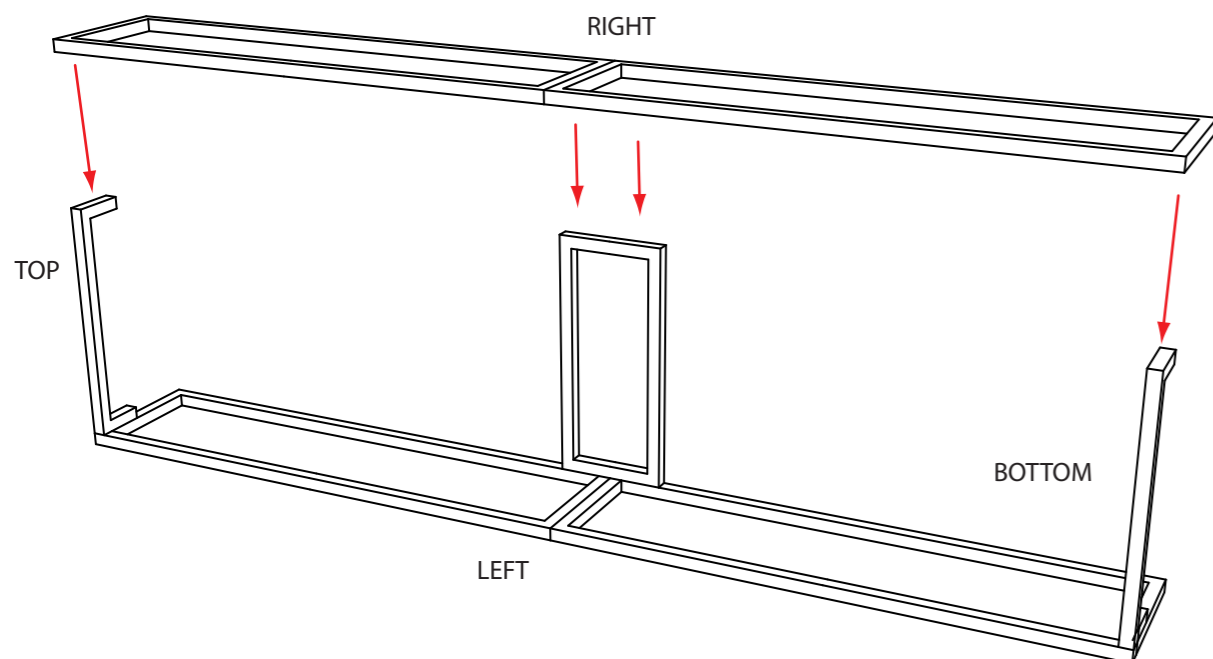


1. LIE HINGED PART LABELED "LEFT"  
ON THE GROUND WITH THREADED  
INSERTS FACING UP.



2. ATTACH CROSS PIECES TO THE "LEFT"  
SIDE USING THUMB SCREWS. PARTS ARE  
LABELED (TOP, BOTTOM, AND BACK).

3. LIE HINGED PART LABELED "RIGHT"  
ON TOP OF THE ATTACHED CROSS  
PIECES AND TIGHTEN THUMB  
SCREWS.



4. ATTACH CENTER BAR. THEN SLOWLY STAND THE TOWER AND MOVE  
INTO ITS DESIRED LOCATION.

