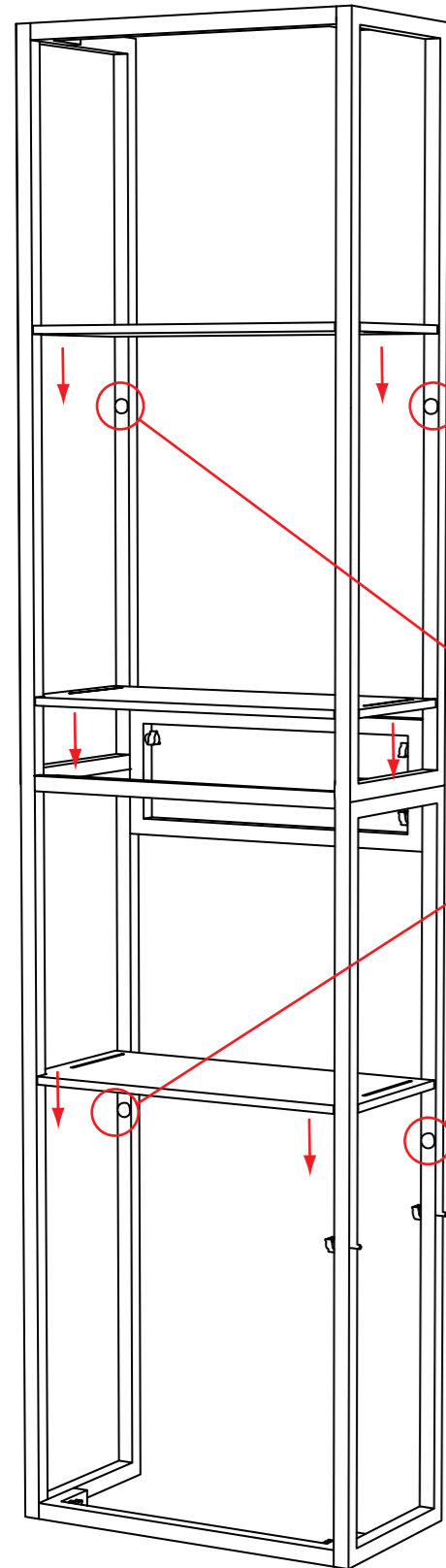


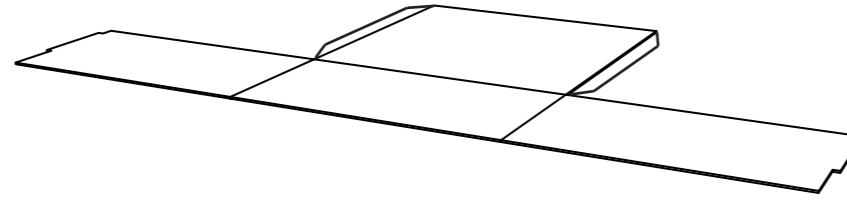
SHOWCASE ASSEMBLY



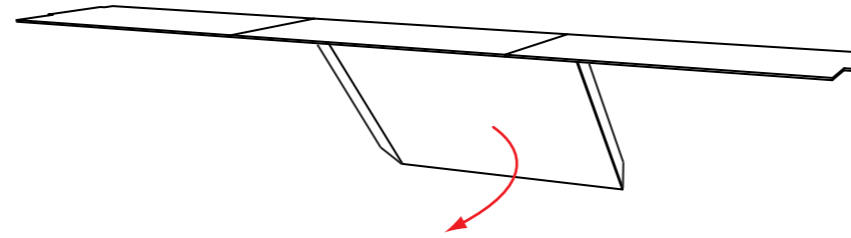
1. PLACE ALL SHELVES INTO FRAME. EACH SHELF RESTS ON AN ADJUSTABLE PEG, EXCEPT THE CENTER. THE CENTER DIRECTLY RESTS ON THE FRAME.

ADJUSTABLE PEG

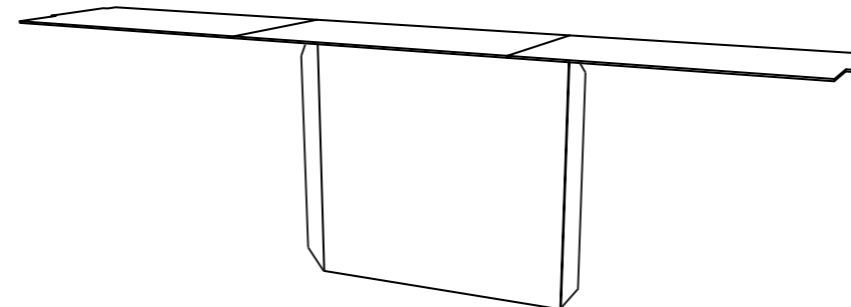
1. REMOVE SHOWCASE INSERT AND UNFOLD LIKE BELOW.



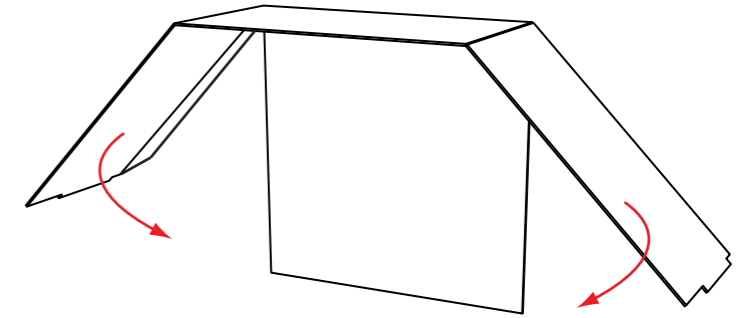
2. FOLD BACK PANEL DOWN.



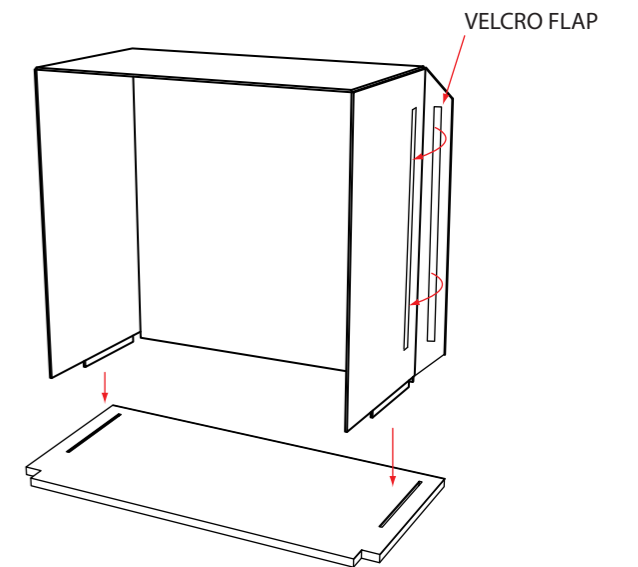
3. INSERT SHOULD LOOK LIKE THIS.



4. FOLD RIGHT AND LEFT PANELS DOWN.



5. SECURE ALL PANELS WITH THE VELCRO FLAPS.



6. PLACE SHOWCASE INSERT INTO THE SHELF. SHELF SHOULD ALREADY BE IN THE FRAME.

