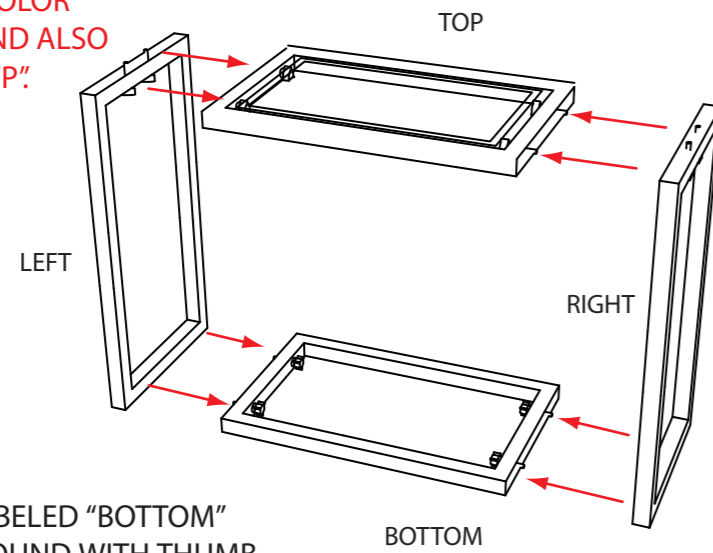


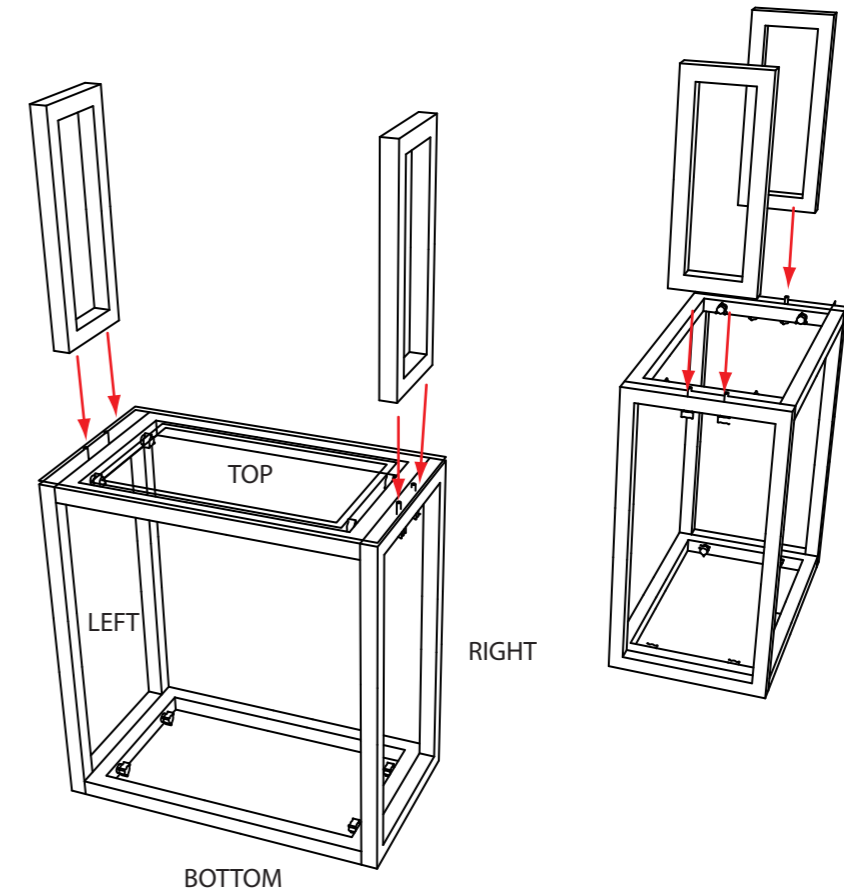
L-PODIUM ASSEMBLY

* ALL CONNECTION POINTS ARE
NUMERICALLY / COLOR
COORDINATED AND ALSO
MARKED WITH A "P".

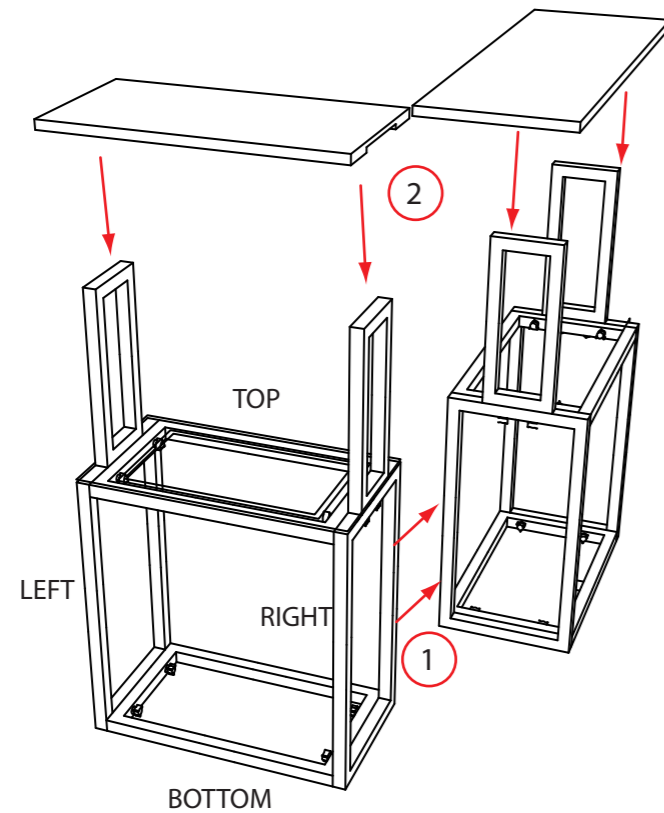


1. LIE PART LABELED "BOTTOM"
ON THE GROUND WITH THUMB
SCREWS FACING OUTWARD. THEN
ATTACH ALL PARTS. REPEAT ON OTHER UNIT.

2. ATTACH COUNTER TOP
SUPPORTS TO THE THUMB
SCREWS ON THE "RIGHT" AND
"LEFT" PARTS.



3. FIRST ATTACH THE TWO UNITS AND (1).
THEN PLACE COUNTER TOPS AT (2).



4. SECURE UNITS AND MOVE
INTO THE DESIRED LOCATION.

