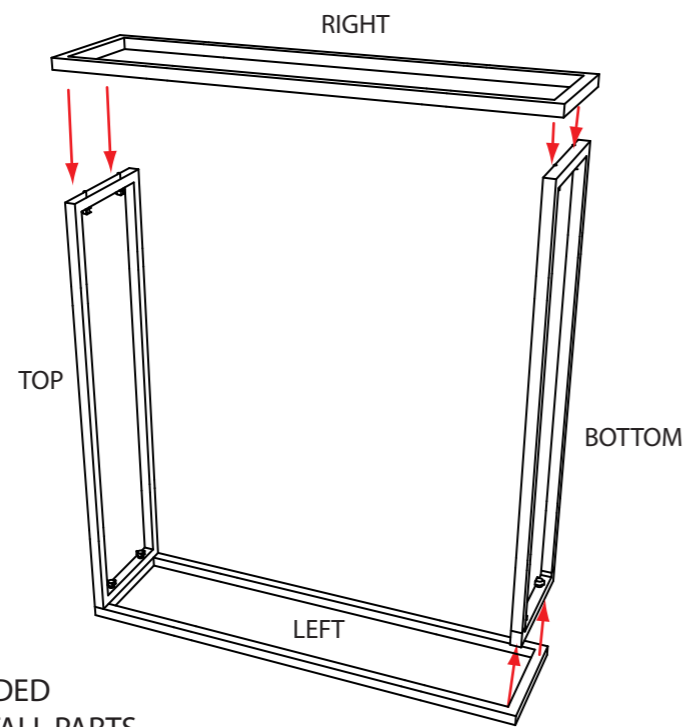
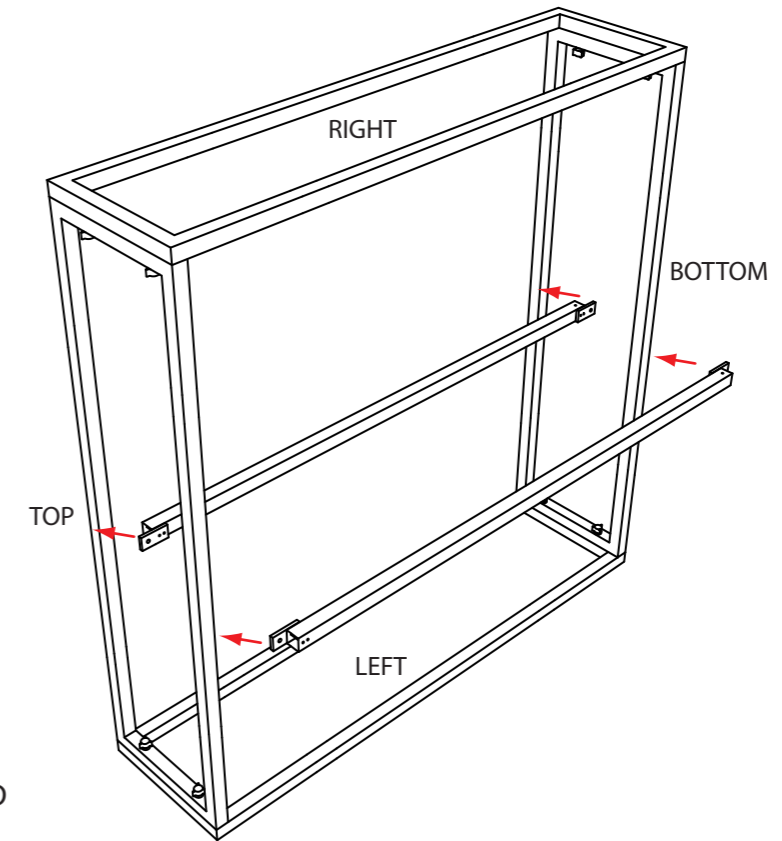


HALF- DOUBLE TOWER ASSEMBLY

* ALL CONNECTION POINTS ARE
NUMERICALLY AND COLOR
COORDINATED.

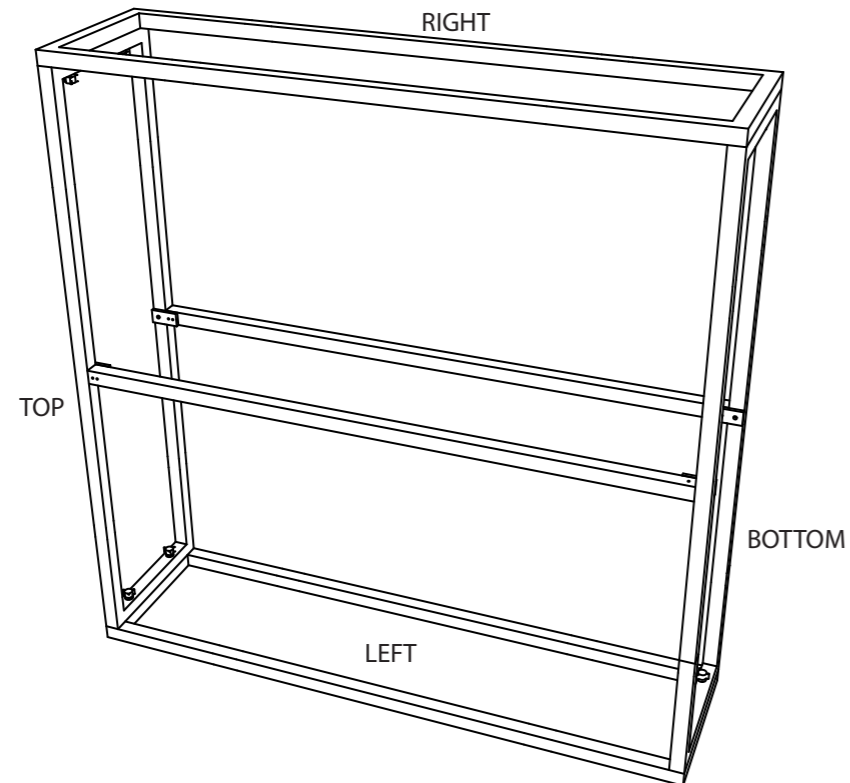


1. LIE PART LABELED "LEFT"
ON THE GROUND WITH THREADED
INSERTS FACING UP. THEN INSTALL PARTS
LABELED TOP AND BOTTOM.



2. ATTACH CROSS PIECES TO THE "TOP AND
BOTTOM USING THUMB SCREWS.

3. LIE PART LABELED "RIGHT"
ON TOP OF THE ATTACHED CROSS
PIECES AND TIGHTEN THUMB
SCREWS.



4. SLOWLY STAND THE TOWER AND MOVE
INTO ITS DESIRED LOCATION.

