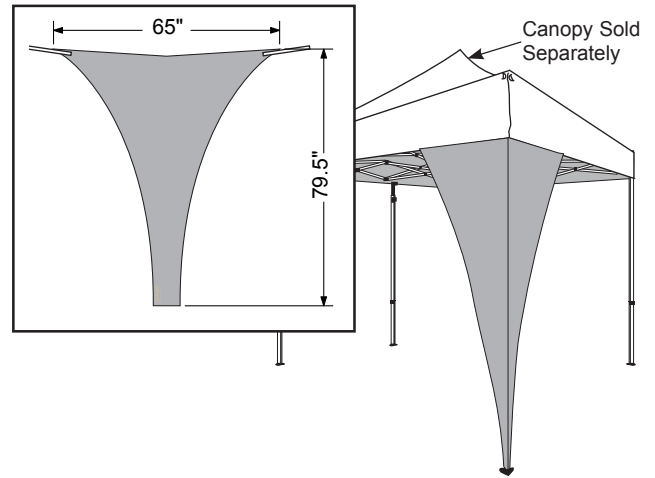


Product Parts

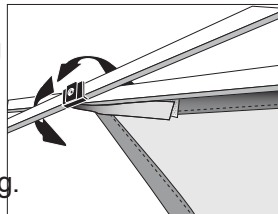
- 1 - Tent Leg Banner (Qty:2)
- 2 - 190712 Elastic Cord Kit includes: A-Elastic Cord B-Ring C-Clip



Banner Install

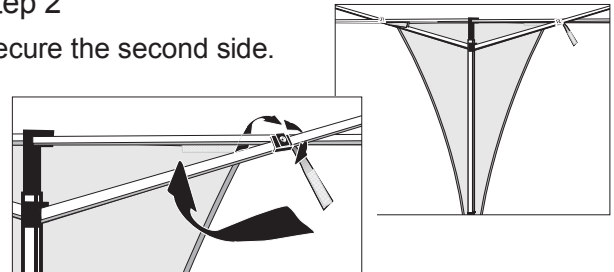
Step 1

Secure one side of the Tent Leg Banner (1) to the tent frame by wrapping the webbing strap around the first "x" truss connection closest to the tent leg.



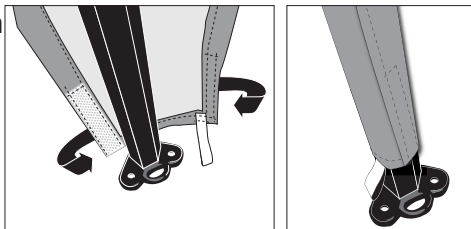
Step 2

Secure the second side.



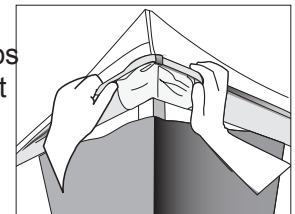
Step 3

Wrap the bottom of the Tent Leg Banner (1) to the tent leg and attach the hook to the loop.



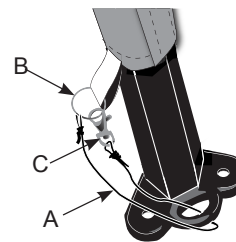
Step 4

Loosen/tighten webbing straps as necessary to position Tent Leg Banner as desired. Lay Tent Valance (Canopy sold separately) over Tent Leg Banner (1).



Step 5 (optional) :

Remove the Ring (B) from the Clip (C). Connect the Ring (B) to the webbing loop at the bottom end of your tent leg banner. Tie the elastic bungee to the Ring (B) and to the end of the clip. Run the Elastic Cord (A) with Clip (C) through an opening in the tent foot. Secure it to the Ring (B).



Storage

Store in a cool dry location.

Care

To clean, wipe with damp cloth. Air dry only. Do NOT dry clean. Do NOT iron.

Warranty Information: All products are designed to provide the user with a cost-effective and durable product. Standard warranty is a 'one year parts and labor' warranty which warrants product against defects in material and workmanship. It does not cover damage due to accidents, abuse, or normal wear and tear. Products found to be defective will be replaced or repaired at factory's discretion.