

# Formulate Tablet Kiosk - 03

## TABLET-STD-03

Sleekly-designed free standing tablet stands and kioks make it easy to encourage interactivity, present information and engage your customers in any space.



## features and benefits:

- State-of-the-art 30mm aluminum tube frame with sturdy internal spigot assembly
- Easy to store and ship
- Quick to set up
- Kit includes: one frame, one dye-sublimated pillowcase graphic, tablet holder, and one wheeled molded OCE storage case
- Lifetime hardware warranty against manufacturer defects

## dimensions:

Hardware	Graphic
<p>Assembled unit: 19.982"w x 64.335"h x 15.203"d 507.5mm(w) x 1634mm(h) x 386mm(d)</p> <p>Approximate weight (includes graphic): 16.38 lbs / 7.43 kg</p>	<p>Total visual area: Front: 28.031"w x 64.5"h Back: 27"w x 64.5"h</p> <p>Front panel has obstructions for tablet. This space will be covered.</p> <p>Please be sure to include 2" bleed around the perimeter.</p>
<p>Shipping</p> <p>Shipping dimensions: 1 OCE case: 18"l x 18"w x 40"h up to 66"h 457mm(l) x 457mm(w) x 1016mm(h) up to 1675mm(h)</p> <p>Approximate shipping weight (with case): 37.38 lbs / 16.95 kg</p>	<p>Refer to related graphic template for more information.</p>

## additional information:

Graphic material:  
Dye-sublimated pillowcase fabric

Tablet not included

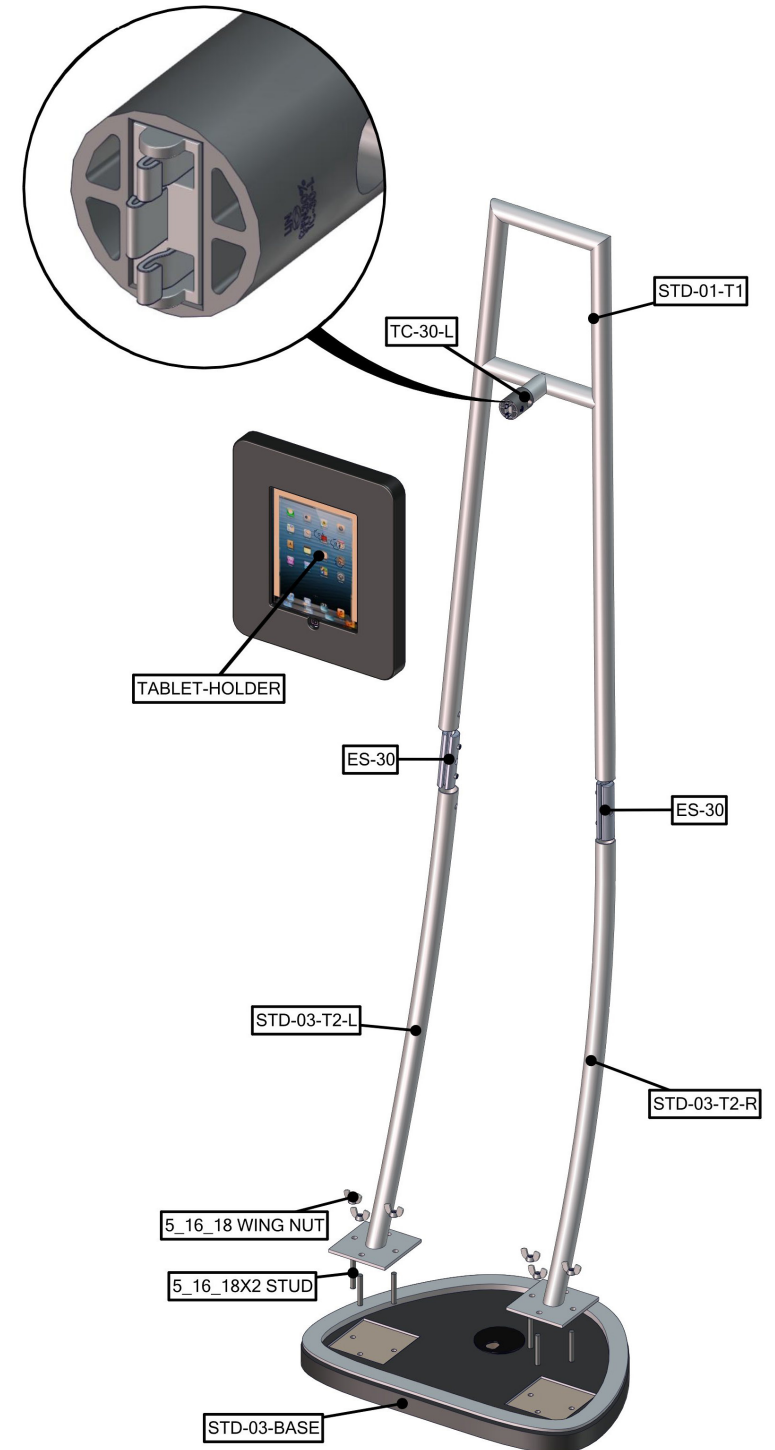
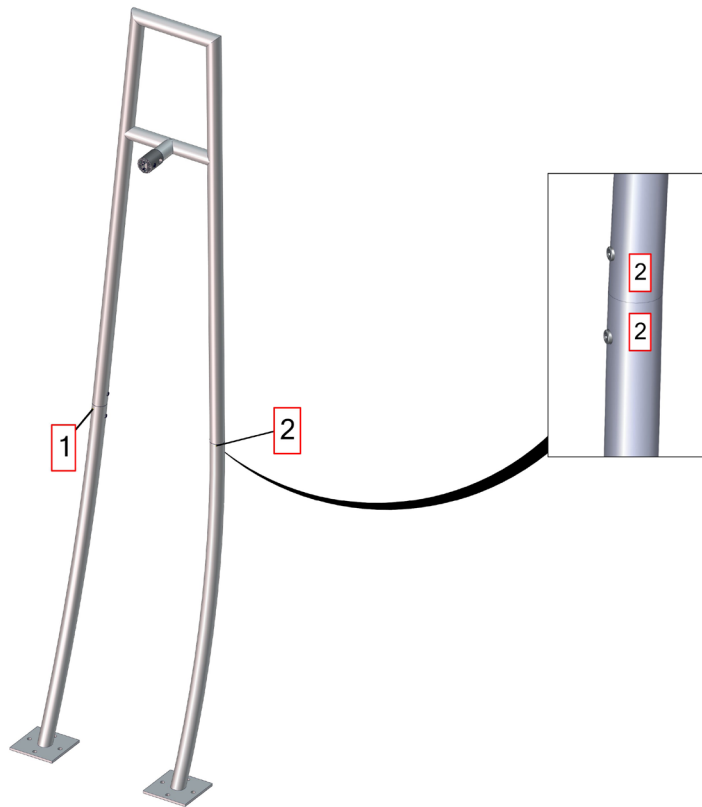
\*Tablet holder compatible with 2nd and 3rd generation iPad tablets only.



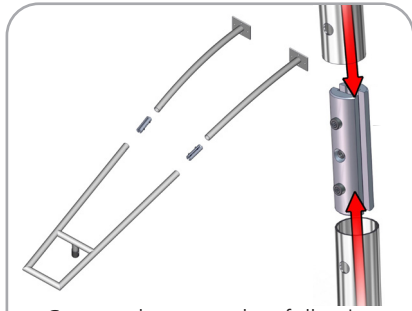
We are continually improving and modifying our product range and reserve the right to vary the specifications without prior notice. All dimensions and weights quoted are approximate and we accept no responsibility for variance. E&OE. See Graphic Templates for graphic bleed specifications.

## Parts Included

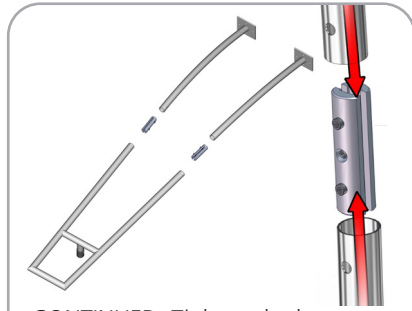
Part Label	Qty	Part Code
5/16-18 WING NUT	x6	5_16_18 WING NUT
5/16-18 X 2" STEEL STUD	x6	5_16_18X2 STUD
EXPANDING SPIGOT FOR 30MM TUBE	x2	ES-30
11 3/8" X 13 3/8" TABLET HOLDER (FOR GEN 2 & 3 ONLY)	x1	TABLET-HOLDER
STD-03 BASE	x1	STD-03-BASE
FABRIC GRAPHIC FOR STD-03	x1	STD-03-G
30MM TUBE END SECTION	x1	STD-01-T1
30MM CURVED TUBE WITH PLATE LEFT SIDE	x1	STD-03-T2-L
30MM CURVED TUBE WITH PLATE RIGHT SIDE	x1	STD-03-T2-R
30MM TUBING ADAPTOR WITH LOCK	x1	TC-30-L



### STEP 1: ASSEMBLE FRAME



Connect bottom tubes following the labels by matching number to number. Slide joiner into tubing so hex screw sits in hole on tubing.

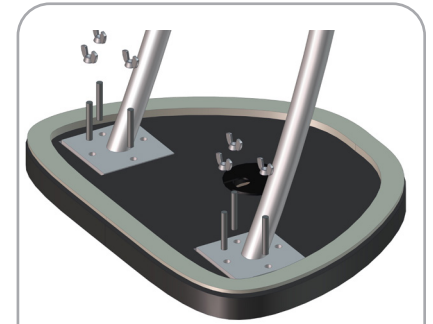


CONTINUED: Tighten the hex screw so the joiner separates and tightens against the inside of the tubing, locking the joiner & tubing together.

### STEP 2: ATTACH BASE

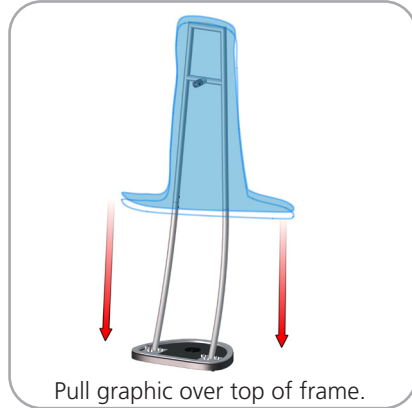


Once frame is assembled, position frame over base to attach.

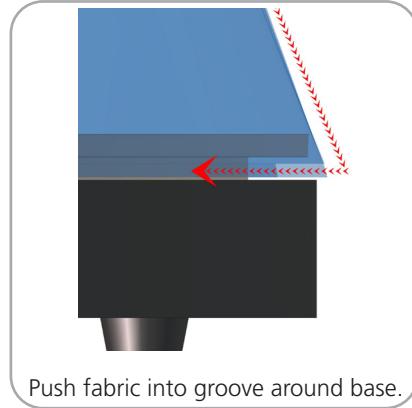


Insert threaded rods by hand. Tighten wing nuts to secure base.

### STEP 3: ATTACH GRAPHIC

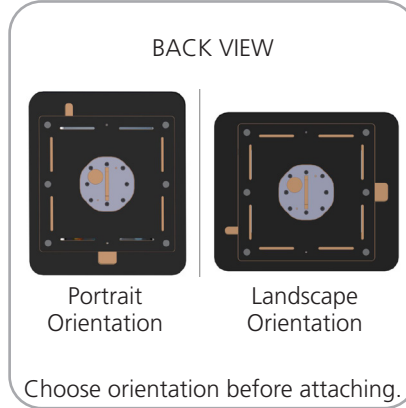


Pull graphic over top of frame.

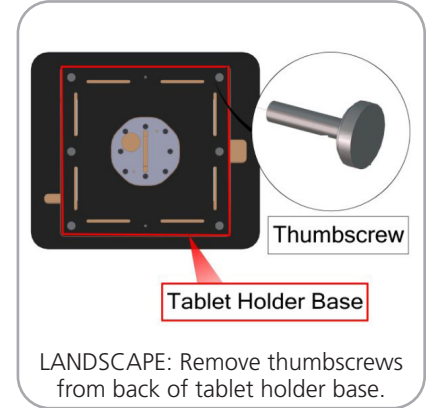


Push fabric into groove around base.

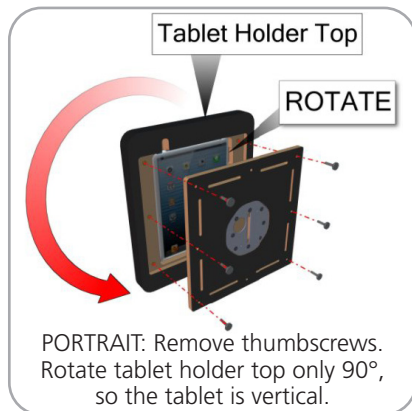
### STEP 4: INSTALL TABLET HOLDER



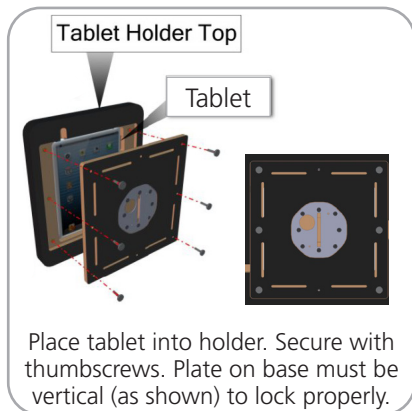
Choose orientation before attaching.



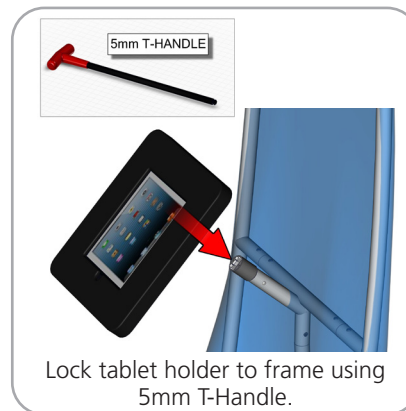
LANDSCAPE: Remove thumbscrews from back of tablet holder base.



PORTRAIT: Remove thumbscrews. Rotate tablet holder top only 90°, so the tablet is vertical.



Place tablet into holder. Secure with thumbscrews. Plate on base must be vertical (as shown) to lock properly.



Lock tablet holder to frame using 5mm T-Handle.



Unit is complete.