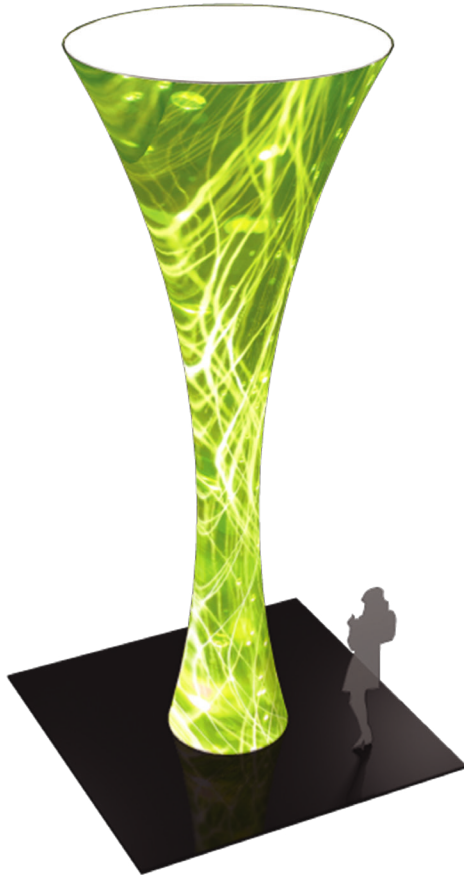


# Formulate 20' Funnel

FUN-01

Formulate™ Funnels transform any environment through form, fabric and lighting. Funnels feature a heavy-duty, wooden base and silver powder coated truss interior to create a dynamic, towering structure that commands attention. Fabric graphics feature a zipper at the top and a silicone edge at the bottom for easy assembly. Accent LED light kits are not included, but can be purchased a la carte to add a glow within the funnel structures.



## features and benefits:

- State-of-the-art 30mm curved aluminum tube frame with expanding spigots
- Easy to store and ship
- Quick to set up
- Kit includes: one frame, one dye-sublimated zipper pillowcase graphic, and two wheeled molded OCH2 storage cases (base packs separately).
- Lifetime hardware warranty against manufacturer defects

## dimensions:

Hardware	Graphic
<p>Assembled unit: 237”h x 42”dia (base) to 98.5”dia. (top) 6020mm(h) x 1067mm(dia.) to 2502mm(dia.)</p> <p>Approximate weight (includes graphic): 172 lbs / 78 kg</p>	<p>Total visual area: 96.87”w x 246.92”h, three prints 2460.5mm(w) x 6272mm(h)</p> <p>Please be sure to include 5” bleed around the perimeter.</p> <p>Refer to related graphic template for more information.</p>
<p>Shipping</p> <p>Shipping dimensions: 2 OCH2 cases (each case): 52”l x 30”w x 15”h 1321mm(l) x 762mm(w) x 381mm(h)</p> <p>Approximate shipping weight (with cases): 232 lbs / 105 kg</p>	

## additional information:

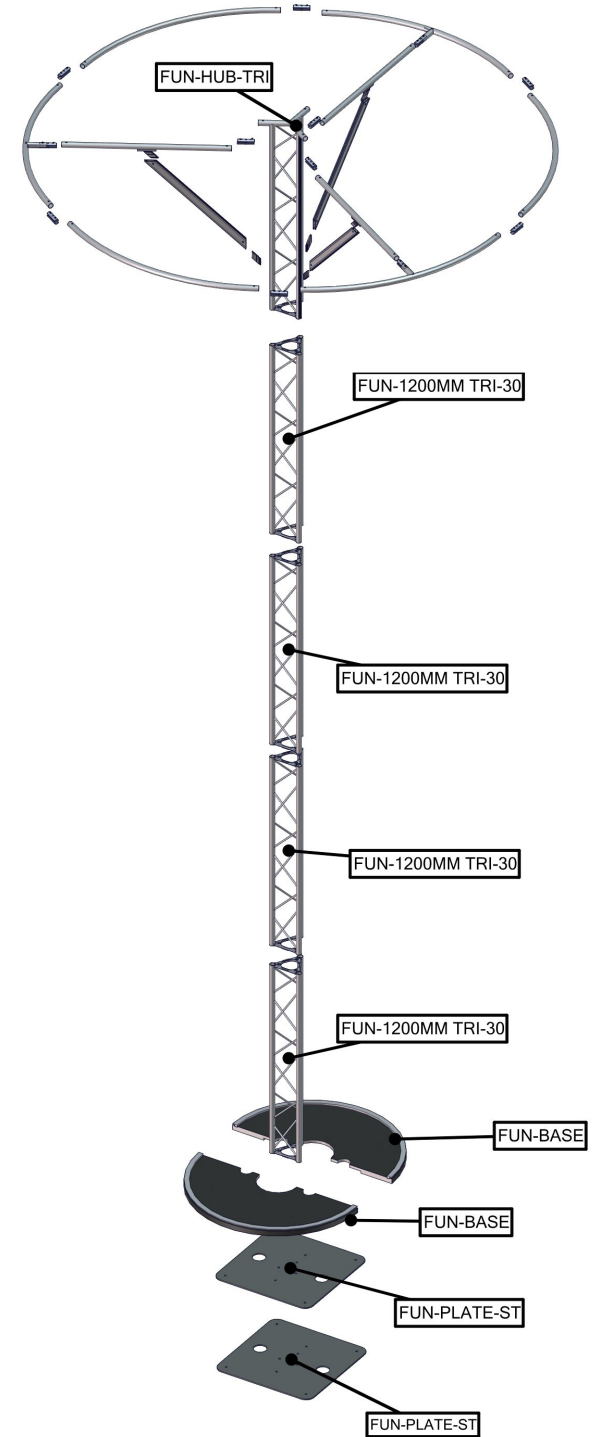
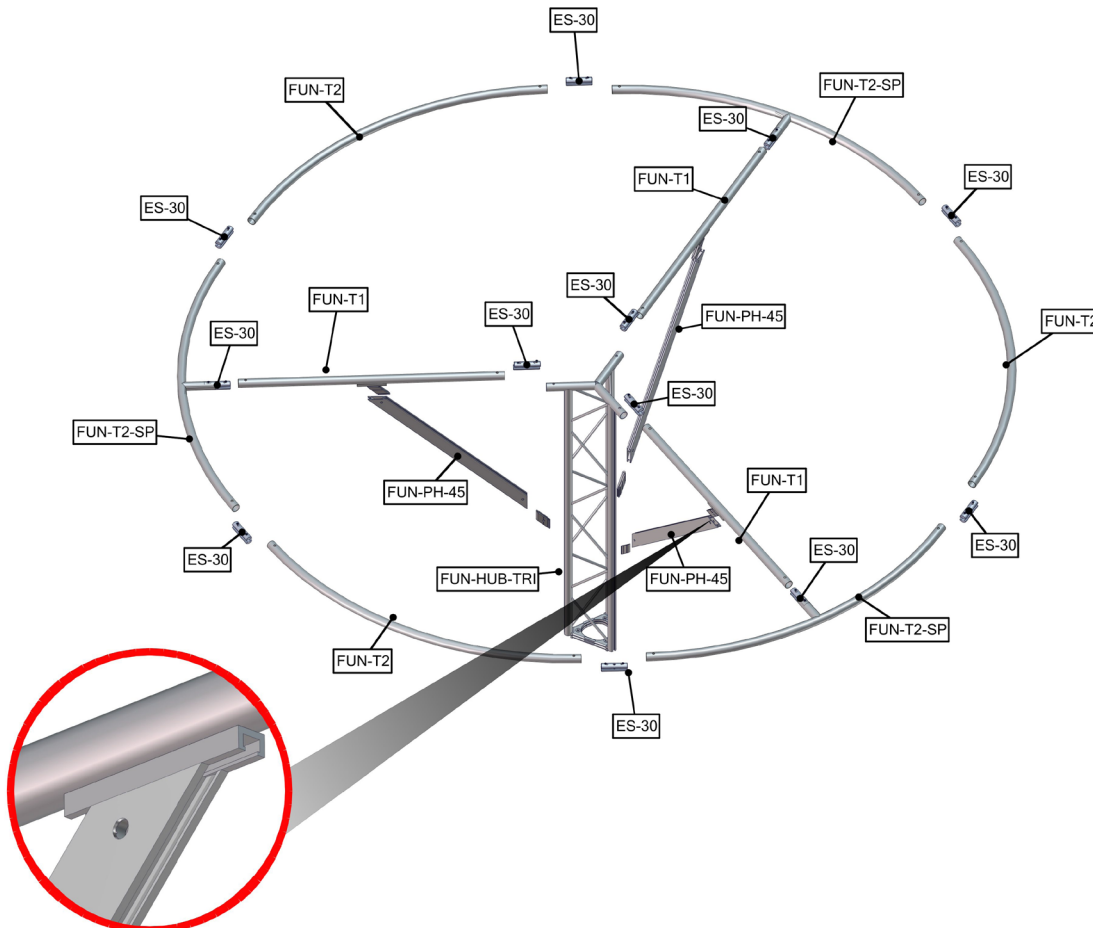
Graphic material:  
dye-sublimated zipper pillowcase graphic with opaque liner



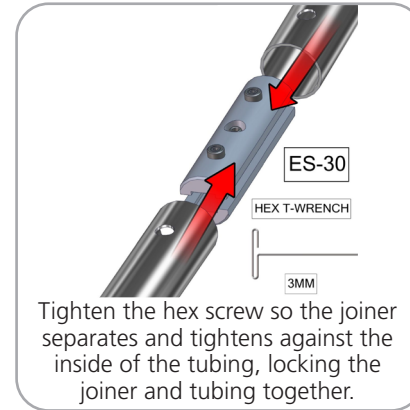
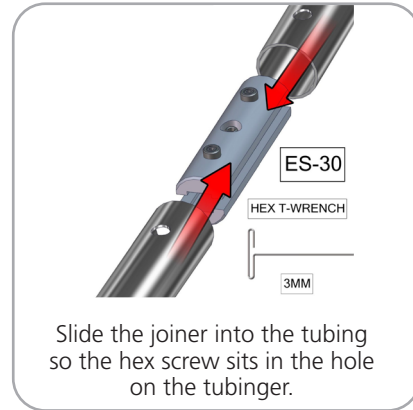
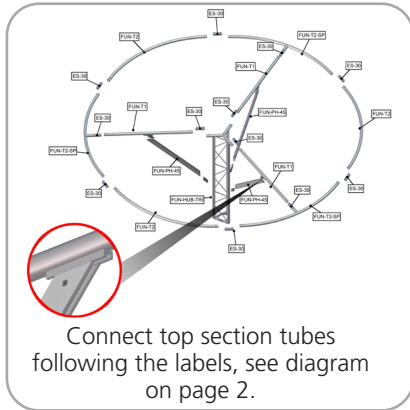
We are continually improving and modifying our product range and reserve the right to vary the specifications without prior notice. All dimensions and weights quoted are approximate and we accept no responsibility for variance. E&OE. See Graphic Templates for graphic bleed specifications.

## Parts Included

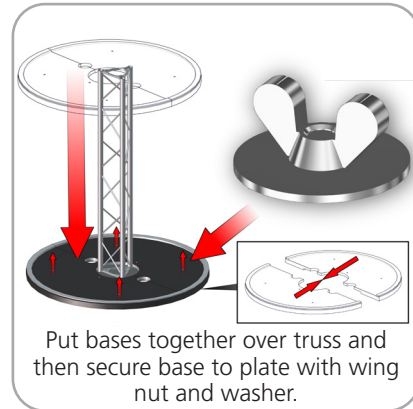
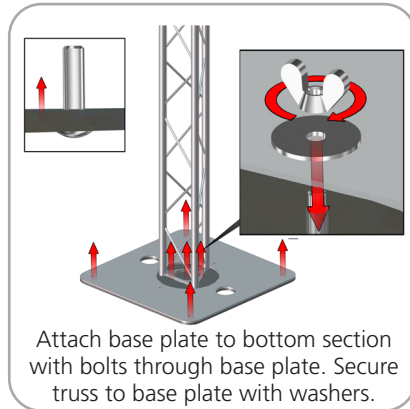
Part Label	Qty	Part Code
EXPANDING SPIGOT FOR 30MM TUBE	x12	ES-30
1200MM TRI-30 TRUSS	x4	FUN-1200MM TRI-30
(2) PCS BASE WITH FC RING	x1	FUN-BASE
24" X 24" X 1/4" STEEL BASE PLATE	x2	FUN-PLATE-ST
775MM PH 45 DEG. LOCKS BOTH ENDS	x3	FUN-PH-45
30MM X 916MM SPREADER TUBE WITH PE	x3	FUN-T1
30MM X 5' CURVED TUBE WITH SPREADER	x3	FUN-T2-SP
30MM X 5' CURVED TUBE	x3	FUN-T2
1200MM LENGTH OF TRILOCK TRUSS HUB WITH CHANNELS	x1	FUN-HUB-TRI



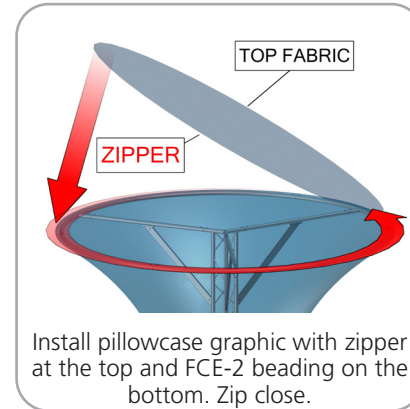
## STEP 1: ASSEMBLE FRAME



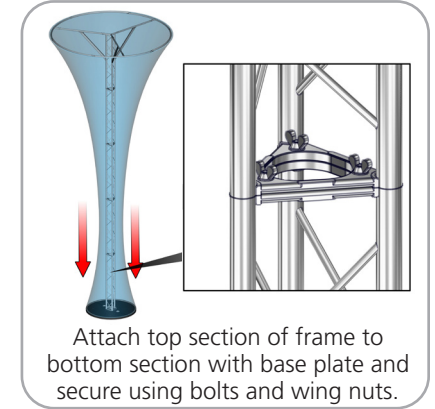
## STEP 2: ATTACH BASE



## STEP 3: ATTACH GRAPHIC



## STEP 4: ATTACH TRUSS



## STEP 5: ATTACH GRAPHIC

