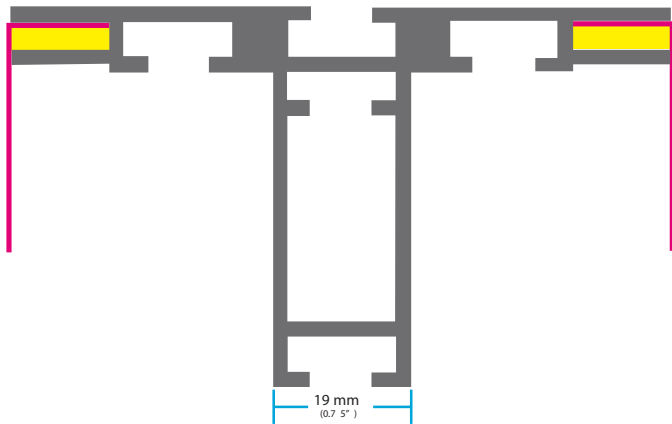
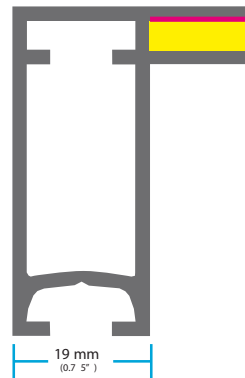


# What is SEG

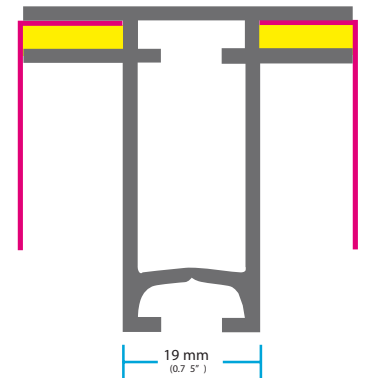
## Extrusion frames we are able to create SEG graphics for:



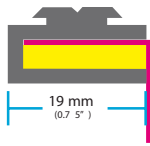
Classic MODUL®  
Double sided capability  
TSP 50



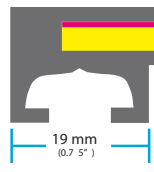
Classic MODUL®  
Double sided capability  
TSP 46



Classic MODUL®  
Double sided capability  
TSP 49



Classic MODUL®  
Double sided capability  
TSP 3

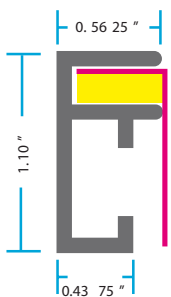


Classic MODUL®  
Double sided capability  
TSP 10

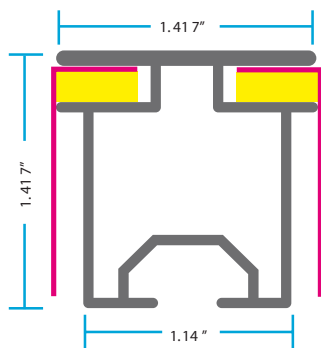


Classic MODUL®  
Double sided capability  
TSP 47

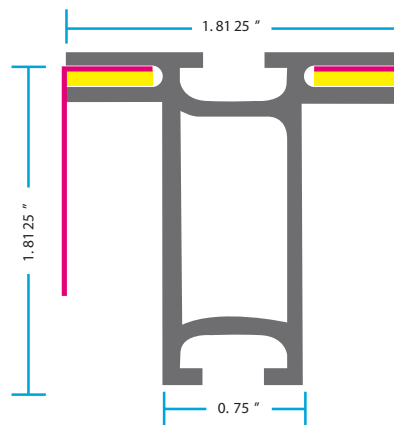
## Extrusion frames carried in stock:



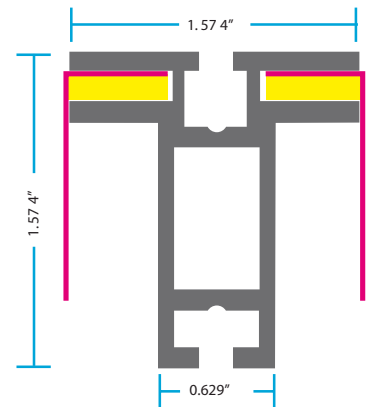
Infinity™  
Single sided only



Nouveau™  
Double sided capability  
Mer-CT-4200



Agam™  
Double sided capability  
FH452



Octanorm™  
Double sided capability  
M1307

 Fabric graphic

 Extrusion frame

 SEG {silicone edged graphics}

<http://www.american-image.com/products/graphics/silicone-edge-graphics.html>