



www.american-image.com

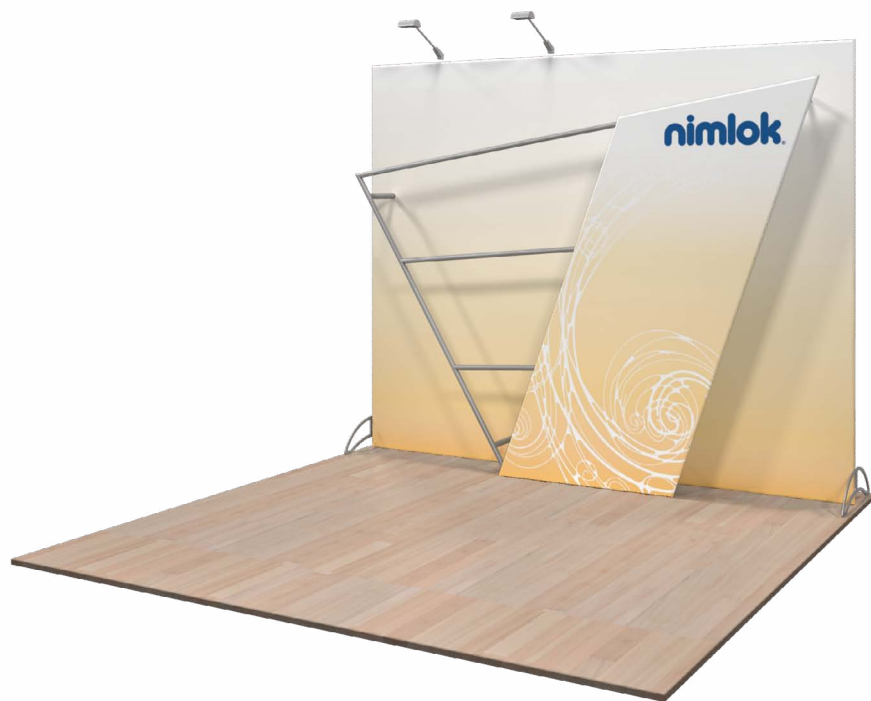
PULSE display details & setup instructions

nimlok®
authorized distributor

pulse kit 04

PK-4

Pulse is a collection of cleverly-designed state-of-the-art 10' exhibit booths. Pulse combines light-weight aluminum structures with pillowcase dye-sublimated printed fabric graphics for a truly unique appearance and experience. Pulse is efficient, easy to assemble and disassemble and offers remarkable style options and choices.



features and benefits:

- State-of-the-art snap button aluminum structure
- Frame constructed of 30mm lightweight aluminum tube
- High-quality dye-sublimated zipper pillowcase graphics
- Brushed silver finish on exposed tube
- Easy step-by-step instructions
- Kit includes two frames, two fabric pillowcase graphics, two wheeled molded cases and two 120 watt floodlights
- Lifetime warranty on hardware against manufacturer defects

dimensions:

Hardware	Graphic
Assembled unit: 117.5"w x 92"h x 27"d 2984.5mm(w) x 2336.8mm(h) x 685.8mm(d)	Foreground: Total visible area: 70.763"w x 85.91"h 1797.38mm(w) x 2182.11mm(h)
Shipping Shipping dimensions - ships in 2 cases Each MGC50 case: 19"l x 19"w x 56"h 482.6mm(l) x 482.6mm(w) x 1422.4mm(h)	Background: Total visible area: 114"w x 92"h 2895.6mm(w) x 2336.8mm(h)
Approximate shipping weight (entire kit): 110 lbs/ 49.9 kg	Refer to related graphic templates for more information

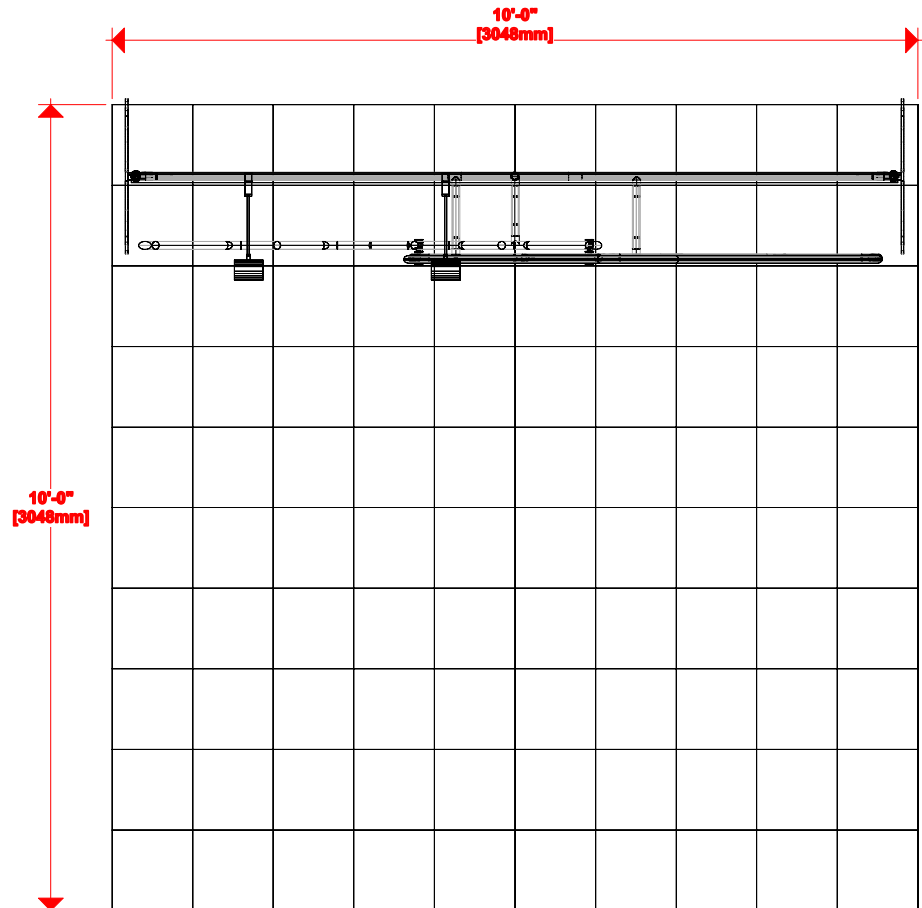
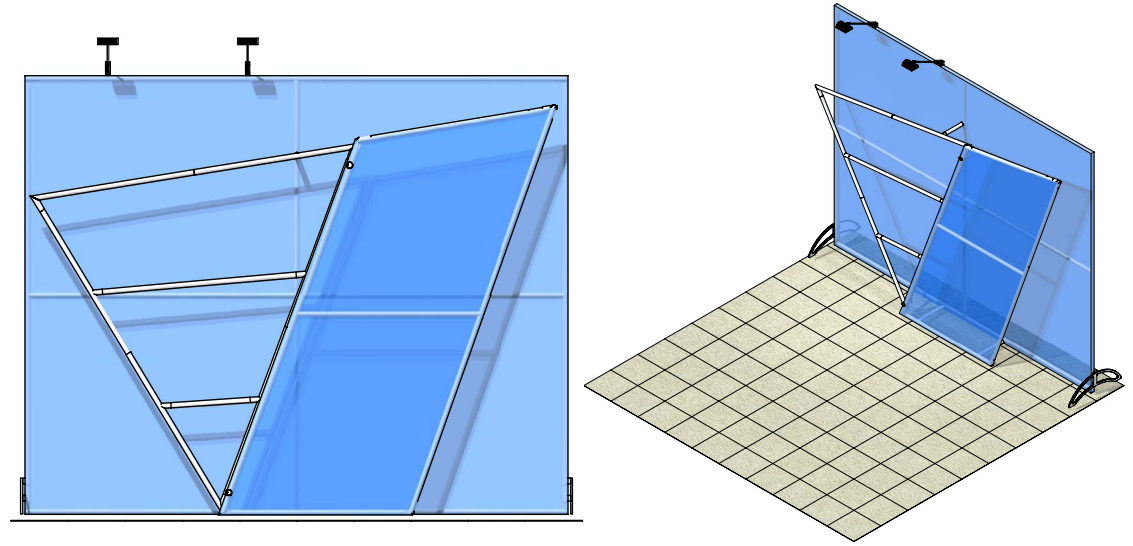
additional information:

Graphic materials: Dye-sublimated fabric	Lights included: L10S 120 watt floodlight, curved arm, black finish, 19.5" from end to end
---	--

nimlok

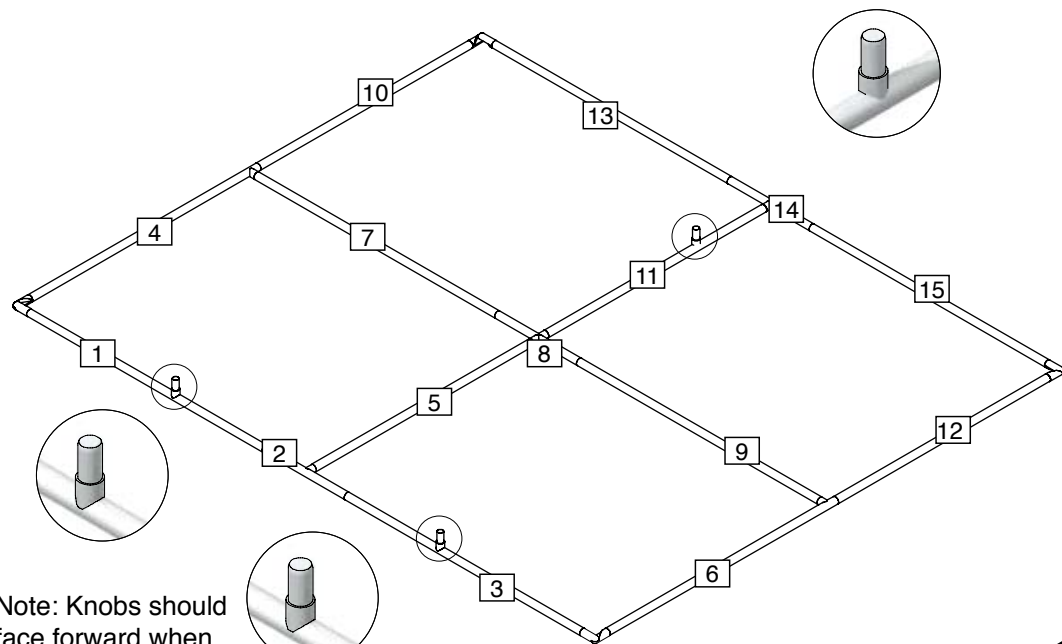
pulse

Parts included			
Part Label	Qty	Part Label	Qty
1	x1	2C	X1
2	x1	3C	X1
3	x1	4C	X1
4	x1	5C	X1
5	x1	6C	X1
6	x1	7C	X1
7	x1	8C	X1
8	x1	9C	X1
9	x1	Feet	x2
10	x1	Lights	x2
11	x1	Background graphic	x1
12	x1	Foreground graphic	x1
13	x1		
14	x1	Tool	x1
15	x1		
1B	x1		
2B	x1		
3B	x1		
4B	x1		
5B	x1		
6B	x1		
7B	x1		
8B	x1		
9B	x1		
1C	x1		

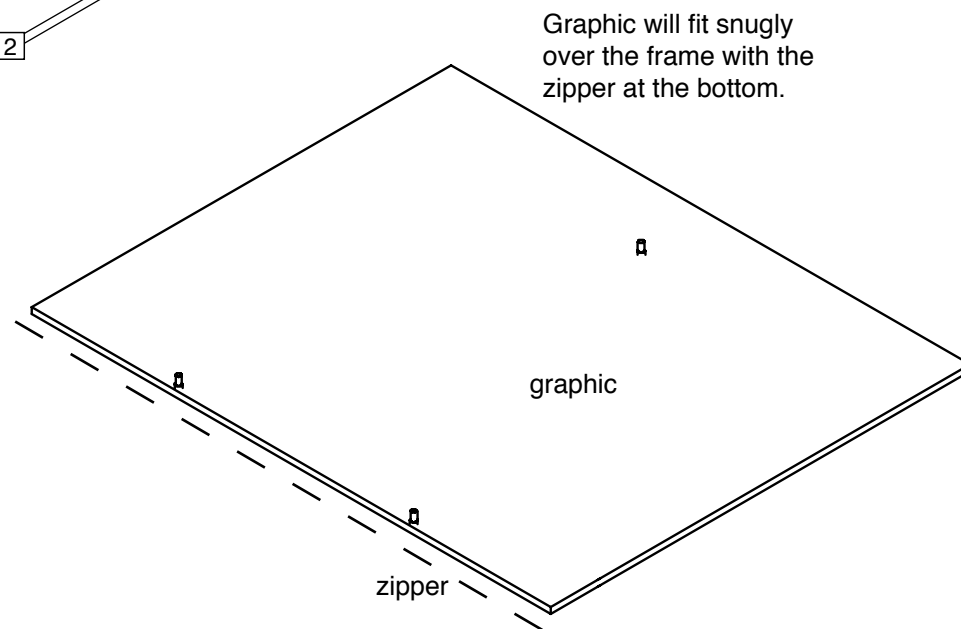
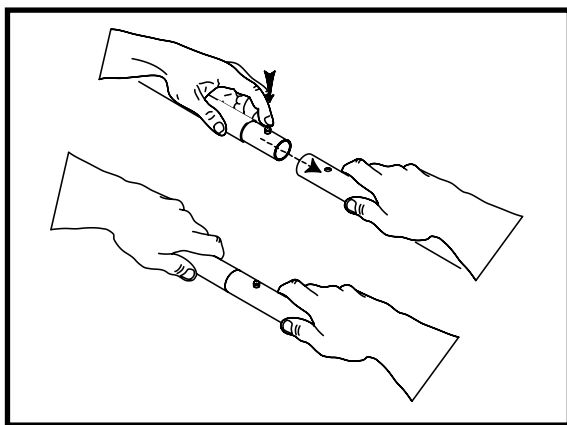


Step 1. Assemble background frame

Lay pieces out flat and assemble in numerical order as shown. Numbers will be on the back side of the tube. When frame is complete, stretch background graphic over the frame starting at the top. Pull tightly all the way down assuring holes in graphic align with knobs on frame and secure with zipper.

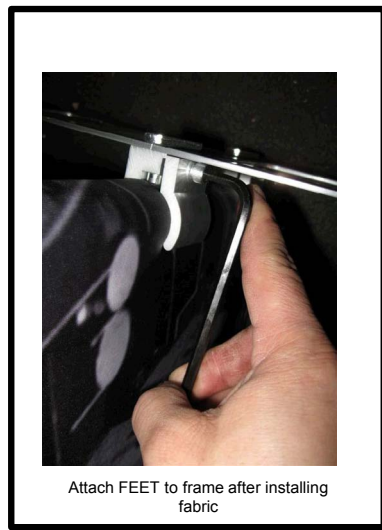
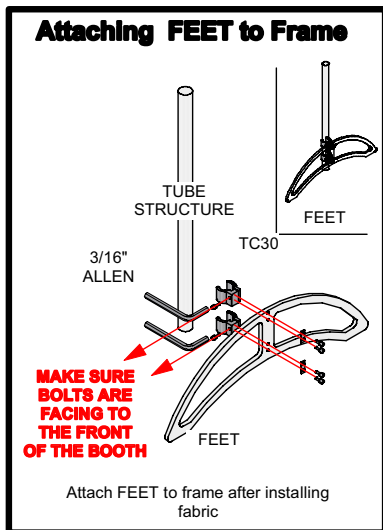
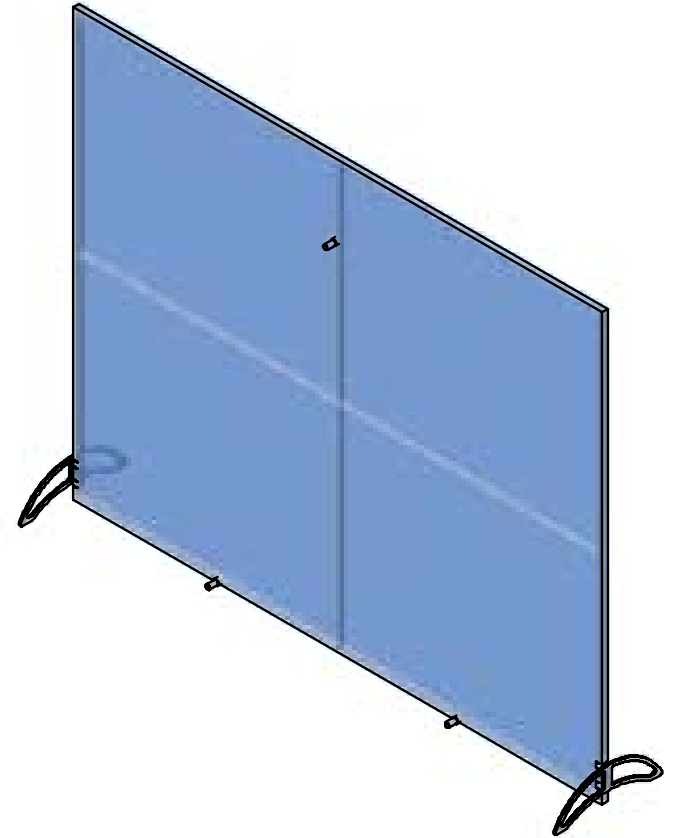
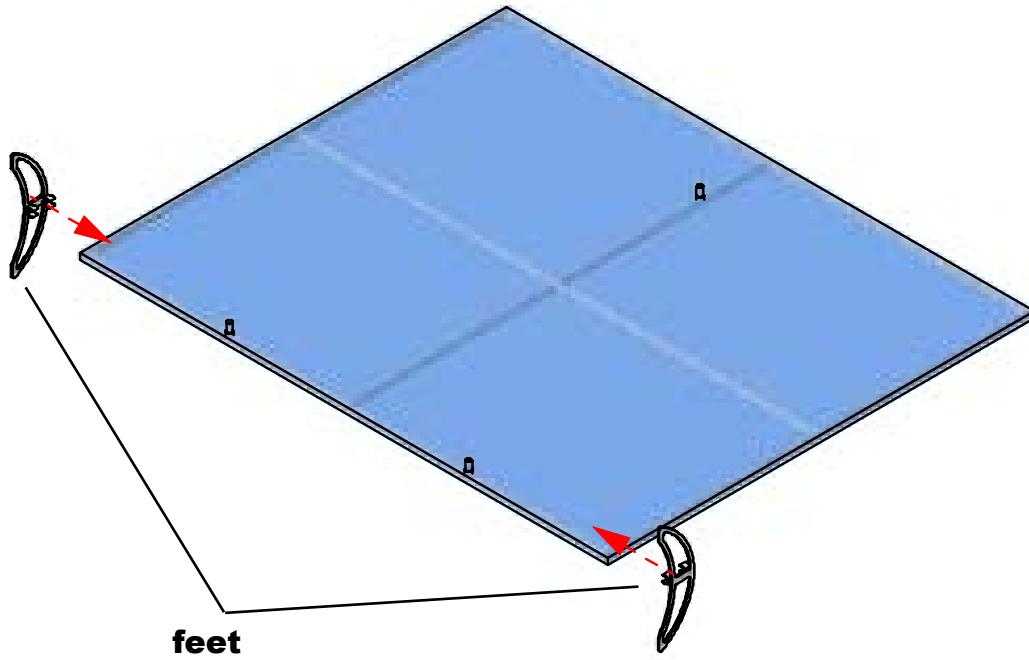


Note: Knobs should face forward when frame stands upright.



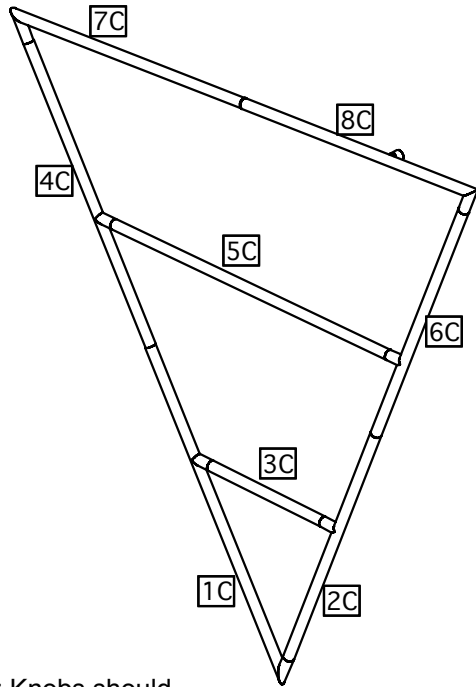
Step 2.

Attach feet to background frame using details shown below. Stand unit upright. Adjust the height of feet to ensure display is level.

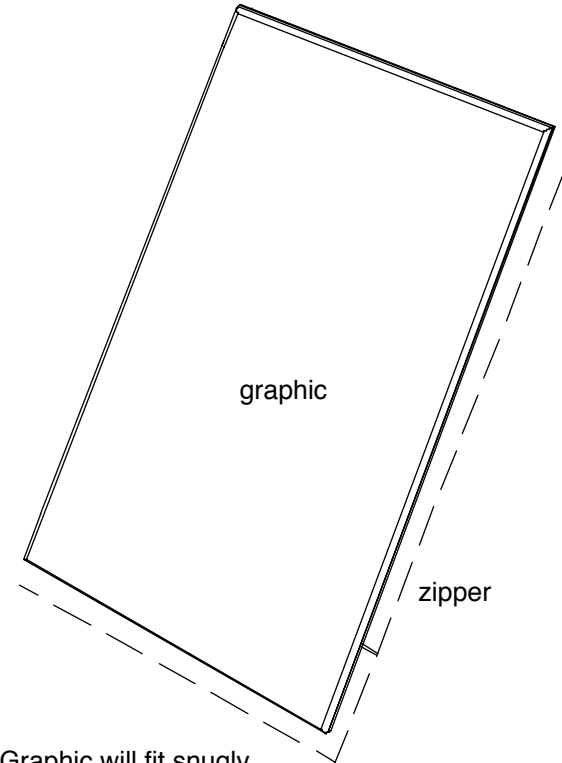
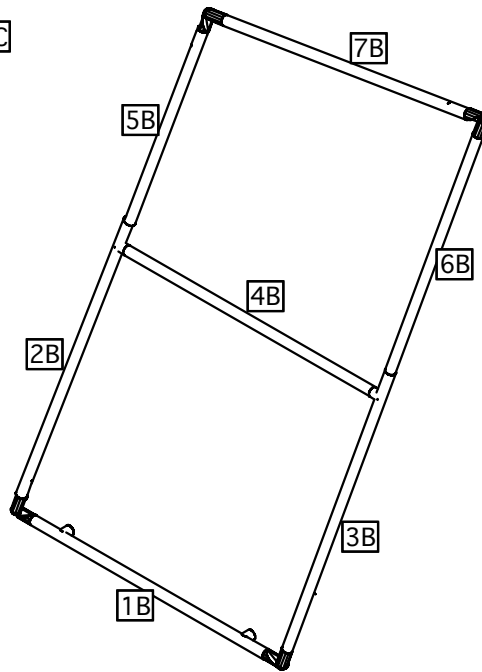


Step 3. Assemble foreground frame

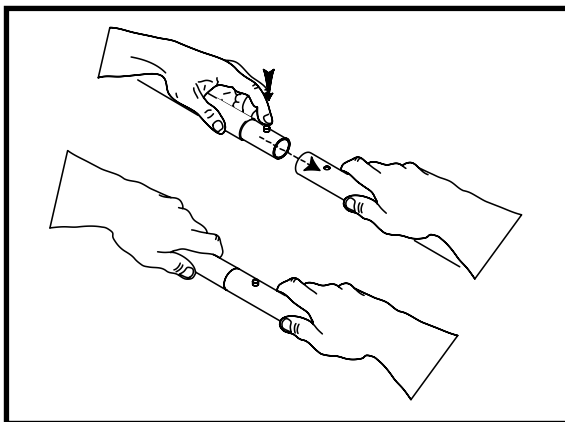
Lay pieces out flat and assemble in numerical order as shown. Numbers will be on the back side of the tube. When frame is complete, stretch foreground graphic over the right half of the foreground frame, starting at the top. Pull tightly all the way down assuring holes in graphic align with knobs on frame and secure with zipper.



Note: Knobs should face backwards when frame stands upright.

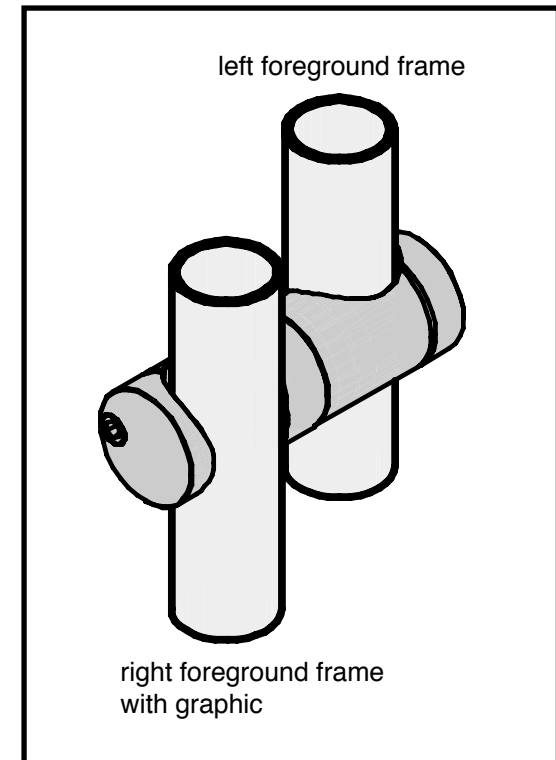
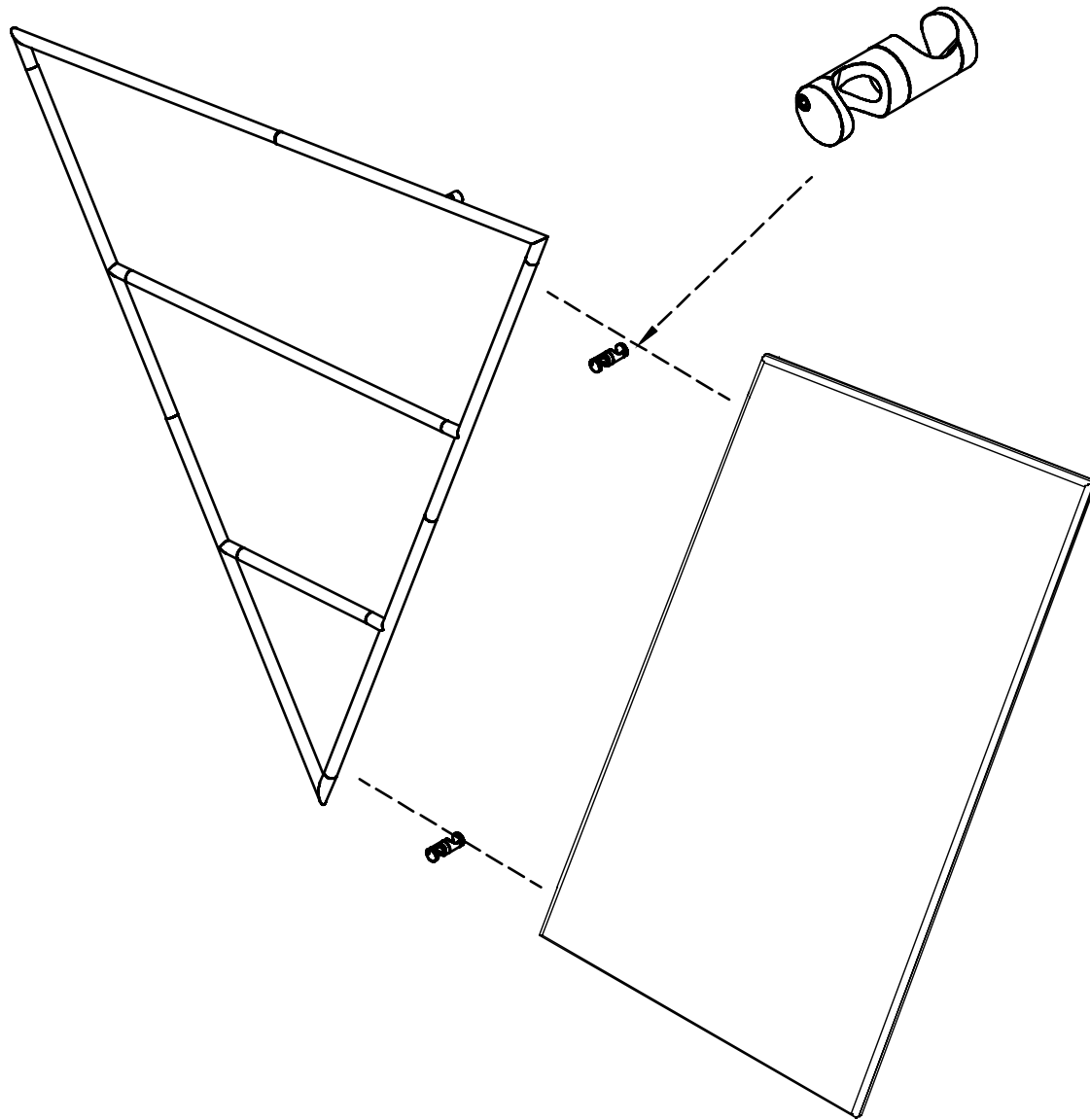


Graphic will fit snugly over the frame with the zipper at the top.



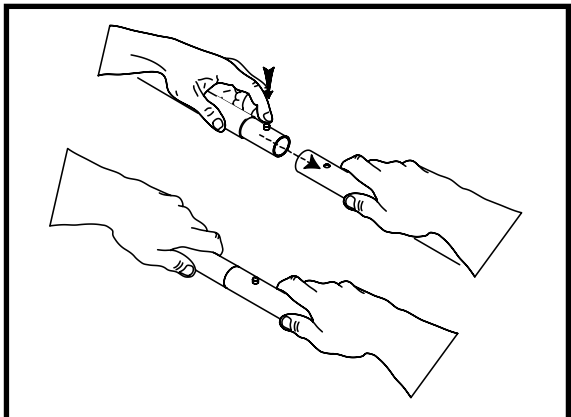
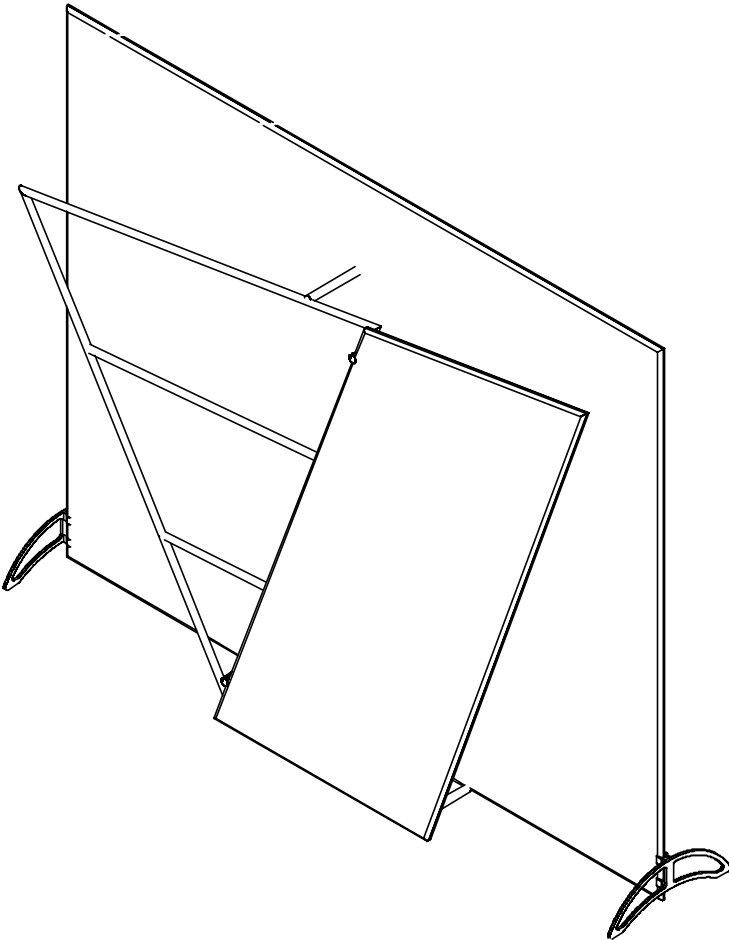
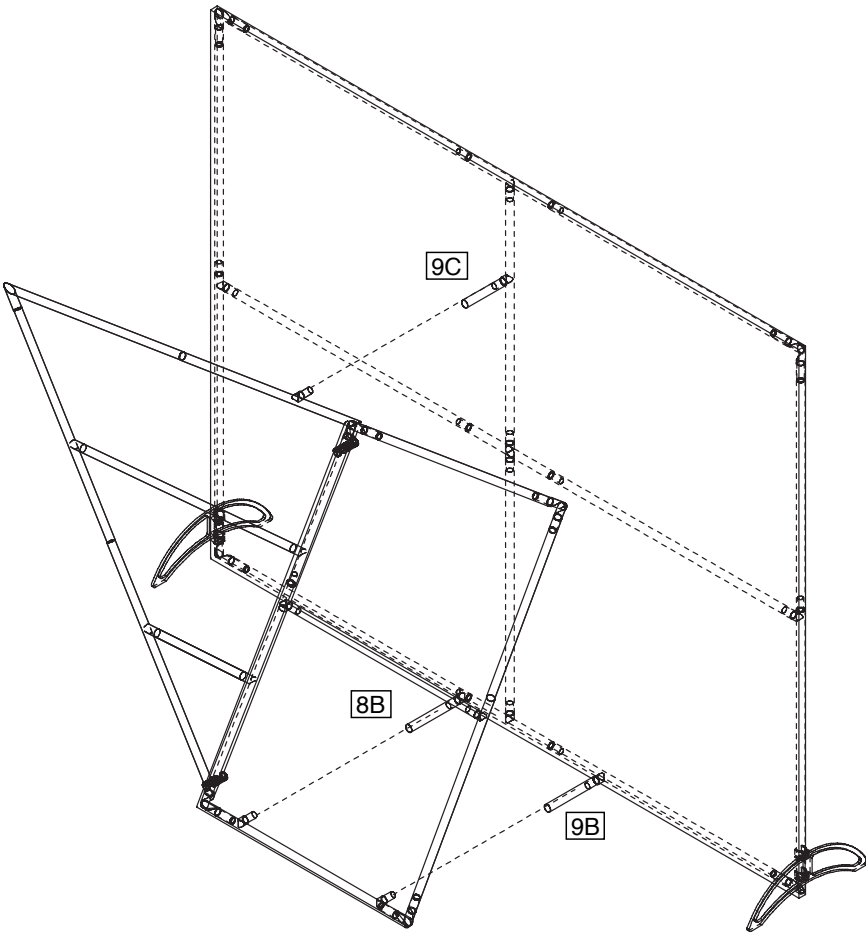
Step 4.

Connect the left and right sections of the foreground frame using the tube clamps as shown in the detail below. Tighten tube clamp using provided 5/32" hex key.



Step 5. Attach foreground frame to background frame

Attach two units together using 9C, 8B and 9B.



Step 6.
Attach lights to back frame as detailed in diagram below.

