



[www.american-image.com](http://www.american-image.com)

PULSE display details & setup instructions

**nimlok**®  
authorized distributor

# pulse kit 03

PK-3

Pulse is a collection of cleverly-designed state-of-the-art 10' exhibit booths. Pulse combines light-weight aluminum structures with pillowcase dye-sublimated printed fabric graphics for a truly unique appearance and experience. Pulse is efficient, easy to assemble and disassemble and offers remarkable style options and choices.



## features and benefits:

- State-of-the-art snap button aluminum structure
- Frame constructed of 30mm lightweight aluminum tube
- High-quality dye-sublimated zipper pillowcase graphics
- Easy step-by-step instructions
- Kit includes two frames, two fabric pillowcase graphics, two wheeled molded cases, and two 120 watt floodlights
- Lifetime warranty on hardware against manufacturer defects

## dimensions:

Hardware	Graphic
Assembled unit: 117.5"w x 96"h x 27"d 2984.5mm(w) x 2438.4mm(h) x 685.8mm(d)	Foreground: Total visible area: 95"w x 85.85"h 2413mm(w) x 2180.59mm(h)
	Background: Total visible area: 114"w x 92"h 2895.6mm(w) x 2336.8mm(h)
<b>Shipping</b>	Refer to related graphic templates for more information
Shipping dimensions - ships in 3 cases Two MGC50 cases, each: 19"l x 19"w x 56"h 482.6mm(l) x 482.6mm(w) x 1422.4mm(h)	
Approximate shipping weight (entire kit): 110 lbs/49.88 kg	

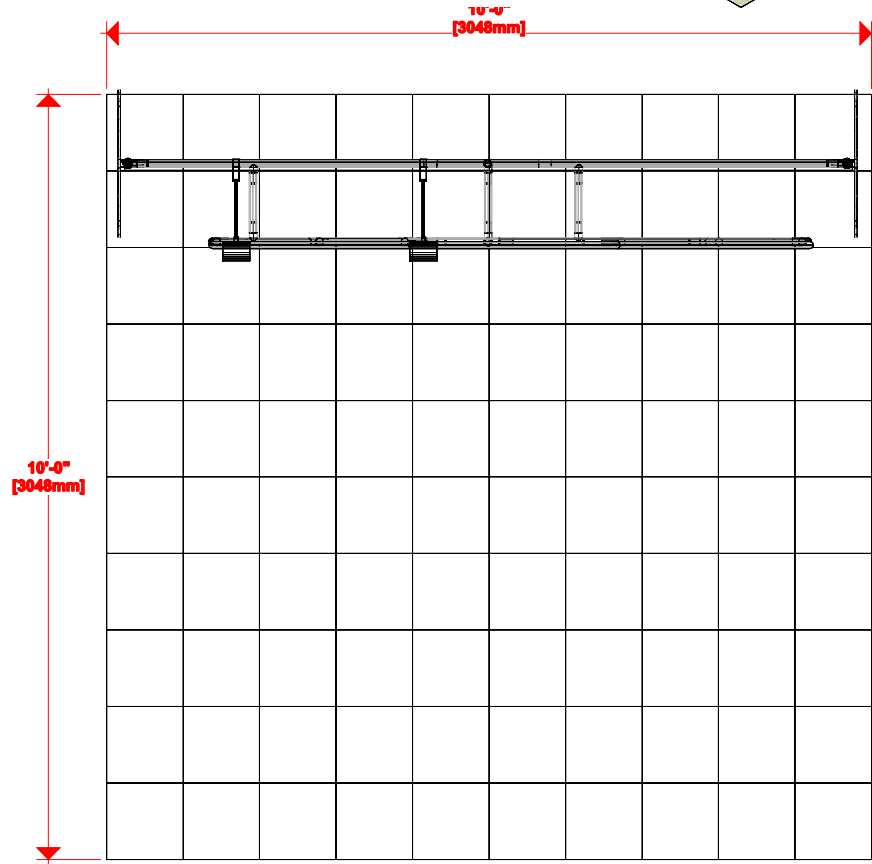
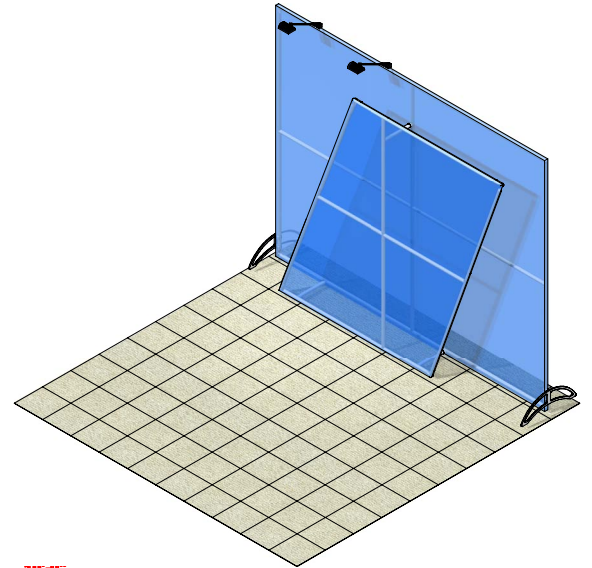
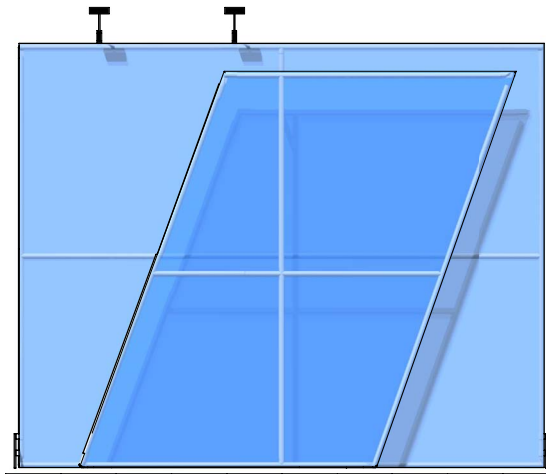
## additional information:

- |   |  |
|---|--|
| Graphic materials:<br>Dye-sublimated fabric | Lights included: L10S 120 watt floodlight, curved arm, black finish, 19.5" from end to end |
|---|--|

**nimlok**

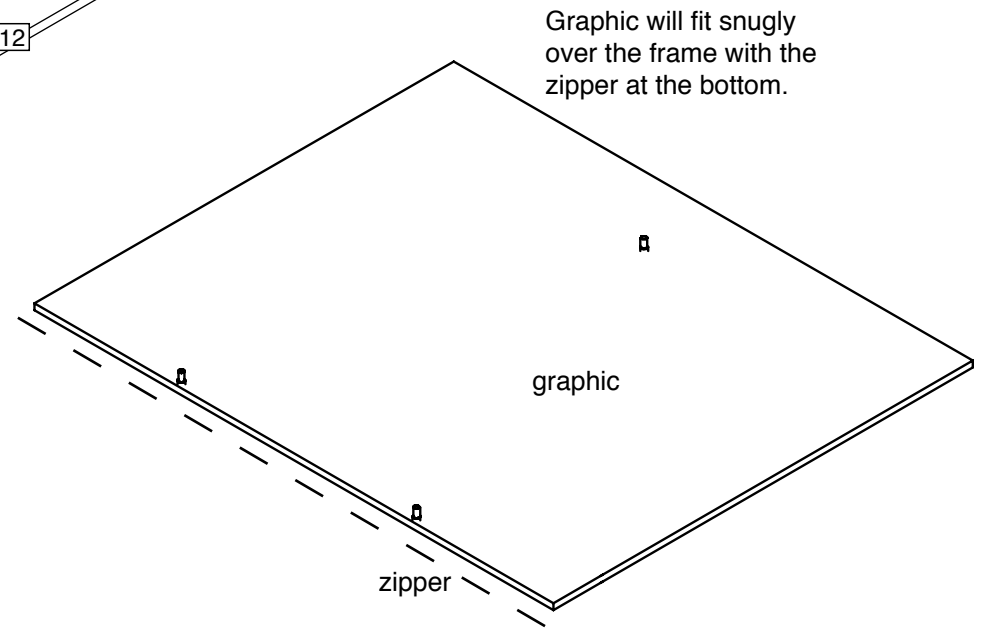
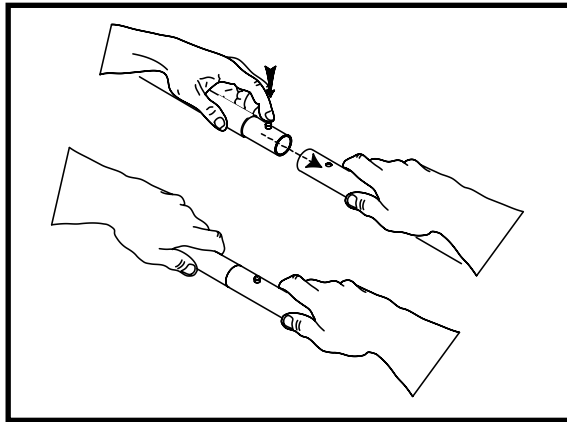
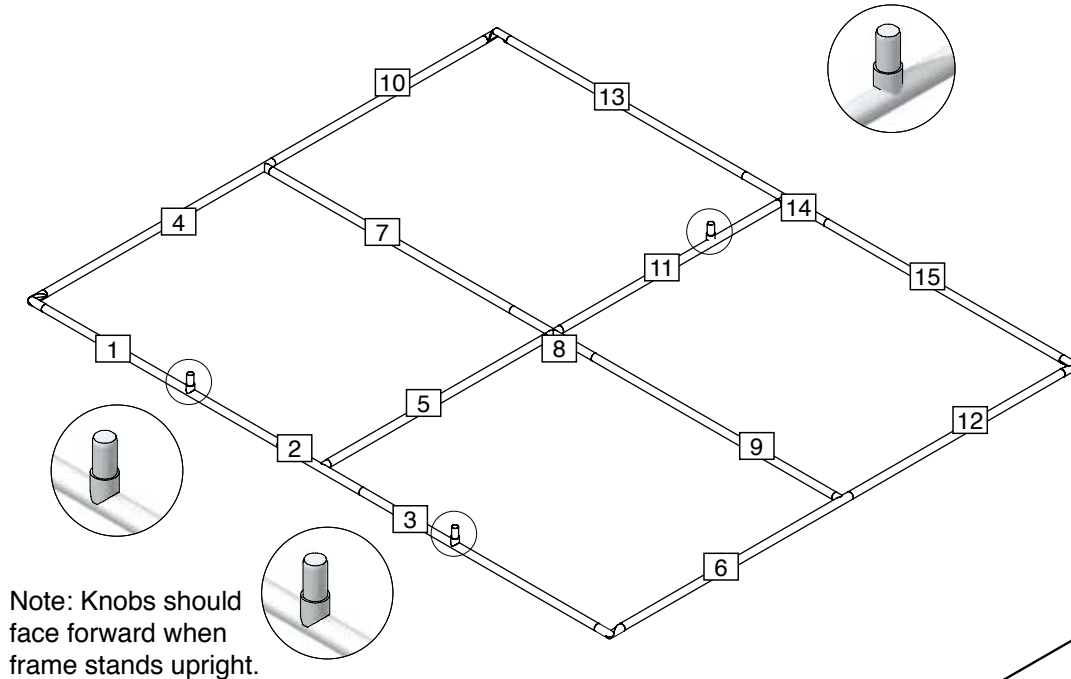
**pulse**

Parts included			
Part Label	Qty	Part Label	Qty
1	x1	11B	x1
2	x1	12B	x1
3	x1	13B	x1
4	x1	14B	x1
5	x1	15B	X1
6	x1	Feet	x2
7	x1	Lights	x2
8	x1	Background graphic	x1
9	x1	Foreground graphic	x1
10	x1	Tool	x1
12	x1		
13	x1		
14	x1		
15	x1		
1B	x1		
2B	x1		
3B	x1		
4B	x1		
5B	x1		
6B	x1		
7B	x1		
8B	x1		
9B	x1		
10B	x1		



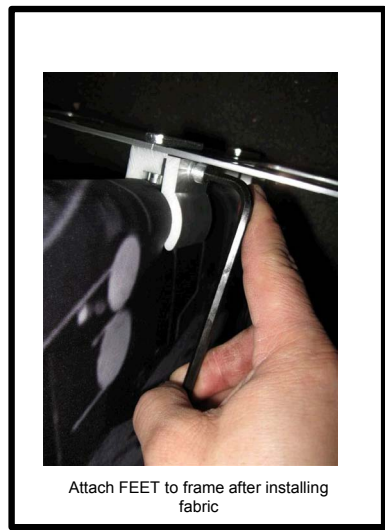
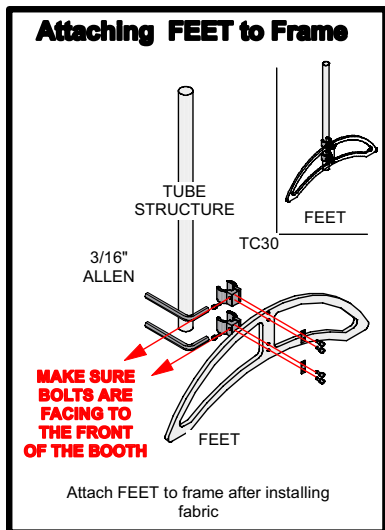
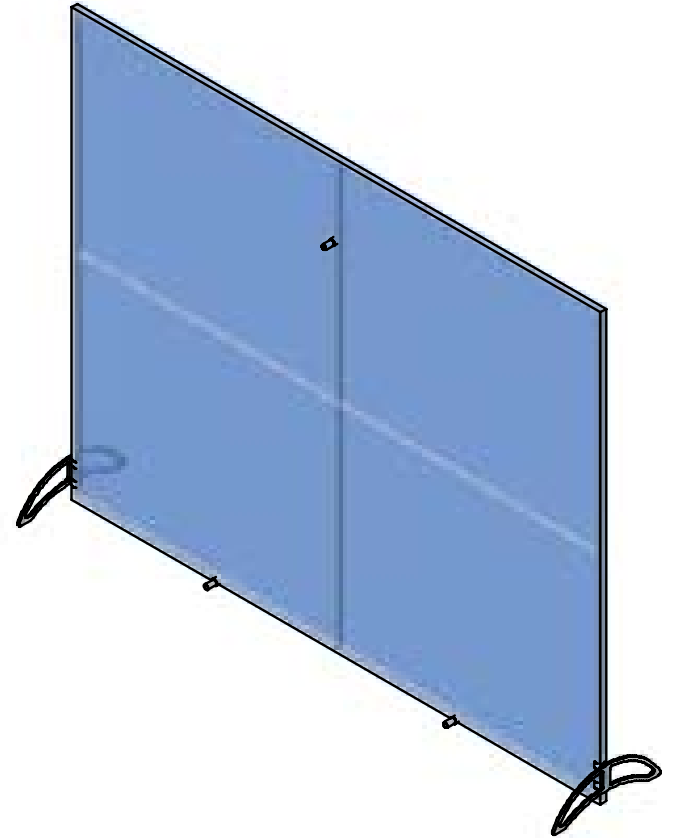
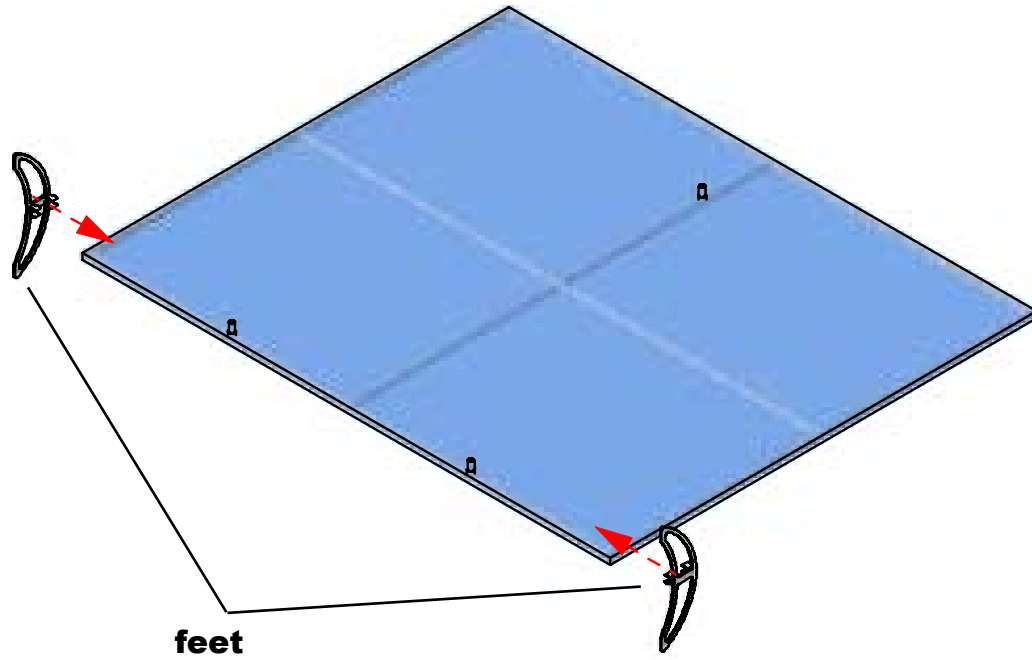
## Step 1. Assemble background frame

Lay pieces out flat and assemble in numerical order as shown. Numbers will be on the back side of the tube. When frame is complete, stretch background graphic over the frame starting at the top. Pull tightly all the way down assuring holes in graphic align with knobs on frame and secure with zipper.



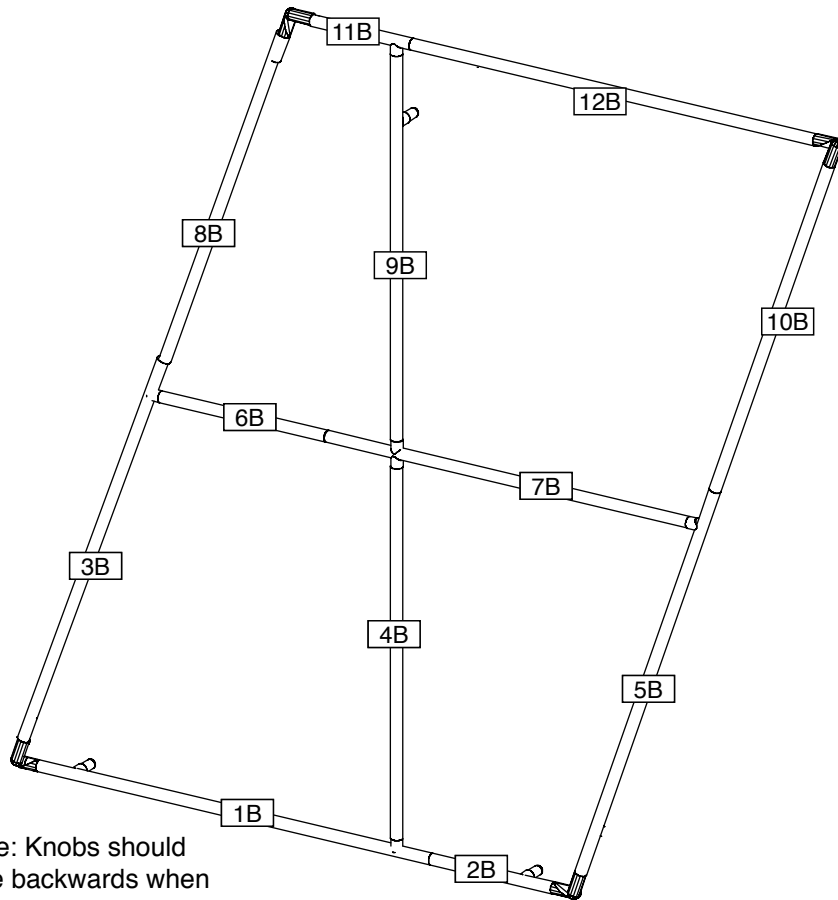
## Step 2.

Attach feet to background frame using details shown below. Stand unit upright. Adjust the height of feet to ensure display is level.

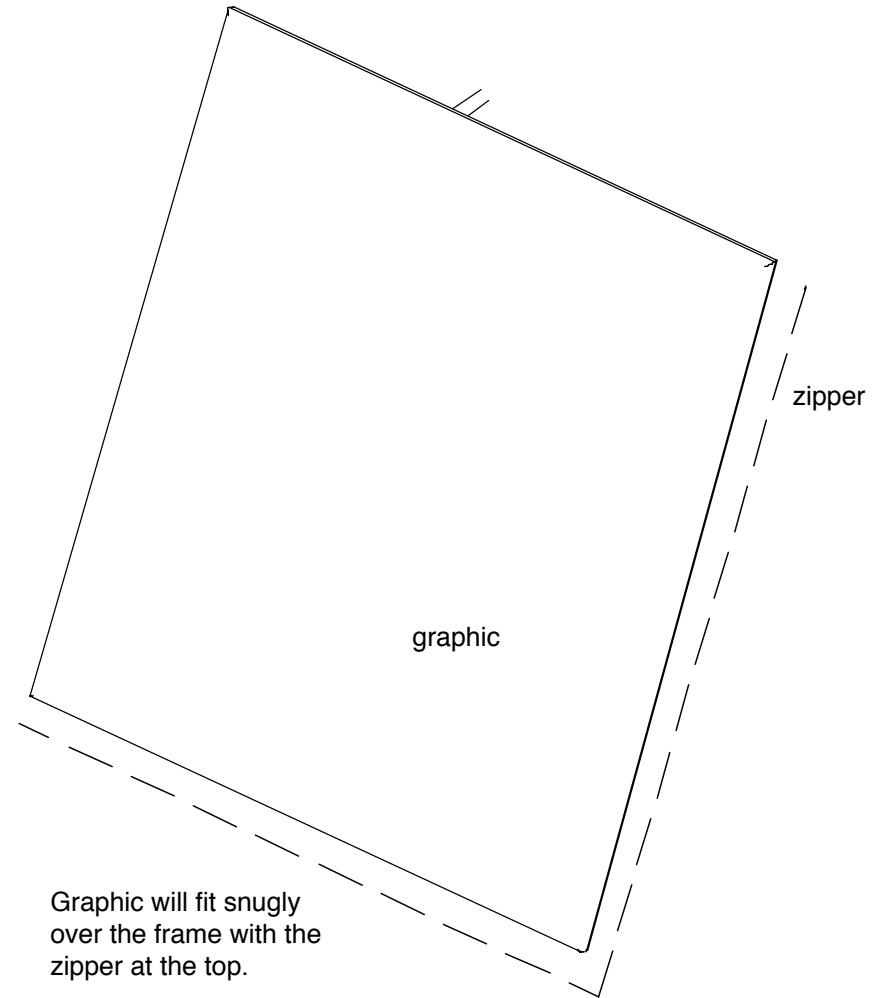
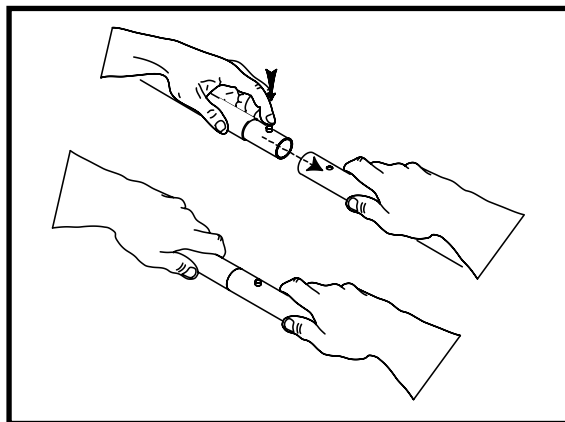


### Step 3. Assemble foreground frame

Lay pieces out flat and assemble in numerical order as shown. Numbers will be on the back side of the tube. When frame is complete, stretch foreground graphic over the frame starting at the top. Pull tightly all the way down assuring holes in graphic align with knobs on frame and secure with zipper.

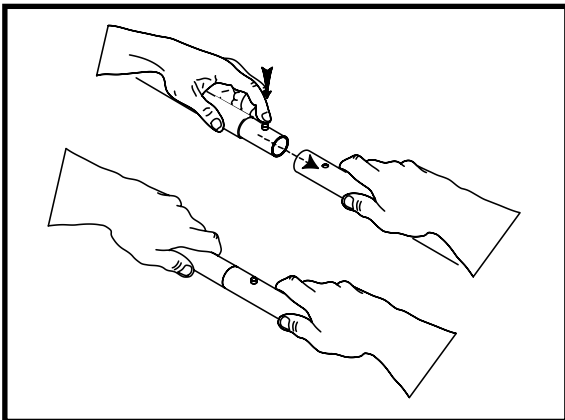
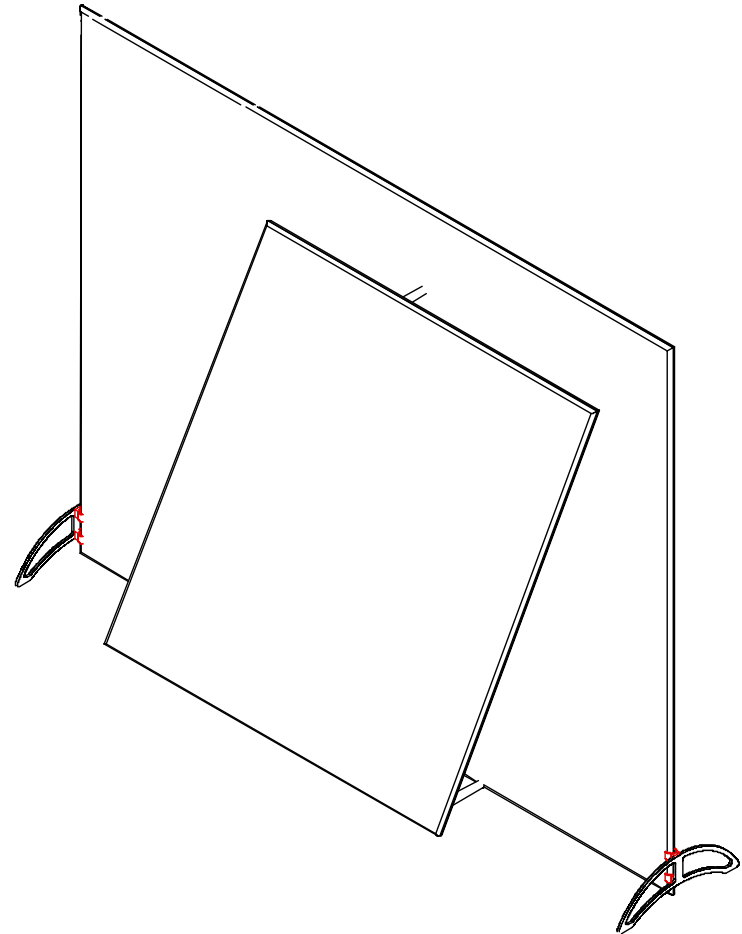
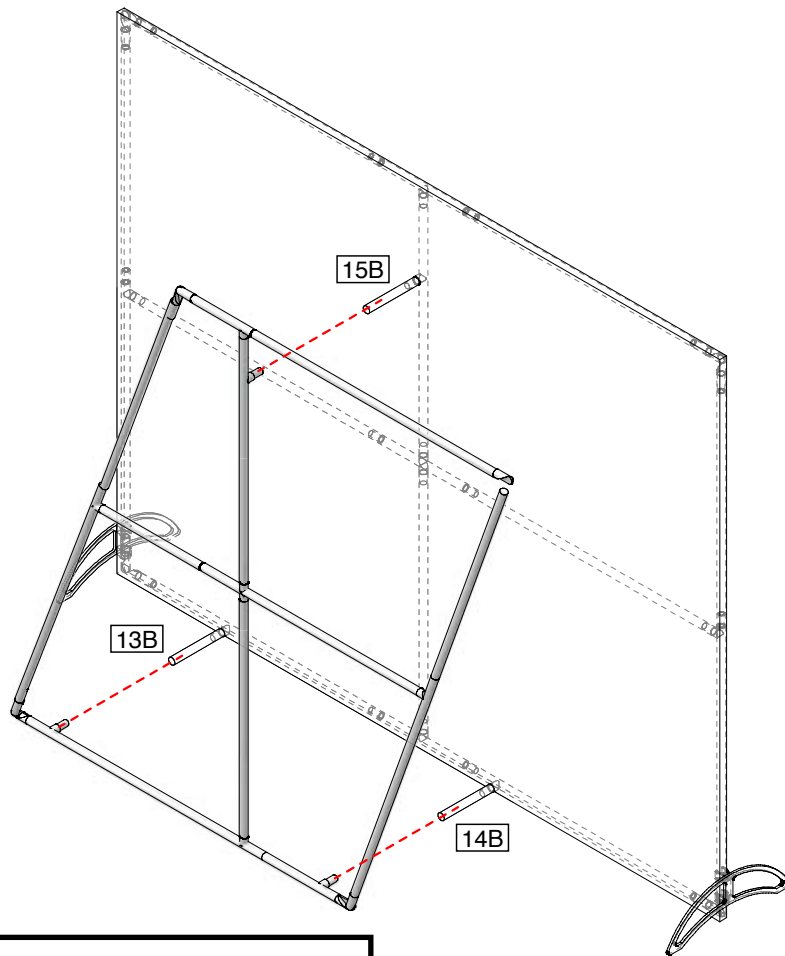


Note: Knobs should face backwards when frame stands upright.



Graphic will fit snugly over the frame with the zipper at the top.

Step 4. Attach foreground frame to background frame  
Attach two units together using 13B, 14B and 15B.



Step 5.  
Attach lights to back frame as detailed in diagram below.

