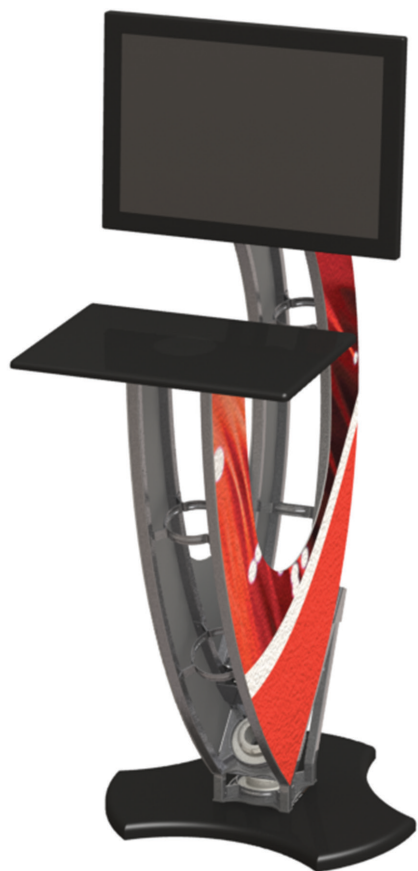


Orbital Truss Kiosk 06

OR-KIOSK-06

Orbital Express™ Truss Kiosks are the perfect way to display media and/or literature at any trade show, event, retail or corporate space. Kiosks complement the Orbital Truss Express line of 10', 20' and 20' x 20' displays. Monitors not included. Kiosk table tops and bases available in choice of four thermoform finishes.





features and benefits:

- Kit Includes:

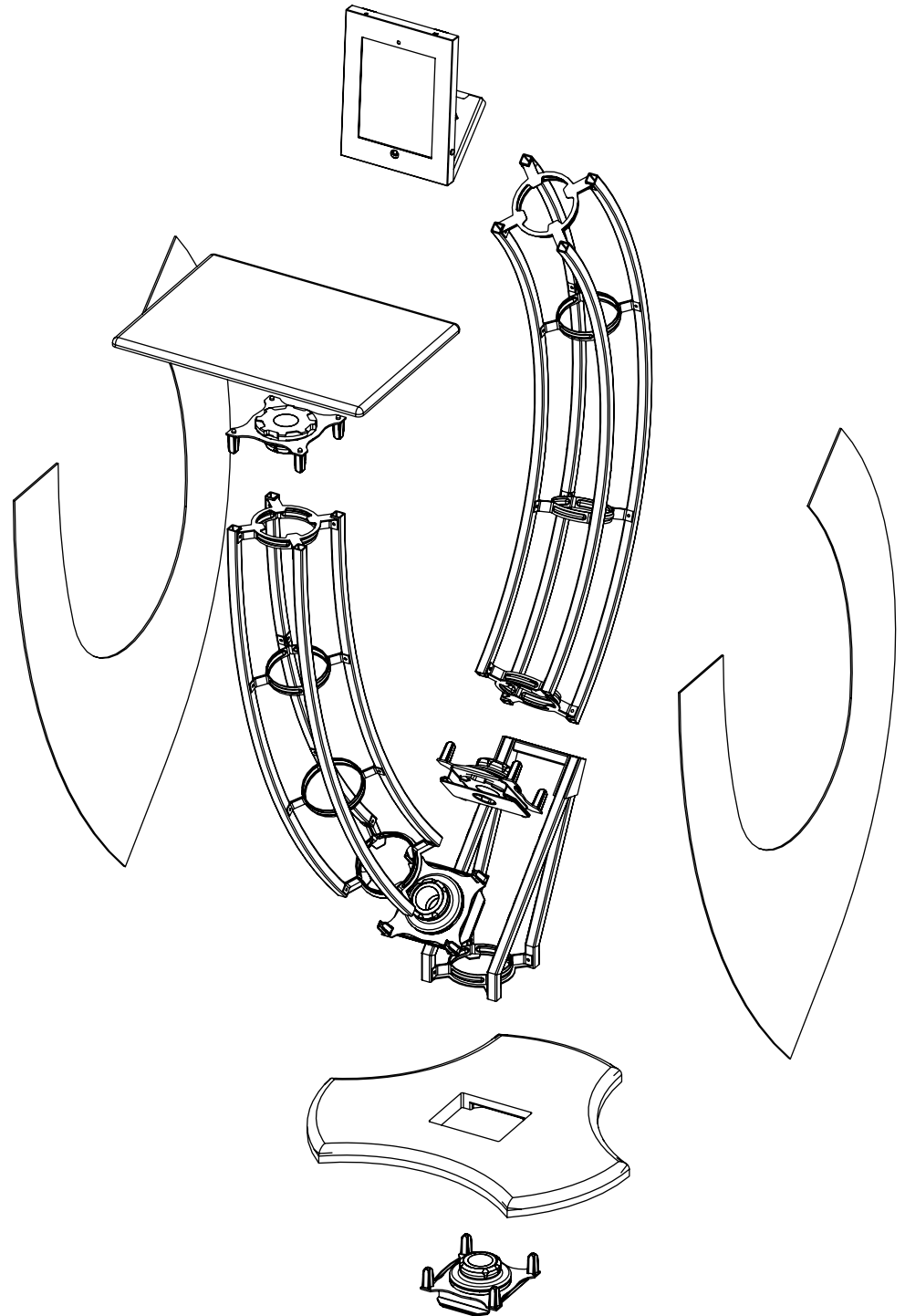
- 1 x 45° Curved truss piece
- 1 x 90° Curved truss piece
- 1 x Finished base
- 1 x Finished counter top
- 1 x Multi-media connector kits
- 2 x Magnetic mounted graphics
- 1 x OCH2 case

- Supports 23" monitor*, max weight = 50 lbs
- Table is 20" w x 14" d
- Base available in four thermoform finishes, shown below
- Five year limited hardware warranty against manufacturer defects

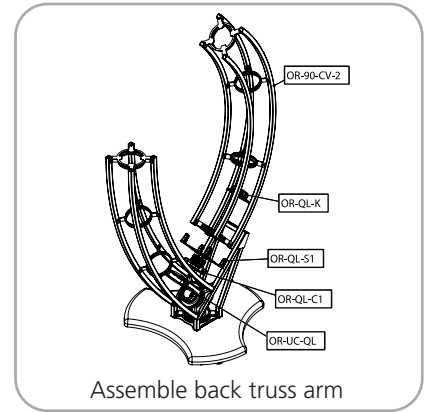
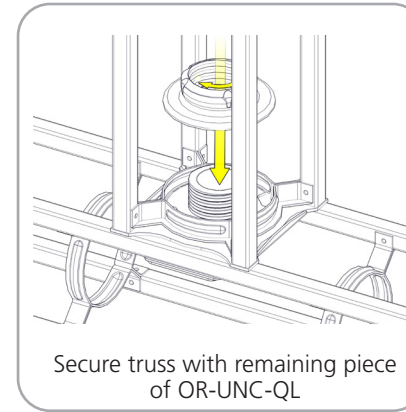
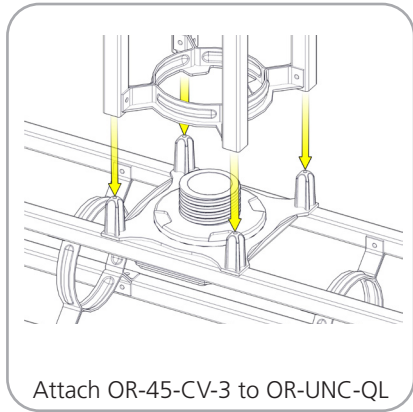
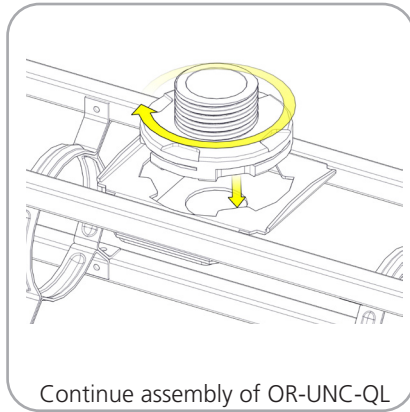
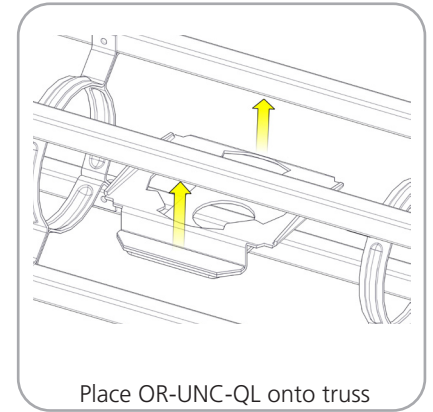
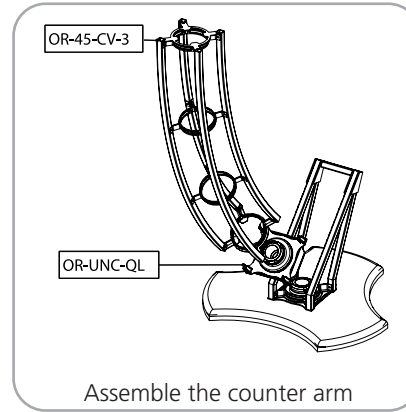
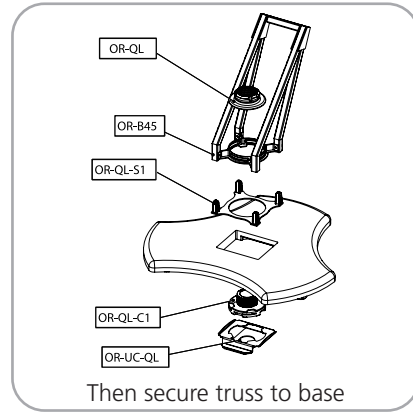
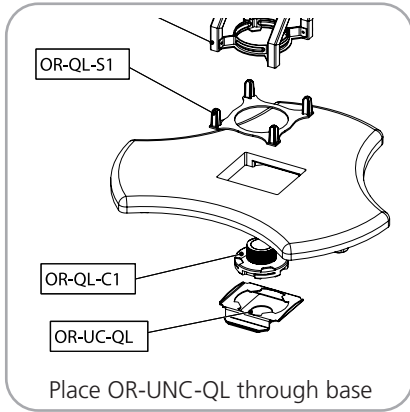
dimensions:

Hardware	Graphics
<p>Assembled unit: 24" w x 56" h x 34" d 609.6mm(w) x 1422.4mm(h) x 863.6mm(d)</p> <p>Table: 20" w x 14" d</p> <p>Weight: 44 lbs / 20 kgs</p>	<p>Total visual area: 29.84" w x 46.84" h 758mm(w) x 1190mm(h)</p> <p>Please be sure to include a 2" bleed around the perimeter</p>
Shipping	additional information:
<p>Shipping dimensions: One OCH2: 50" l x 30" w x 15" h</p> <p>Approximate shipping weight (with case): 80 lbs / 36.3 kgs</p> <p>Keep all packaging materials</p>	<p>Supports 23" monitor*, max weight = 50 lbs</p> <p>*Monitor not included</p> <p>Table / Base colors:</p> <div style="display: flex; justify-content: space-around; align-items: center;"> <div style="text-align: center;">  silver </div> <div style="text-align: center;">  black </div> <div style="text-align: center;">  mahogany </div> <div style="text-align: center;">  natural </div> </div>

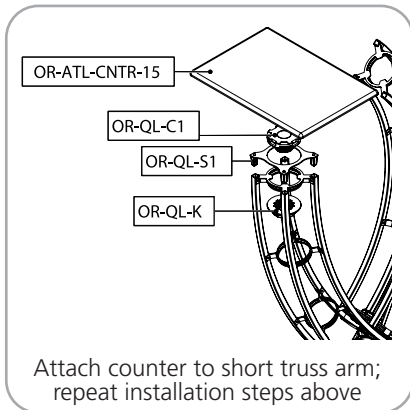
Parts Included		
Part Label	Qty	Part Code
ORBITAL EXPRESS QL 46° CURVED TRUSS	x1	OR-45-CV-2
ORBITAL EXPRESS QL 90° CURVED TRUSS	x2	OR-90-CV-2
ORBITAL ATLANTIS COUNTER 15MM TOP	x1	OR-ATL-CNTR-15
ORBITAL BASE 03	x1	OR-B3
ORBITAL EXPRESS 45 DEGREE BASE LEGS	x1	OR-B45
ORBITAL KIOSK 09 GRAPHIC	x2	OR-KIOSK-06-G
ORBITAL MULTI-MEDIA MOUNTING KIT	x2	OR-MM-KIT
ORBITAL EXPRESS TRUSS TO JUNCTION CONNECTOR KIT	x1	OR-QL-T2J
ONE PIECE UNIVERSAL CONNECTOR FOR ORBITAL EXPRESS QUICK LOCK	x3	OR-UNC-QL



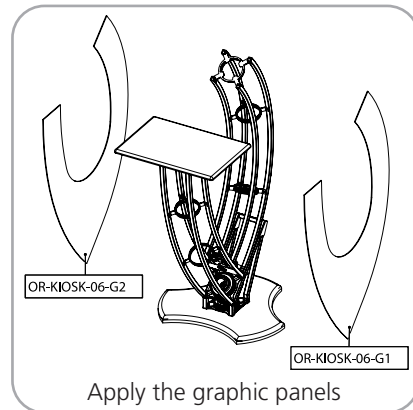
STEP 1: ASSEMBLE FRAME



STEP 3: ATTACH COUNTER



STEP 4: ATTACH GRAPHICS



STEP 5: ATTACH MULTI-MEDIA MOUNT

