

Orbital Truss Kiosk 05

OR-KIOSK-05

Orbital ExpressSM Truss Kiosks are the perfect way to display media and/or literature at any trade show, event, retail or corporate space. Kiosks complement the Orbital Truss Express line of 10', 20' and 20' x 20' displays. Monitors not included. Kiosk table tops and bases available in choice of four thermoform finishes.



features and benefits:

- Kit Includes:
 - 1 x 46" Straight truss piece
 - 1 x Finished base
 - 1 x Multi-media connector kits
 - 1 x Literature rack attachment
 - 1 x OCH2 case
- Supports 23" monitor*, max weight = 50 lbs
- Holds up to 10 pieces of literature
- Base available in four thermoform finishes, shown below
- Five year limited hardware warranty against manufacturer defects

dimensions:

Hardware	Shipping
Assembled unit: 30"w x 68"h x 24"d 762mm(w) x 1727.2mm(h) x 609mm(d)	Shipping dimensions: One OCH2: 50"l x 30"w x 15"h
Weight: 44 lbs / 20 kgs	Approximate shipping weight (with case): 76 lbs / 34.5 kgs
	Keep all packaging materials

additional information:

Supports 23" monitor*, max weight = 50 lbs

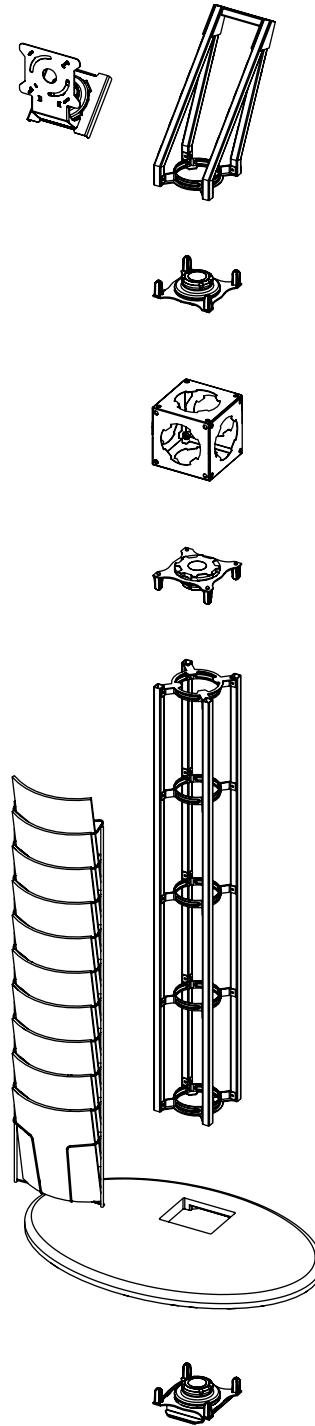
*Monitor not included

Table / Base colors:

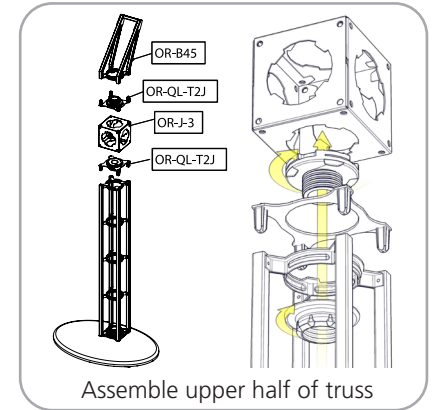
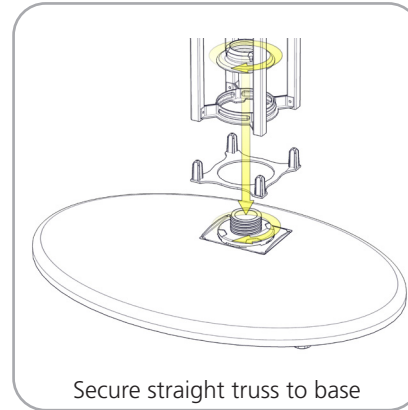
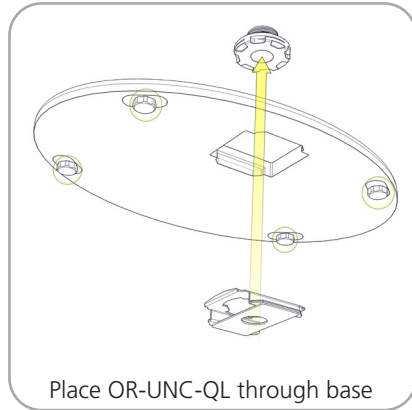
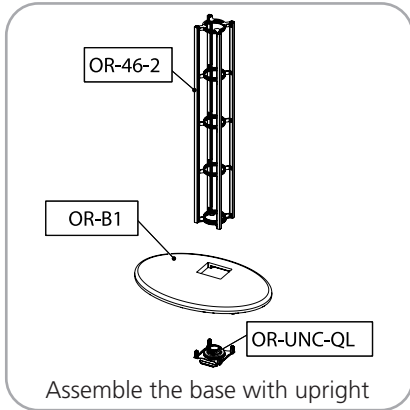


silver black mahogany natural

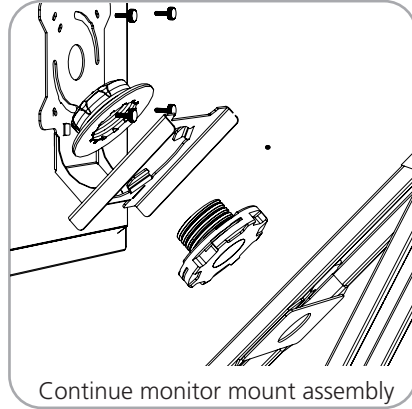
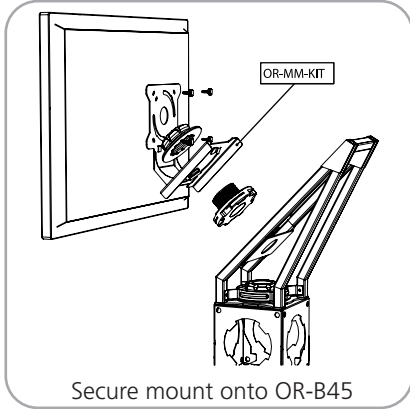
Parts Included		
Part Label	Qty	Part Code
ORBITAL EXPRESS QL 46" STRAIGHT TRUSS	x1	OR-46-2
ORBITAL EXPRESS QL B45	x1	OR-B45
ORBITAL BASE 01	x1	OR-B1
ORBITAL JUNCTION CUBE	x1	OR-J-3
ORBITAL MULTI-MEDIA MOUNTING KIT	x2	OR-MM-KIT
ORBITAL EXPRESS TRUSS TO JUNCTION CONNECTOR KIT	x1	OR-QL-T2J
ORBITAL STRINGER 10 POCKET LITRACK	x1	OR-STG
ONE PIECE UNIVERSAL CONNECTOR FOR ORBITAL EXPRESS QUICK LOCK	x3	OR-UNC-QL



STEP 1: ASSEMBLE FRAME



STEP 2: ATTACH MULTI-MEDIA MOUNT



STEP 3: ATTACH LIT RACK

