

Orbital Truss Kiosk 01

OR-KIOSK-01

Orbital ExpressSM Truss Kiosks are the perfect way to display media and/or literature at any trade show, event, retail or corporate space. Kiosks complement the Orbital Truss Express line of 10', 20' and 20' x 20' displays. Monitors not included. Kiosk table tops and bases available in choice of four thermoform finishes.



features and benefits:

- Kit Includes:
 - 2 x 36" Straight truss lengths
 - 1 x Finished base
 - 1 x Monitor Mount
 - 1 x Truss End Cap
 - 1 x Magnetic Mounted Graphic
 - 1 x OCH2 Case
- Supports 23" monitor*, max weight = 30 lbs
- Top and base available in four thermoform finishes, shown below
- Five year hardware warranty against manufacturer defects

dimensions:

Hardware	Graphic
Assembled unit: 30"w x 73.75"h x 20"d 762mm x 1873.25mm x 508mm	Total visual area: 12"w x 47.25"h x .25"d 305mm(w) x 1200mm(h) x 6mm(d)
Weight (includes graphics): 39 lbs / 17.7 kgs	Please be sure to include 1/2" bleed around the perimeter. Refer to related graphic template for more information.
Shipping	
Shipping dimensions: One OCH2: 50"l x 30"w x 15"h	
Approximate shipping weight (with case): 72 lbs / 32.7 kgs	

additional information:

Graphic material:
6mm white pvc

Supports 23" monitor*, max weight = 30 lbs

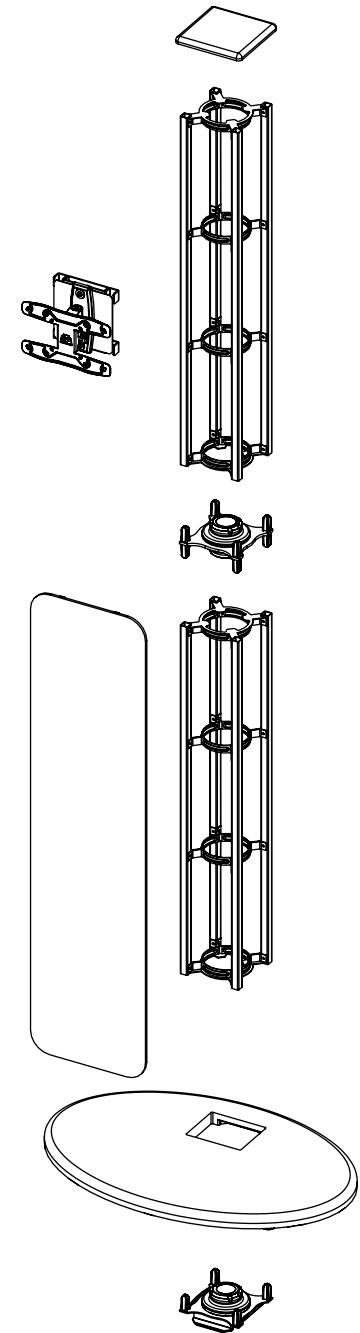
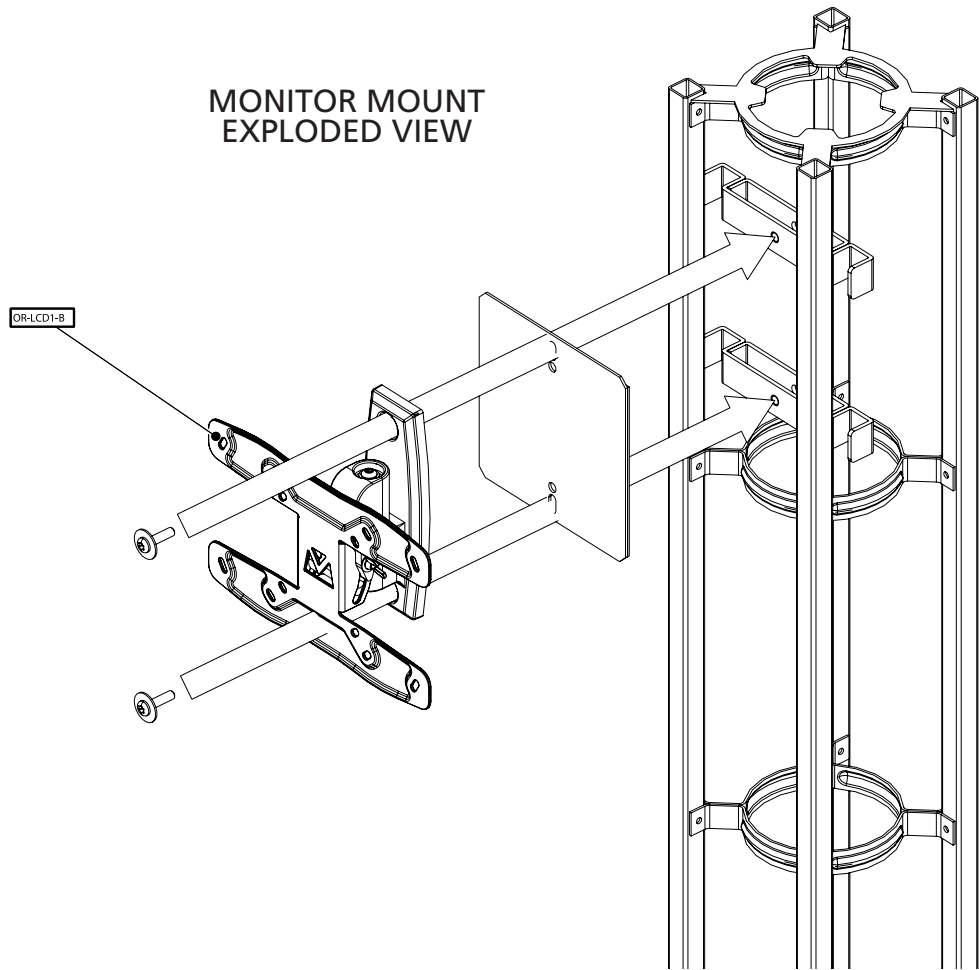
Top/Base colors:



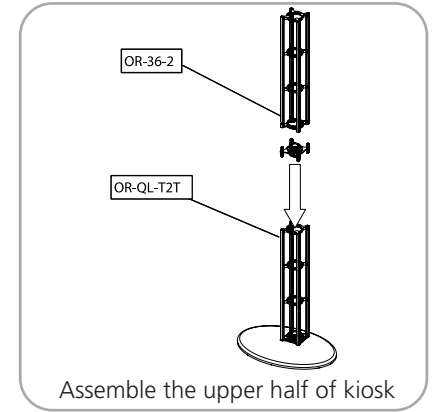
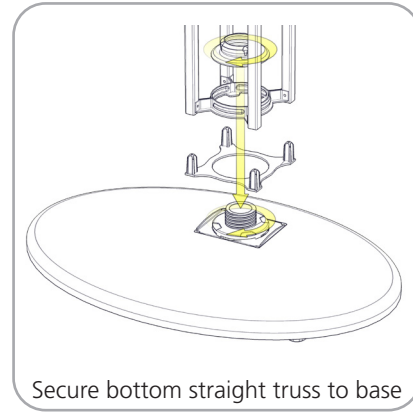
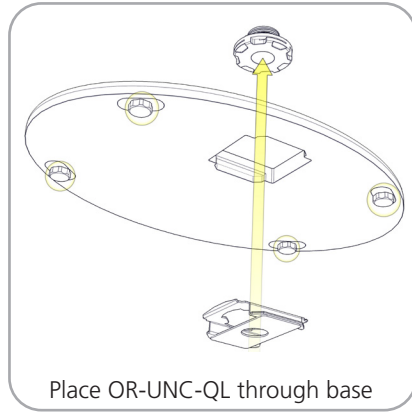
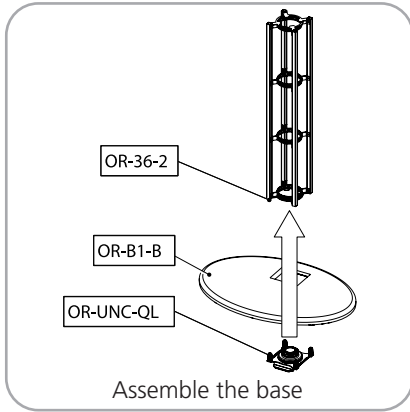
*Monitor not included

Keep all packaging materials

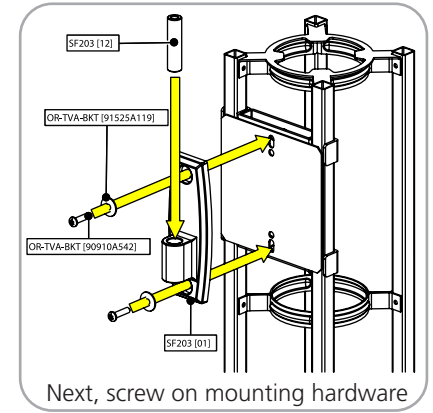
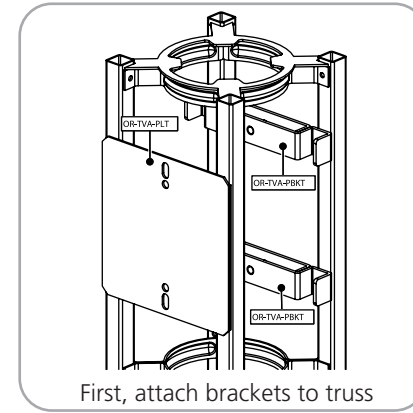
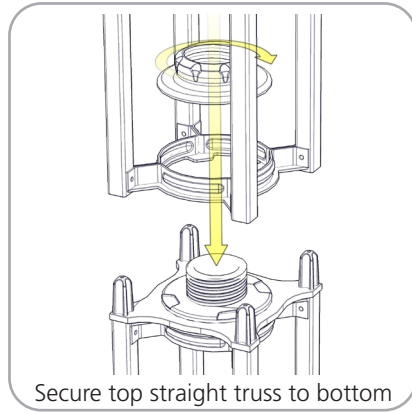
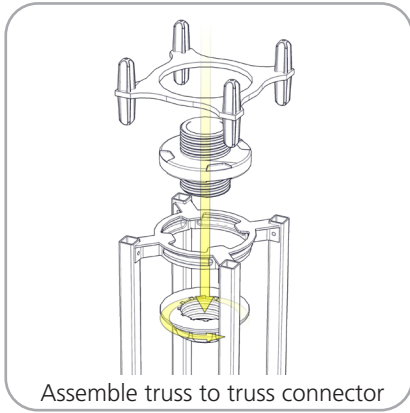
Parts Included		
Part Label	Qty	Part Code
ORBITAL 36" STRAIGHT TRUSS, QL VERSION	x2	OR-36-2
ORBITAL BASE 01	x1	OR-B1
ORBITAL KIOSK 01 GRAPHIC, 11.8"w x 47.25"h x .25"d	x1	OR-KIOSK-01-G
OPTI-MOUNT TILTING MOUNT FOR SMALL (13"-27"; MAX WEIGHT 50 LBS) FLAT PANEL LCD	x1	OR-LCD1-B
ORBITAL EXPRESS TRUSS TO TRUSS CONNECTOR KIT	x1	OR-QL-T2T
ORBITAL TRUSS END CAP, 15MM THICK	x1	OR-TEC-15
ONE PIECE UNIVERSAL CONNECTOR FOR ORBITAL EXPRESS QUICK LOCK	x1	OR-UNC-QL



STEP 1: ASSEMBLE FRAME



STEP 2: ATTACH MONITOR MOUNT TO TRUSS



STEP 3: ATTACH GRAPHIC

