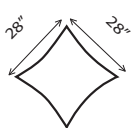
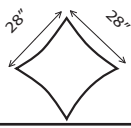
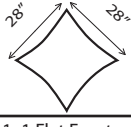
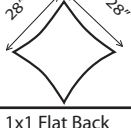
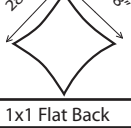
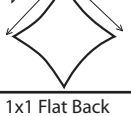
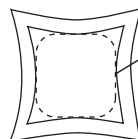


A	Skin	Size	
		28" x 28"	W H
1x1 Flat Front		1x1 Flat Front Shown as it will appear on the Xpressions unit	
B	Skin	Size	
		28" x 28"	W H
1x1 Flat Front		1x1 Flat Front Shown as it will appear on the Xpressions unit	
C	Skin	Size	
		28" x 28"	W H
1x1 Flat Front		1x1 Flat Front Shown as it will appear on the Xpressions unit	
D	Skin	Size	
		28" x 28"	W H
1x1 Flat Back		1x1 Flat Back Shown as it will appear on the Xpressions unit	
E	Skin	Size	
		28" x 28"	W H
1x1 Flat Back		1x1 Flat Back Shown as it will appear on the Xpressions unit	
F	Skin	Size	
		28" x 28"	W H
1x1 Flat Back		1x1 Flat Back Shown as it will appear on the Xpressions unit	

It is recommended that all text and borders be 2" from the finish size



Focus Area Key

focus area is always 3"-5" inside edge of all four sides on all skin styles and sizes

see xpressions-snap.com for details