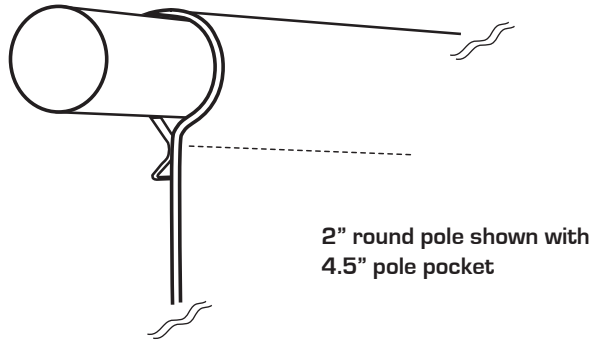


Pole Pocket How-To

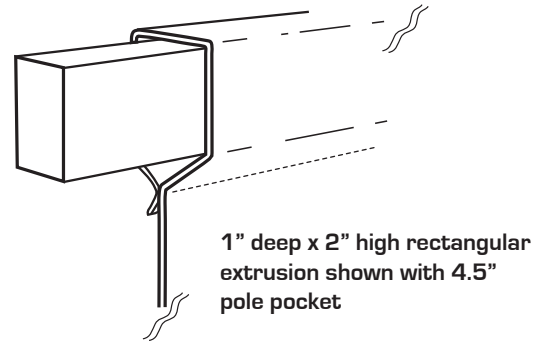
Remember when providing instruction, be specific if you are providing the size of the pole or the pole pocket.
Both Should be provided.

Customer Responsibility: Provide Finished Size **B** and Pole Size.

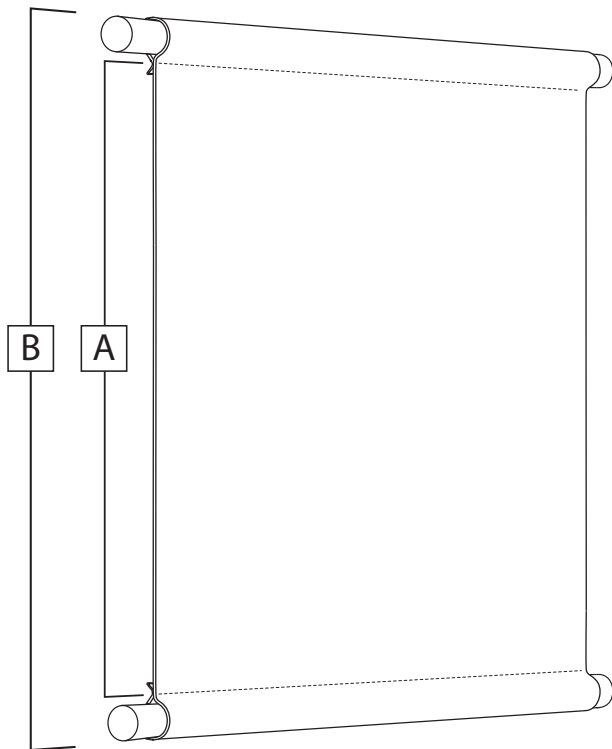
Our Responsibility: Create Print Size **C** Recommend Appropriate Pole Pocket Size.



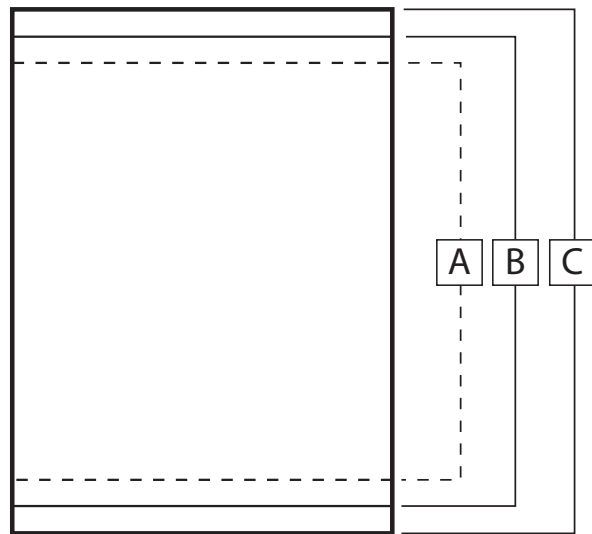
Close Up of Pole and Pole Pocket, Finished Graphic



Close Up of Pole and Pole Pocket, Finished Graphic



Finished Hanging Graphic



Digital Art File for Production of Hanging Graphic

KEY

- A** Sew line
- B** Finished Graphic Design, Supplied By Customer
- C** Print Size, Bleed Added for Pole Pocket

Formula. Using a 2" pole for example:

To determine pocket size, double pole size and then add .5"

$$2" \text{ pole} \times 2 + .5" = 4.5" \text{ pole pocket}$$