



[www.american-image.com](http://www.american-image.com)

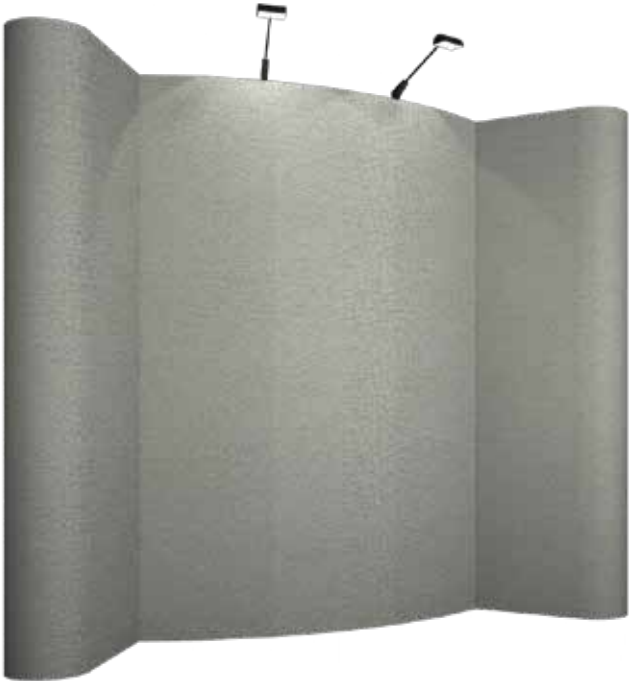
EASY ST display details & setup instructions

**nimlok**®  
authorized distributor

# easy st K49

**K49**

Easy ST is a collection of lightweight, portable fabric panel 10' and 20' exhibit booths. Easy ST systems combine various design options and make assembly and packing quick and easy.



**features and benefits:**

- Velcro and push-pin-friendly fabric panels in your choice of 18 colors
- Each panel is numbered for easy assembly
- Comes with 6 5' gently curved fabric panels, 4 fold flat curved fabric panels, 4 panels, 2 120 watt floodlight, and 2 MCW42 cases and 1 MCA case
- One year limited warranty against all manufacturers defects

**dimensions:**

**Hardware**  
**Assembled unit:** 110" w x 92" h x 24" d  
 2794mm(w) x 2337mm(h) x 610mm(d)

**Approximate weight:** 190 lbs/ 86 kg

**Shipping**  
**Shipping dimensions:**  
 with 2 MCW42 cases and 1 MCA case  
 each MCW42 case - 50"(l) x 29"(w) x 12"(h)  
 1270mm(l) x 737mm(w) x 305mm(h)

**Approximate shipping weight:** (entire kit)  
 242 lbs/ 110 kg

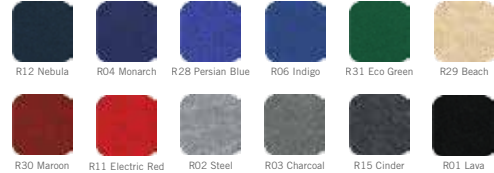
**Panels**

**Fabric color options**

Regal - smooth textured fabric



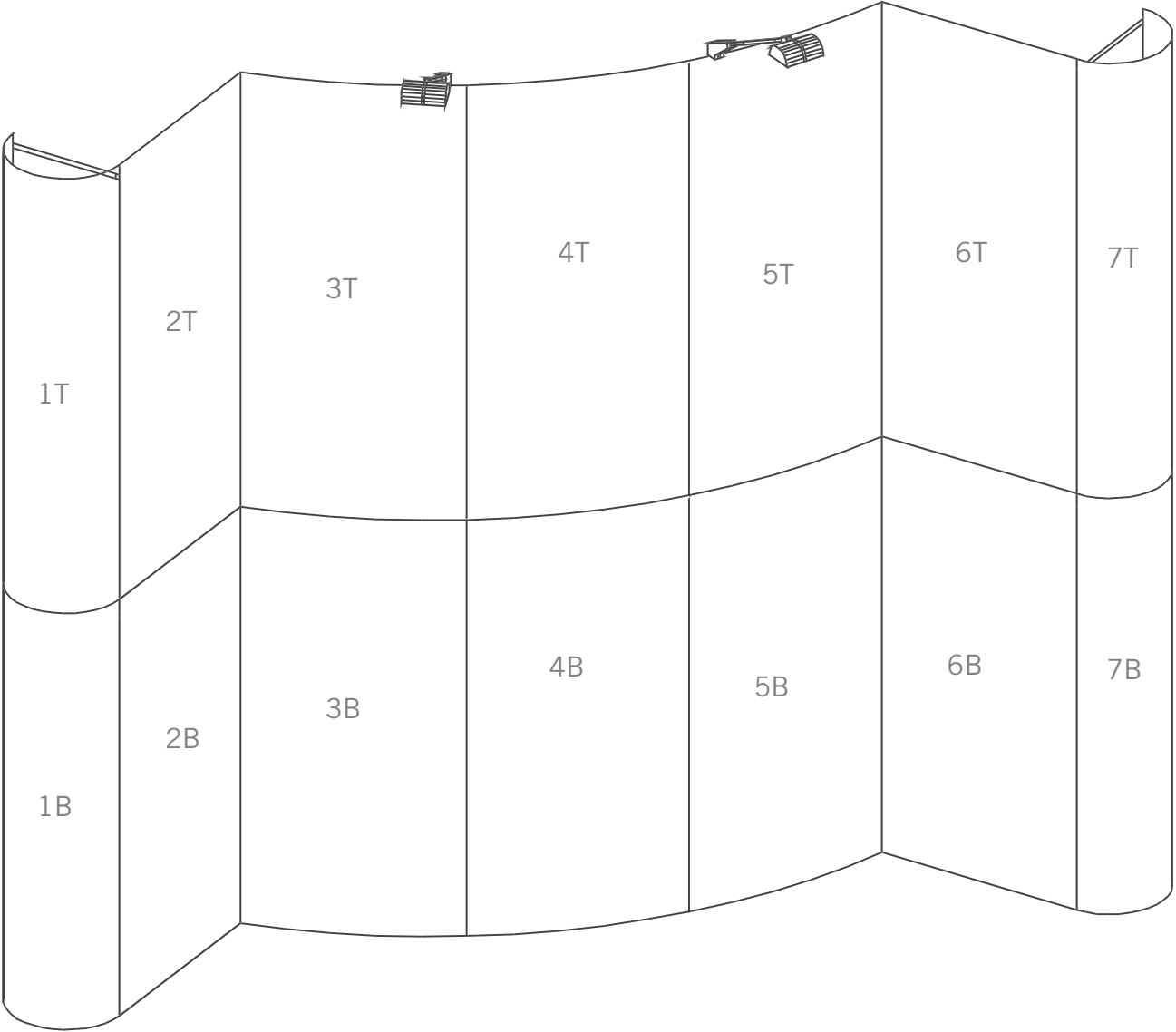
Premier - ribbed textured fabric



**additional information:**

**Lights included:**  
 2 120 watt L10 floodlights

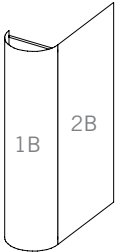




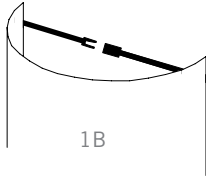
# Set-up



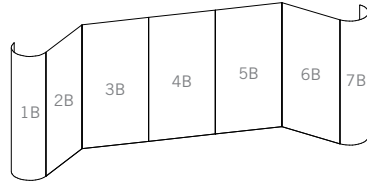
Unpack all panels from the cases. Do not discard the packing material. **1**



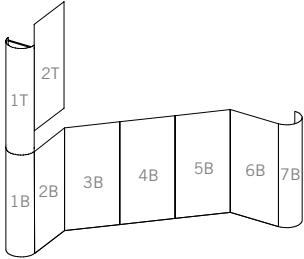
All panels are numbered left to right on the back. Assembly starts from bottom left panel marked 1B (1 Bottom) and continues with panel marked 2B (2 Bottom). **2**



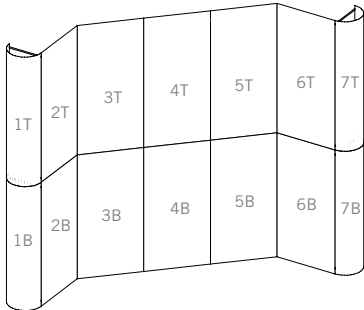
To form a curved panel gently curl the panel and connect the braces. **3**



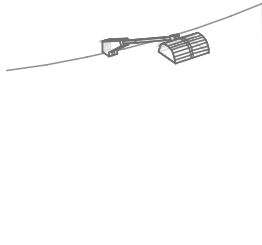
Use page 2 as an angle guide as you continue building the bottom layer. **4**



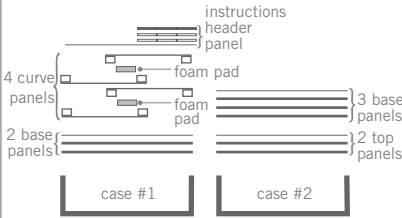
Add the first panel marked 1T (1 Top) into position. Add the second panel, 2T (2 Top) by sliding the aluminum link into the routed portion of panel 1T. Slide panel into position. **5**



Add the remaining top panels until assembly is complete. **6**



Position light fixtures where indicated on the page 2 **7**



Using the example above, repack your exhibit. NOTES: Always use cardboard sheets between panels. Always pack panels fabric to fabric or back to back. **8**