

# Expand BrochurePocket



Bring your message to your target audience.



Use the included super magnets to attach the Expand BrochurePocket to a regular graphic panel as shown on the retractable on the right or use the included brackets to attach the literature pocket to the underside of the Expand PodiumCase top.

### Expand BrochurePocket

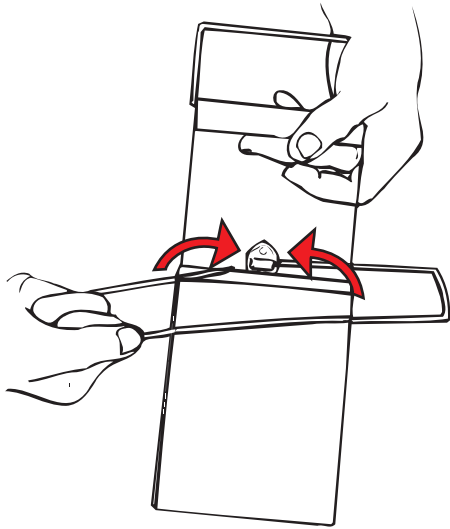
The Expand BrochurePocket is a durable, transparent literature holder that can be attached to our retractable and non-retractable displays as well as our Expand PodiumCase. The Expand BrochurePocket comes with two holders, two sets of super magnets and two brackets (for attaching to the podium top). Simply

attach the pocket to a graphic panel with the supplied super magnets or screw the included bracket to the holes on the underside of the wooden top. You can also link the top of one pocket to the bottom of another and chain them together to hold even more literature.

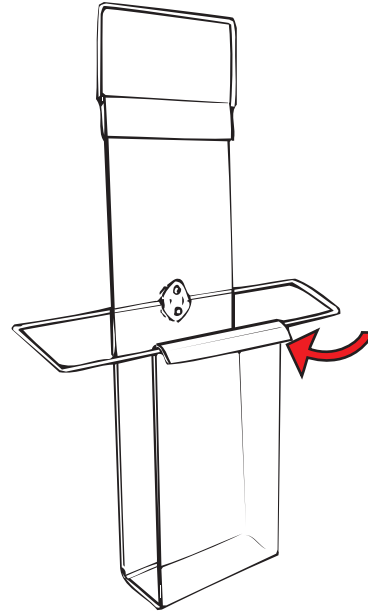
Package Size:  
6 1/2" wide x 12 13/16" high x 3" deep (165 x 326 x 74 mm)

Package Weight:  
1.7 lbs. (770 grams)

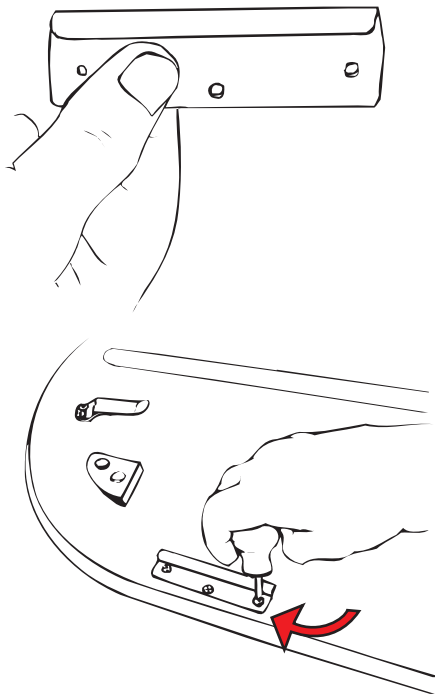
# Expand BrochurePocket Set-up Instruction (for use with the Expand PodiumCase)



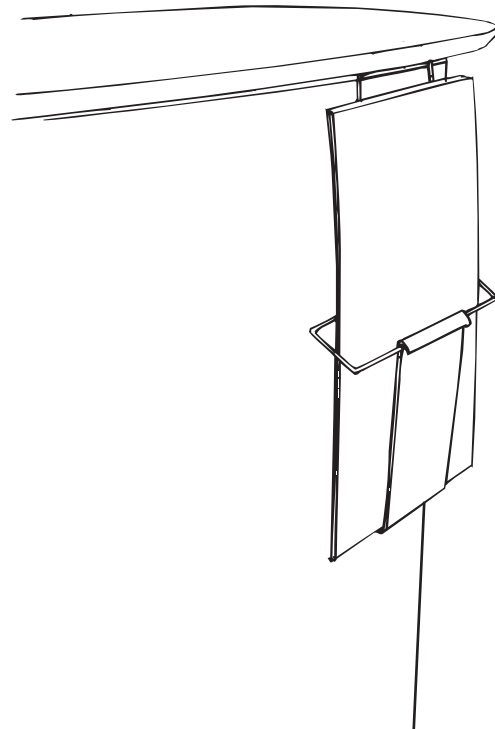
1. Install the metal retainer into the holes on back of the clear plastic pocket.



2. Hook the metal retainer over the outside portion of the plastic pocket.



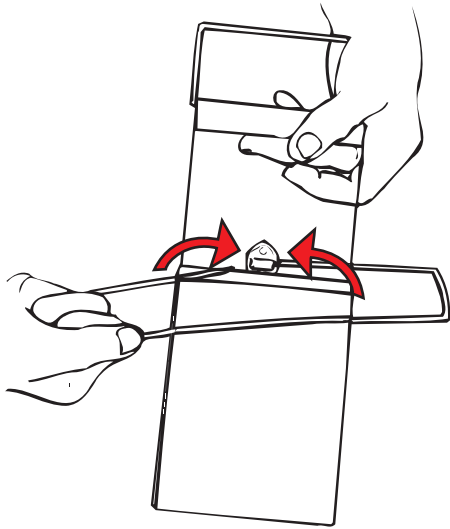
3. Find the predrilled holes on the underside of the wooden Expand PodiumCase top. Using the supplied screws, install the bracket(s) into these holes. **Do not over tighten the screws.**



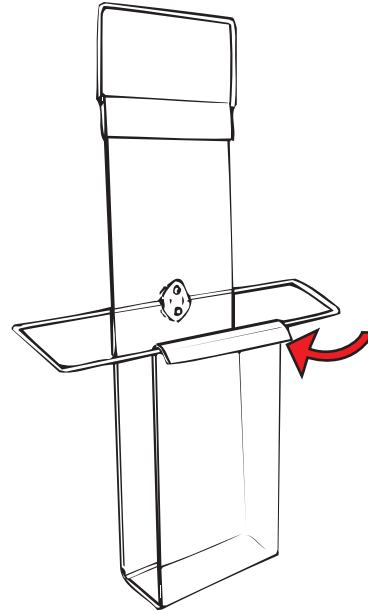
4. Install the top, skirting board and graphic wrap on the Expand PodiumCase. Now you can hang the Expand BrochurePocket from the bracket. Choose the left, the right or both sides!

# Expand BrochurePocket Set-up Instruction

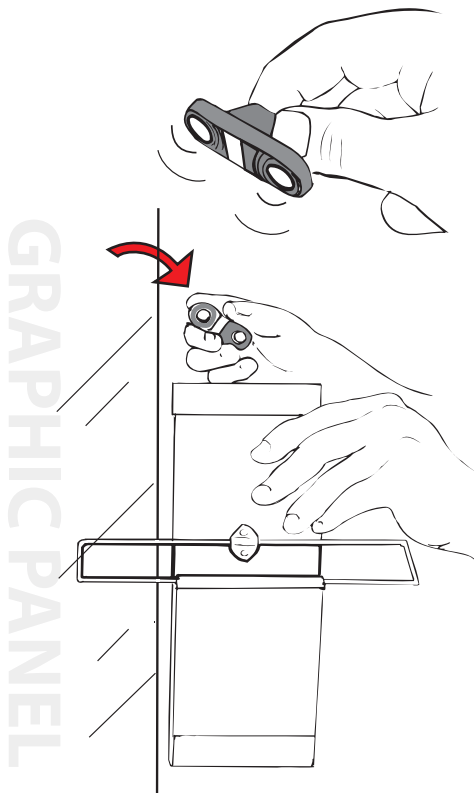
(Universal mounting for use with banner stands)



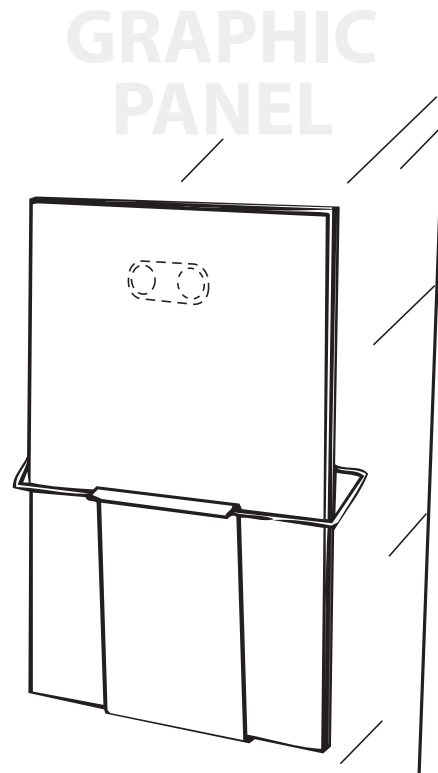
1. Install the metal retainer into the holes on back of the clear plastic pocket.



2. Hook the metal retainer over the outside portion of the plastic pocket.



3. Use the supplied super-magnet(s) to attach the Expand BrochurePocket to the graphic.



4. The Expand BrochurePocket is ready to use, simply add your marketing collateral!