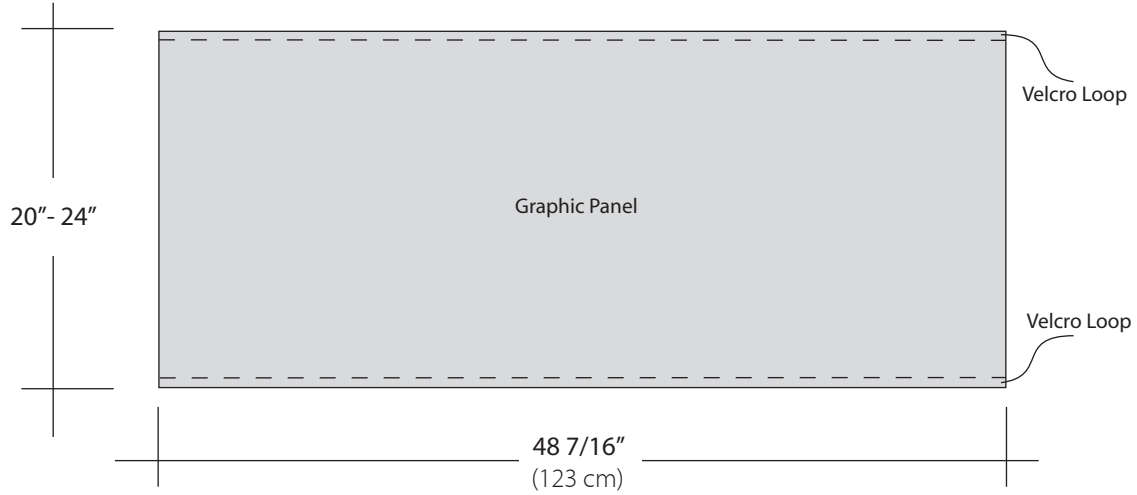


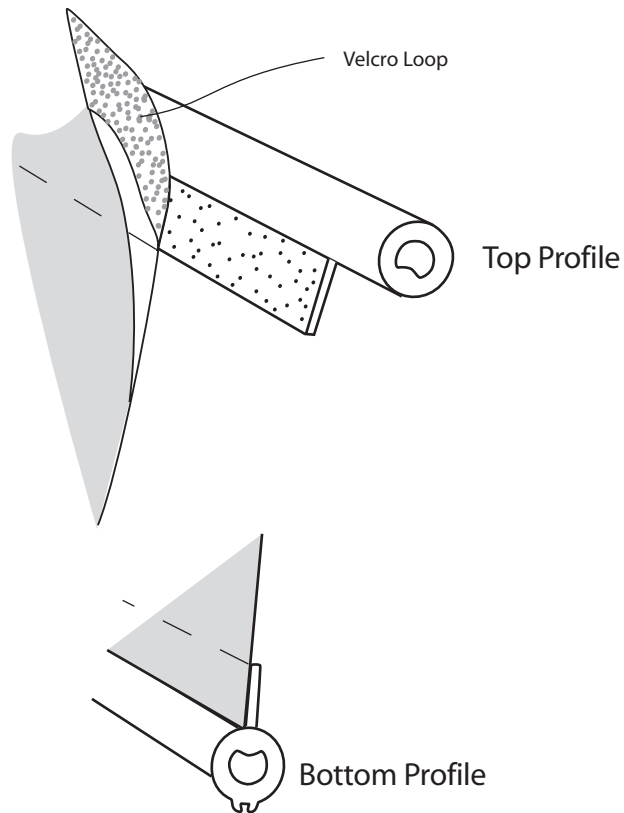
Expand Header Graphic Panel Set-up Instruction

Graphic Panel Set-up Instructions

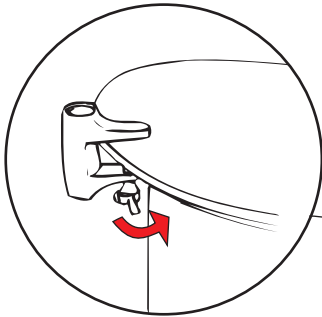
Cut the graphic panel to the size below. Please note, that the height of the graphic panel can vary.
Use the velcro that is included with the Expand Header and attach it to the back side of your graphic panel.



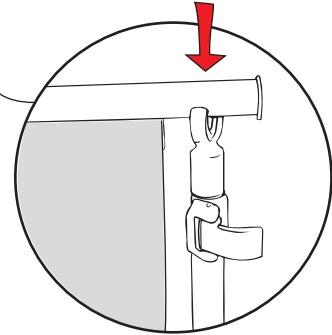
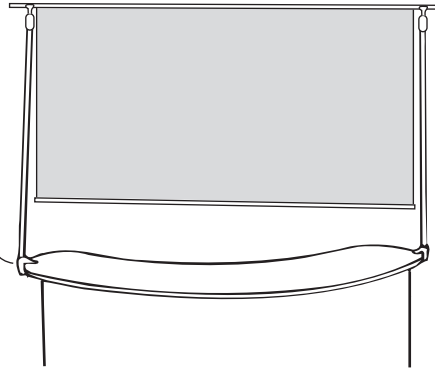
Graphic Panel Attachment



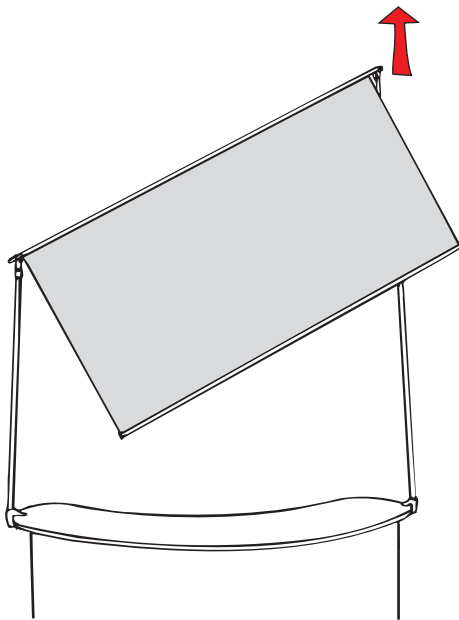
Expand Header Set-up Instruction



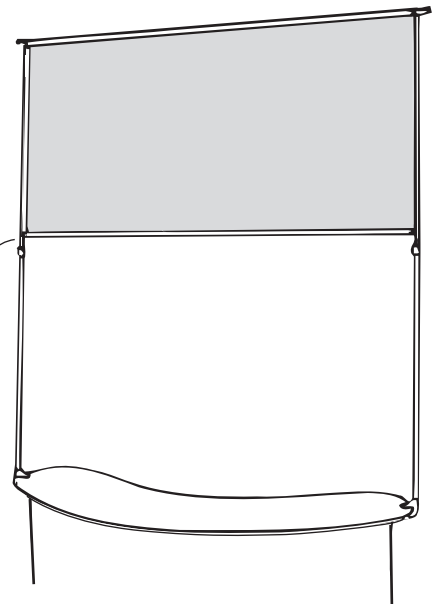
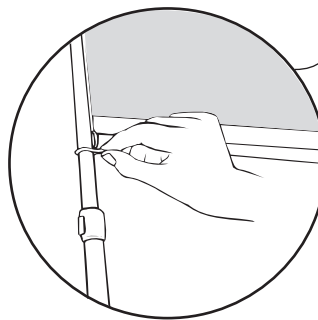
1. After securing the top to the case, attach the chrome connectors to the outer edge of each side of the top. Insert the vertical poles into these connectors.



2. Attach the top profile by inserting it into the grey "U" shaped connector at the top of each pole.



3. Starting with one side, telescope the pole until the header is at the desired height, repeat this step on the other side.



4. To keep the graphic from moving, secure the black rubber band on each pole into the small grey clip on the edge of the bottom profile.