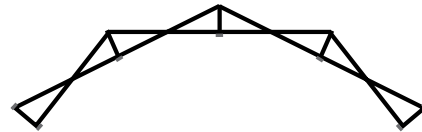
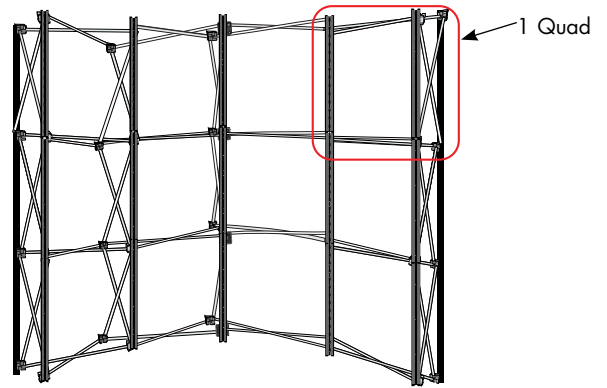
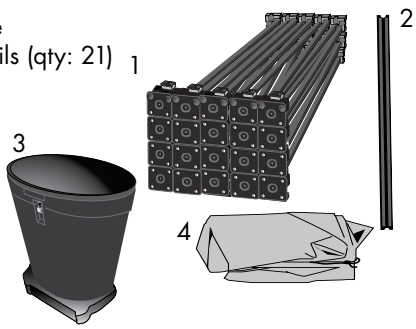


Merchandise Display 12 QUAD_FLOOR

336004 , 336005 , 336008, 336011, 336015,
336017. 336019

336004 Product Parts

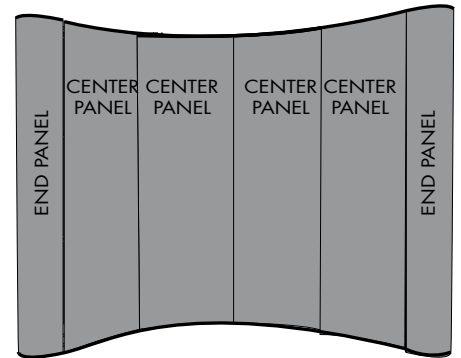
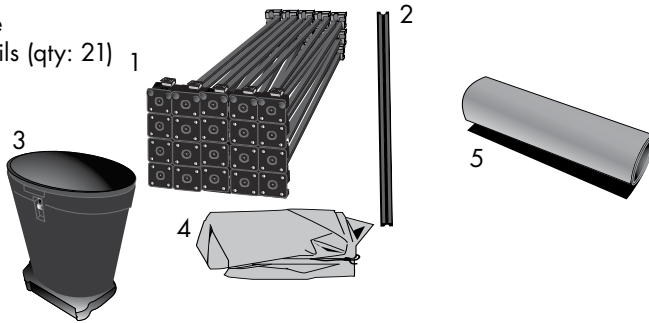
- 1 - 12 Quad Frame
- 2 - Slotted Mag Rails (qty: 21) 1
- 3 - Hard Case
- 4 - Hardware Bag



ALL ITEM #'s USE THIS FRAME

336005 / 336008 Product Parts

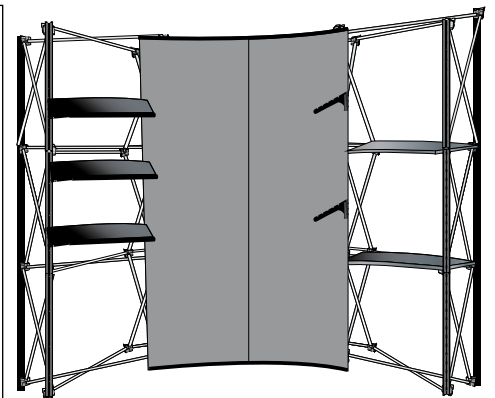
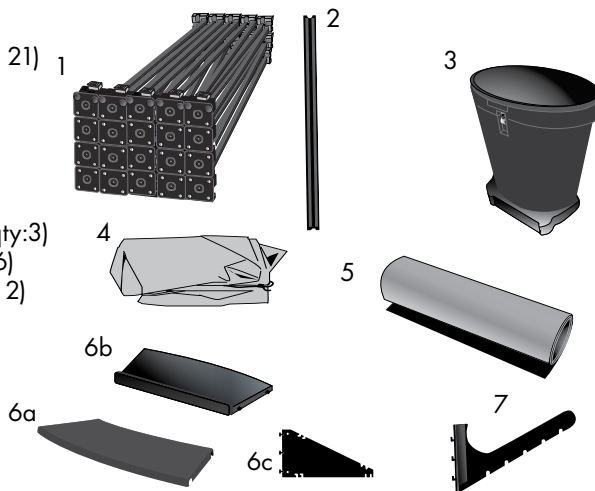
- 1 - 12 Quad Frame
- 2 - Slotted Mag Rails (qty: 21) 1
- 3 - Hard Case
- 4 - Hardware Bag
- 5 - Panels (qty: 6) 3



336005_ (2) END FABRIC (4) CENTER FABRIC
336008_ (2) END GRAPHIC (4) CENTER GRAPHIC

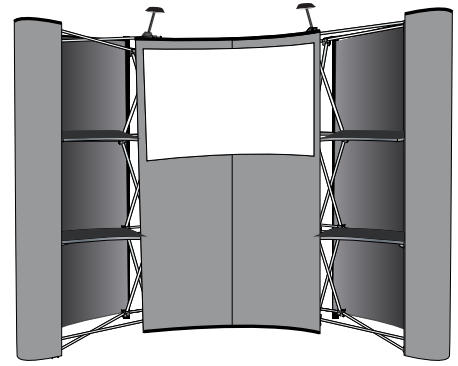
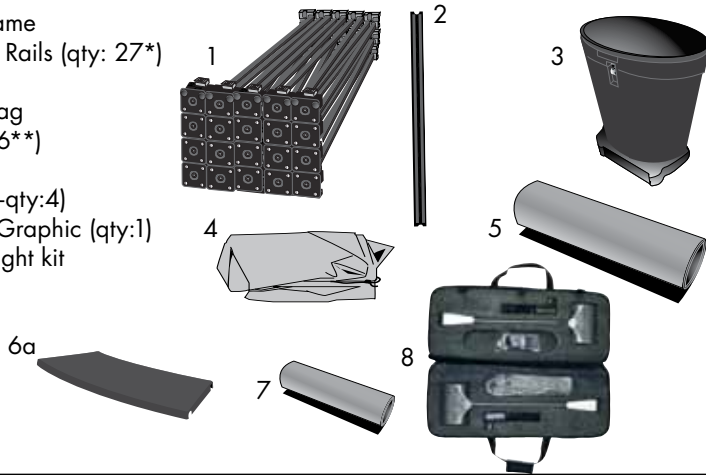
336011 Product Parts

- 1 - 12 Quad Frame
- 2 - Slotted Mag Rails (qty: 21) 1
- 3 - Hard Case
- 4 - Hardware Bag
- 5 - Panels (qty: 2)
- 6 - Shelf
 - (6a. Internal-qty:2)
 - (6b. External with lip-qty:3)
 - (6c. Shelf Bracket-qty:6)
- 7 - Waterfall Bracket (qty: 2)



336015 Product Parts

- 1 - 12 Quad Frame
- 2 - Slotted Mag Rails (qty: 27*)
- 3 - Hard Case
- 4 - Hardware Bag
- 5 - Panels (qty: 6**)
- 6 - Shelf
 - (6a. Internal-qty:4)
- 7 - Detachable Graphic (qty:1)
- 8 - Double LED light kit

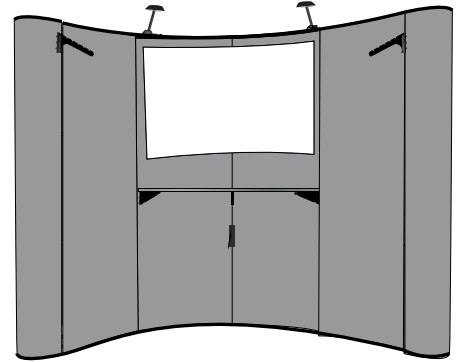


(2) END FABRIC (2) CENTER FABRIC
 (2) BACK FABRIC** _these panels have magnet strip on front vertical sides.

*more slotted mag rails are included in this kit to receive the back fabric panels.

336017 Product Parts

- 1 - 12 Quad Frame
- 2 - Slotted Mag Rails (qty: 21)
- 3 - Hard Case
- 4 - Hardware Bag
- 5 - Panels (qty: 6)
- 6 - Shelf
 - (6b. External with lip-qty:2)
 - (6c. Shelf Bracket-qty:4***)
- 7 - Detachable Graphic (qty:1)
- 8 - Double LED light kit
- 9 - Waterfall Bracket (qty: 3)

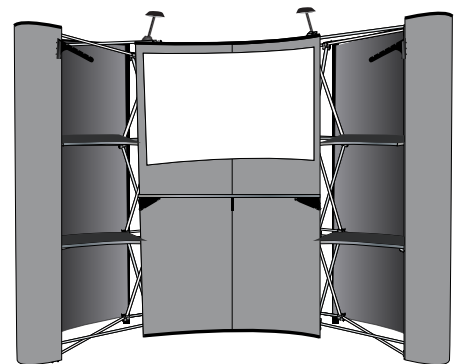


(2) END FABRIC (4) CENTER FABRIC

***one extra bracket provided with kit.

336019 Product Parts

- 1 - 12 Quad Frame
- 2 - Slotted Mag Rails (qty: 27*)
- 3 - Hard Case
- 3b Square Hard Case
- 4 - Hardware Bag
- 5 - Panels (qty: 6**)
- 6 - Shelf
 - (6a. Internal-qty:4)
 - (6b. External with lip-qty:2)
 - (6c. Shelf Bracket-qty:4***)
- 7 - Detachable Graphic (qty:1)
- 8 - Double LED light kit
- 9 - Waterfall Bracket (qty: 2)



(2) END FABRIC (2) CENTER FABRIC
 (2) BACK FABRIC** _these panels have magnet strip on front vertical sides.

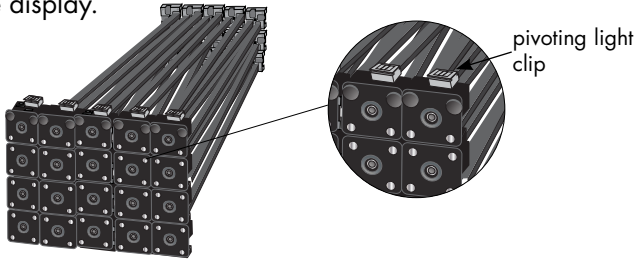
*more slotted mag rails are included in this kit to receive the back fabric panels.

***one extra bracket provided with kit.

Display Set-Up

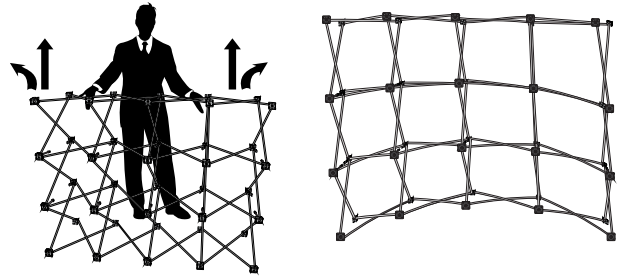
Step 1

Remove all parts from your Hard Case (3) and place on a flat, clean surface. Review the Frame (1) and notice where the pivoting light clips are located. This will determine the TOP of the display.



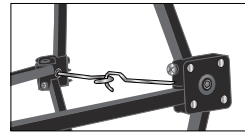
Step 2

Pull the Frame (1) up and out from the corners until it is fully expanded on the floor.



Step 3

Interlock hooks together to secure the Frame (1) in its expanded position.

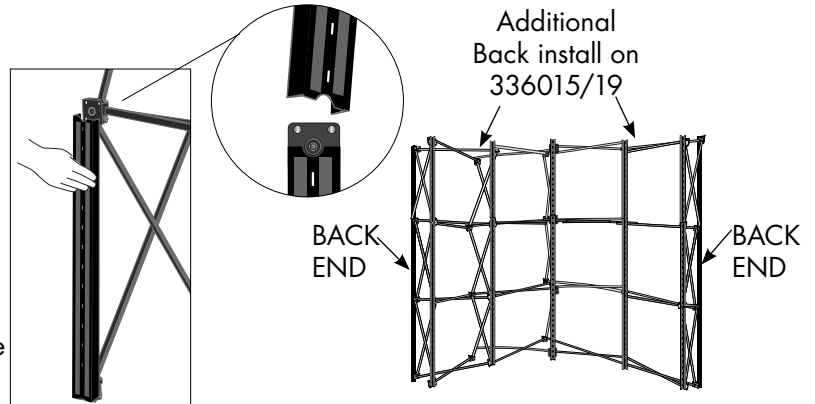


Step 4

With Frame (1) set up and in locked position, you will now be installing all of the Slotted Mag Rails (2). Beginning at the bottom and working up. The Slotted Mag Rails (2) snap into place with the cut out at the top fitting around the circle bump out on the hub of the 12 Quad Frame (1).

Connect the Mag Rails (2) to the Frame (1) on all front connection hubs as well as the back vertical ends.

NOTE: Item#'s 336015&336019 will have Slotted Mag Rails installed on the second vertical back columns-These will receive the (2) back panels.

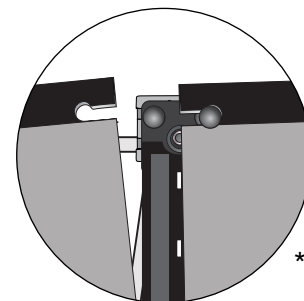
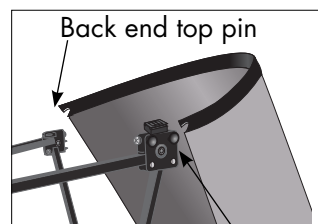


Step 5:

Install any Panels (5) to the Frame. All Panels (5) attach to the Frame by hooking the top notches on the Panels (5) over the pins at the top of the Slotted Mag Rails (2). With top notches secure, slide your hands down each side securing the panel to the vertical magnets.

NOTE: *Back Fabric Panels will have vertical magnets on the front side (the same side as the fabric) as they will attach to the back of the frame with fabric facing toward front.

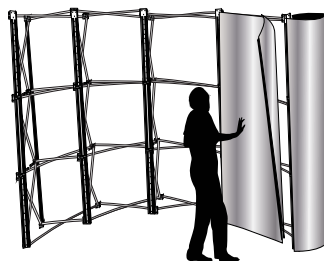
DETAIL VIEWS OF PANEL ATTACHMENTS:



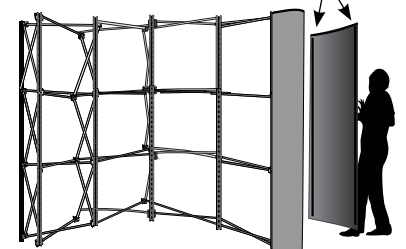
*vertical magnets on the front side



END PANEL



CENTER PANEL



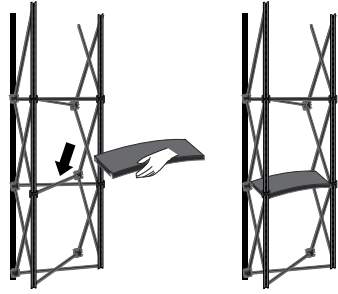
BACK PANEL

Display Set-Up Continued...

Installing Shelving:

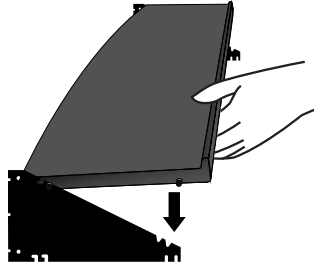
INTERNAL SHELF:

Internal shelves (6a) are installed by being placed over a horizontal scissor location on the hardware of the Frame (1). Place Internal Shelf (6a) (notch side down) over Frame (1) scissor. Verify that the notches have seated properly over the horizontal scissor.



EXTERNAL SHELF continued:

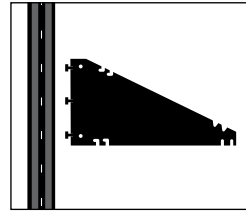
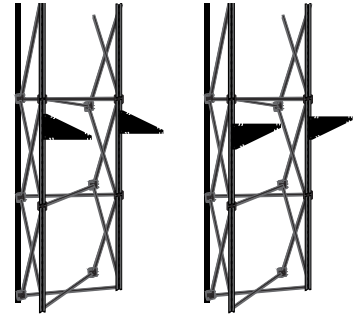
Place rear pins from External Shelf (6b) into rear grooves on Shelf Brackets (6c). Then, Set the front pins from the External Shelf (6b) into the front grooves on the Shelf Brackets (6c).



EXTERNAL SHELF:

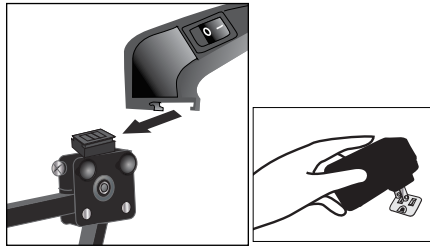
Place the left and right Shelf Brackets (6c) parallel to each other on the frame. NOTE: Shelf Brackets (6c) can be flipped depending on desired shelf orientation. Shelves can either be installed at an angle or horizontal to each other. Brackets attach by notching into Slots on Slotted Mag Rails (2).

NOTE: you may need to pull any installed Panels(5) away from the Frame (1) to expose the slots.



Installing light:

Slide base of light onto light clip that is attached to the Frame (1). Plug light into power source.



WATERFALL BRACKET:

Install Waterfall Brackets (9) by inserting notches on the Brackets into the slots on the Slotted Mag Rails (2). Push down to secure.

NOTE: you may need to pull any installed Panels(5) away from the Frame (1) to expose the slots.



Disassembly Instructions

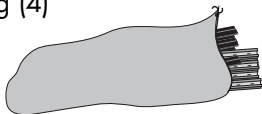
Step 1

Unplug and remove any lights. Return them to the case they came in.



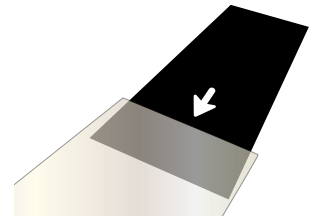
Step 3

Remove all Mag Rails (2) from Frame (1). Collapse and place in hardware bag (4)



Step 2

Remove all Panels (5) from Frame. Place into clear protective sleeves and carefully roll them up graphic/fabric side out. Place rolled Panels (5) into Oval Hard Case (3) as shown in Step 4.



Step 4

Collapse Frame. Place all parts in the open center area inside the shipping case with rolled Panels (5).

