

Formulate C-Shaped Wall

C-WALL

Formulate™ tension fabric conference walls are lightweight, stylish solutions to your meeting space needs. Ergonomically designed, Formulate C-shaped and Serpentine-shaped walls combine the latest developments in fabric printed technology with gently curved 50mm aluminum frames to create private, cozy and stylish conference areas within any space.



features and benefits:

- State-of-the-art 50mm curved aluminum tube frame with sturdy internal spigots
- Perfect for a small table and chairs or benches for seating
- Create a stylish, semi-private space
- Kit includes: one frame, one dye-sublimated zipper pillowcase graphic, and one wheeled molded OCE storage case
- Lifetime hardware warranty against manufacturer defects

dimensions:

Hardware	Graphic
<p>Assembled unit: 89.59"w x 84"h x 60"d 2276mm(w) x 2133mm(h) x 1525mm(d)</p> <p>Approximate weight (includes graphic): 41.61 lbs / 18.8 kg</p>	<p>Total visual area: Inside: 163.7"w x 82.144"h 4249mm(w) x 2086.5mm(h)</p> <p>Outside: 171.4"w x 82.144"h 4353.5mm(w) x 2086.5mm(h)</p> <p>Please be sure to include 5" bleed around the perimeter.</p>
<p>Shipping</p> <p>Shipping dimensions: 1 OCE case: 18"l x 18"w x 40" up to 66"h 457mm(l) x 457mm(w) x 1016mm(h) up to 1675mm(h)</p> <p>Approximate shipping weight (with case): 62.61 lbs / 28.4 kg</p>	<p>Refer to related graphic template for more information.</p>

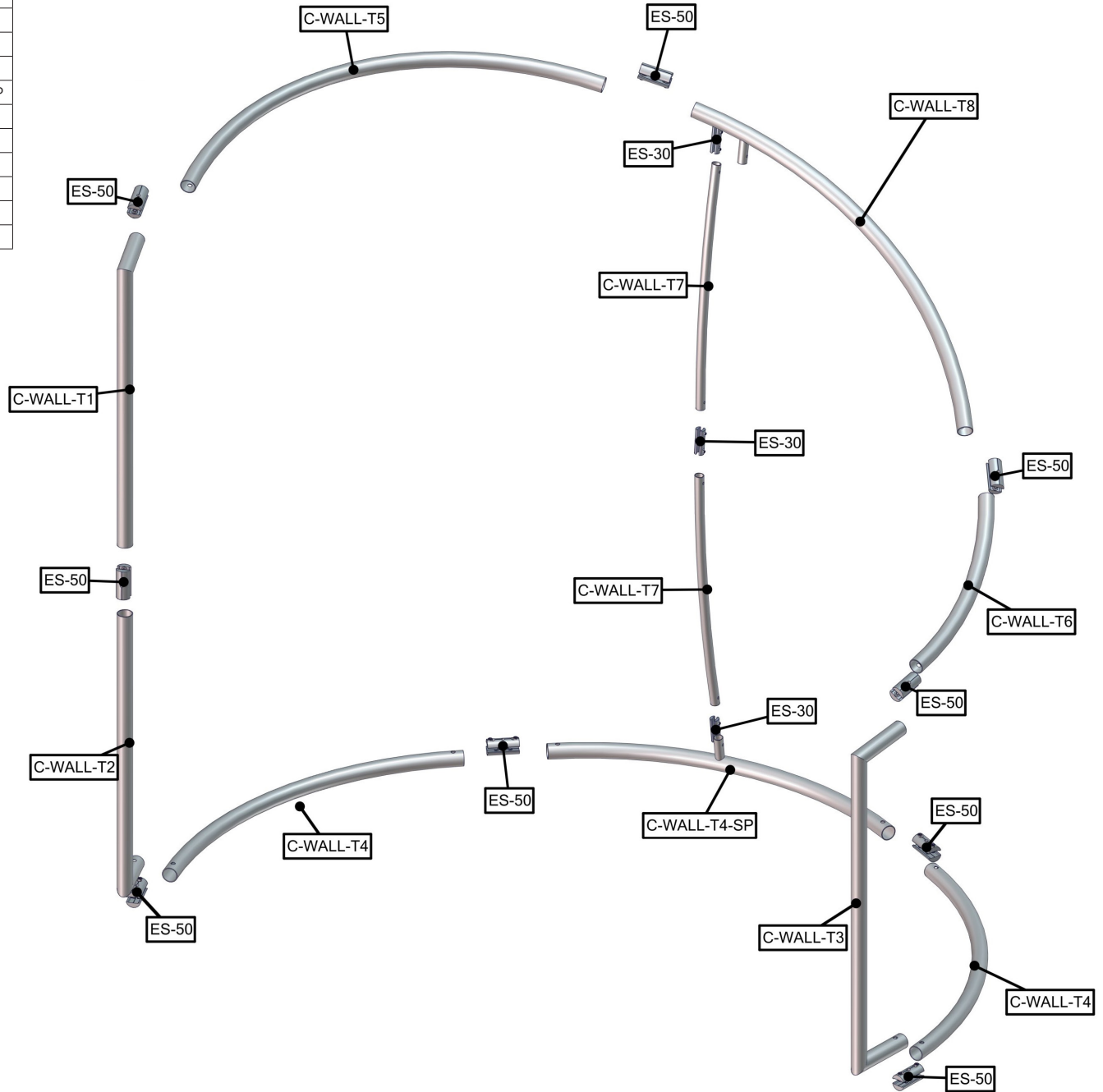
additional information:

Graphic material:
Dye-sublimated zipper pillowcase fabric



We are continually improving and modifying our product range and reserve the right to vary the specifications without prior notice. All dimensions and weights quoted are approximate and we accept no responsibility for variance. E&OE. See Graphic Templates for graphic bleed specifications.

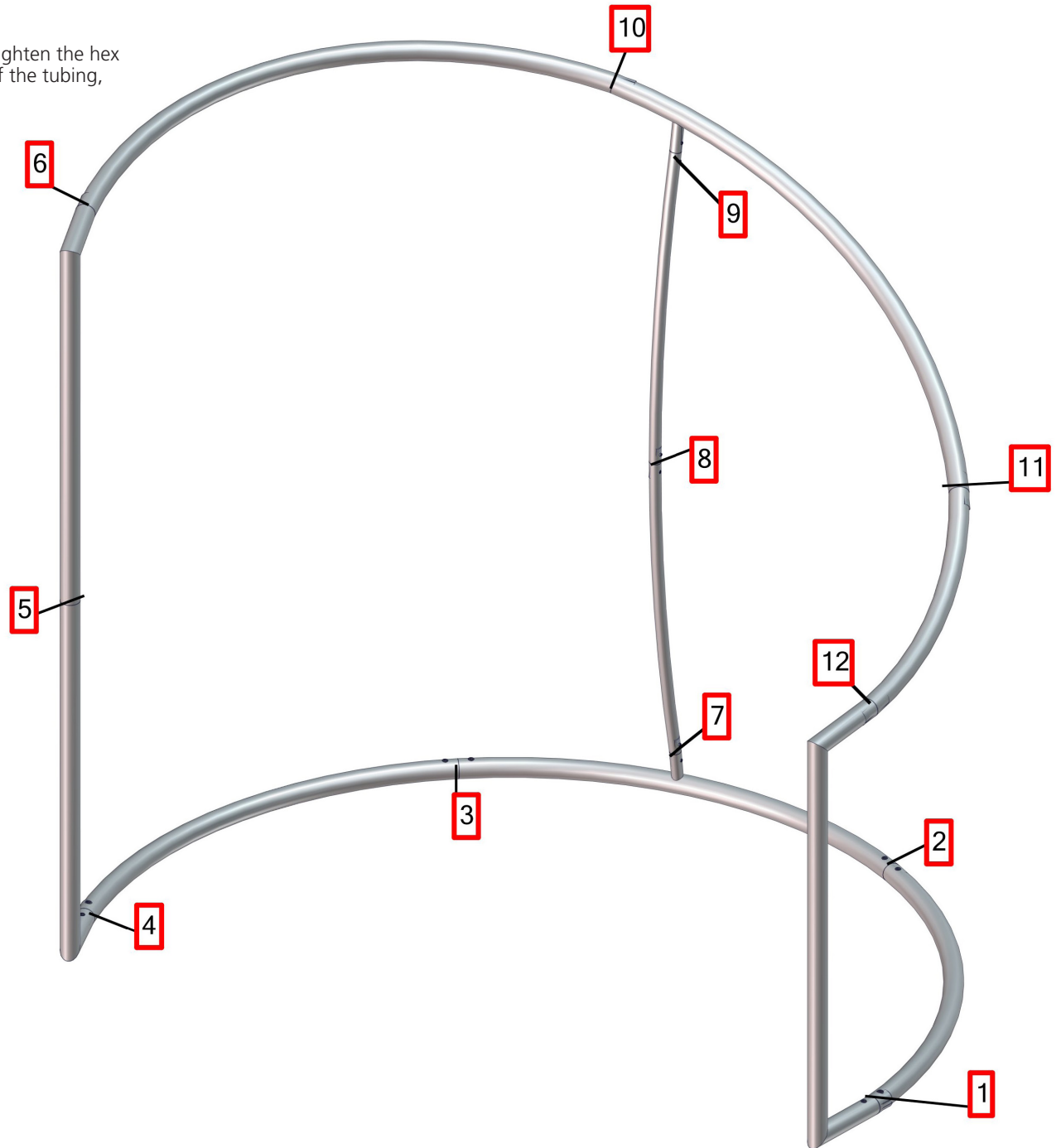
Parts Included		
Part Label	Qty	Part Code
50MM CURVE WITH SPREADER	x1	C-WALL-T8
50MM CURVED TUBE	x1	C-WALL-T5
50MM CURVE	x1	C-WALL-T6
30MM SPREADER	x2	C-WALL-T7
50MM CURVED TUBE	x2	C-WALL-T4
50MM CURVED TUBE WITH SPREADER	x1	C-WALL-T4-SP
50MM CORNER SECTION	x1	C-WALL-T3
50MM CORNER BOTTOM	x1	C-WALL-T2
50MM CORNER TOP	x1	C-WALL-T1
EXPANDING SPIGOT FOR 30MM TUBE	x3	ES-30
EXPANDING SPIGOT FOR 50MM TUBE	x9	ES-50
C-SHAPED WALL FABRIC GRAPHIC	x1	C-WALL-G



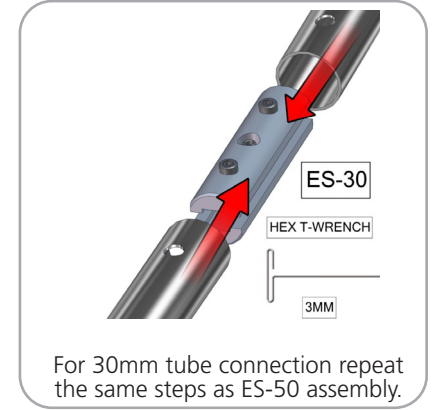
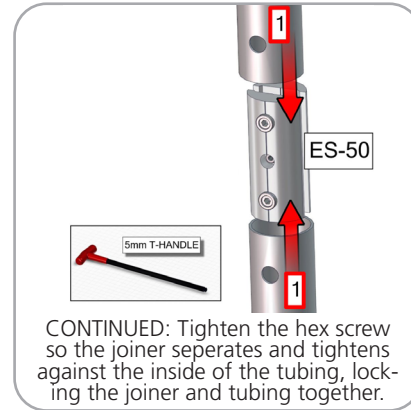
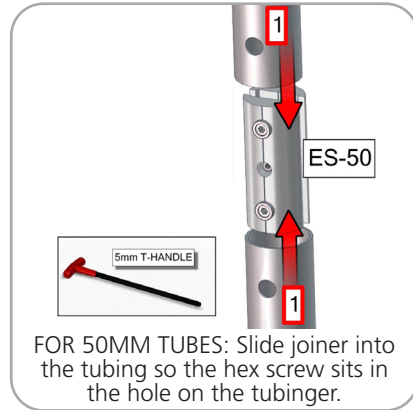
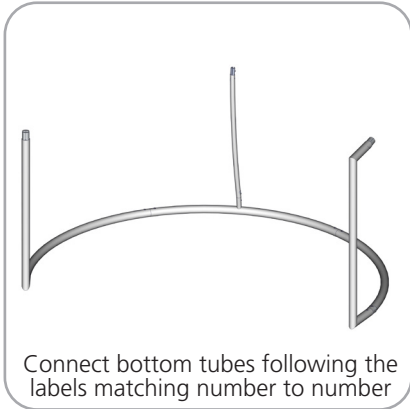
C-WALL FRAME ASSEMBLY:

Assemble unit by laying tubes flat on the floor. Connect the tube rails following the labels by matching number to number.

Slide joiner into tubing so hex screw sits in hole on tubing. Tighten the hex screw so the joiner separates and tightens against the inside of the tubing, locking the joiner and tubing together.



STEP 1: ASSEMBLE FRAME



STEP 2: ATTACH GRAPHIC

